

FLOOR PLAN 1/4" = 1'-0" **1**

18048.20003

CONTRACT DATE:
 BUILDING TYPE: END. MED40
 PLAN VERSION: MARCH 2020
 SITE NUMBER: 314443
 STORE NUMBER: #000000

TACO BELL

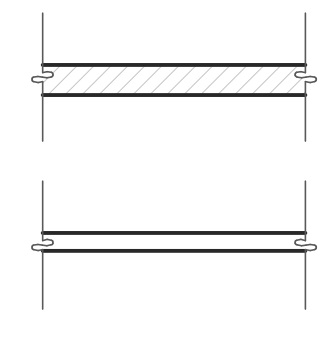
615 METROPOLITAN AVE
 LEAVENWORTH, KS 66048



**ENDEAVOR 1.0
 FLOOR PLAN**

A1.0

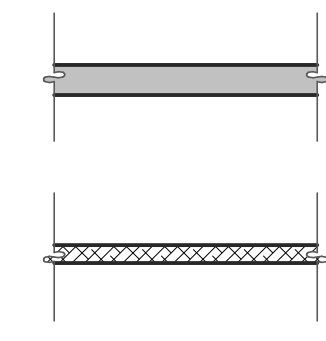
PLOT DATE: 10/5/2020 4:28:32 PM



TYPICAL EXTERIOR WALL:
 2X6 WD STUDS AT 16" O.C. W/ SHEATHING AS SCHEDULED (SEE STRUCT. DWGS.) AND R-19 KRAFT-FACED FIBERGLASS BATT INSULATION U.O.N. GC SHALL PROVIDE 2 LAYERS OF GRADE 'D' 60 lb BUILDING PAPER.

TYPICAL INTERIOR WALL:
 WD STUDS AT 16" O.C. AS INDICATED

1 2X4 WOOD STUDS
 2 2X6 WOOD STUDS



INTERIOR SOUND-RATED WALL:
 TYPICAL INTERIOR WALL W/ 3-1/2" UNFACED FIBERGLASS BATT INSULATION.

3 2X4 WOOD STUDS 4 2X6 WOOD STUDS

HOODWALL:
 INTERIOR NON-COMBUSTIBLE WALL WITH 20 GA. S.S. PANEL BEHIND HOOD. EXTEND MIN. 18" BEYOND END OF HOOD. M. STUD FRAMING. REFER TO DETAIL 2/M3.0 FOR EXTENT OF S.S. PANEL.

6 6" METAL STUD

DASHED LINE INDICATES INTERIOR SUBSTRATE LOCATION.

LOW WALL:
 2X4 WD STUDS AT 16" O.C. AS SCHEDULED (SEE DETAIL 3/A6.7)

5 2X6 WOOD STUDS

WALL HEIGHTS:
 ALL INTERIOR NON-BEARING WALLS GO TO BOTTOM OF TRUSS, U.O.N. REFER TO STRUCTURE.

WALL SUBSTRATES:
 - DINING ROOM:
 1/2" GYPSUM WALLBOARD FROM FLOOR SLAB TO 6" ABOVE CEILING HEIGHT U.O.N. SEE 6 & 8/A6.3 (NOTE: THE CEMENT BOARD SPECIFICATION IS DESIGNED TO ALLOW THE G.C. FLEXIBILITY.)
 - KITCHEN WALLS AND DINING ROOM CLOSET:
 1/2" CEMENT WALLBOARD FROM T.O. SLAB T.O. 12" A.F.F. AT 12" A.F.F., USE 1/2" CDX PLYWOOD W/FRP SURFACE FINISH TO 6" ABOVE CEILING HEIGHT U.O.N. IF DOUBLE SIDE SHEAR WALL PLYWOOD IS SPECIFIED THE PLYWOOD SHALL BE CONTINUOUS FROM SILL PLATE TO TOP PLATE. SEE 4/A6.3.
 - RESTROOM WALLS:
 5/8" CEMENT WALLBOARD FROM T.O. SLAB OR T.O. CONCRETE CURB TO 48" A.F.F., WITH 5/8" HI-IMPACT BRAND XP WALLBOARD, TYPE X CORE FROM T.O. CEMENT BOARD TO 6" ABOVE CEILING HEIGHT U.O.N. NO SUBSTITUTIONS ALLOWED. FINISH AS SCHEDULED.
 - ALL OTHER FRAME WALL CONDITIONS:
 1/2" CEMENT WALLBOARD FROM T.O. SLAB OR T.O. CONCRETE CURB TO 48" A.F.F., WITH 1/2" GYPSUM WALLBOARD FROM T.O. CEMENT BOARD TO 6" ABOVE CEILING HEIGHT U.O.N. FINISH AS SCHEDULE

WALL LEGEND **E**

DIMENSIONS:
 A. ALL DIMENSIONS ARE TO FACE OF STUD U.O.N. REFER TO FOUNDATION PLAN FOR FACE OF CONC. DIMENSIONS.
 B. DIMENSIONS NOTED AS 'CLEAR' OR 'HOLD' ARE MIN. REQUIRED. NET CLEARANCE FROM FACE OF WALL / WAINSCOT FINISH. VERIFY FINAL EQUIPMENT SIZES W/ VENDOR PRIOR TO INT. WALL FRAMING.

WINDOWS / DOORS:
 A. SEE SHT. A1.1 FOR WINDOW TYPES AND DOOR SCHEDULE.
 B. ALL DOOR AND WINDOW OPENING DIMENSIONS ARE TO ROUGH OPENING.

FINISH SUBSTRATES:
 A. PROVIDE 1/2" THICK CEMENTITIOUS BD. FROM FLOOR SLAB TO 12" A.F.F. MIN. IN LIEU OF GYP. BD. AT ALL WALLS EXCEPT SHEARWALL SURFACES, U.O.N.
 B. ALL JOINTS, GAPS OR SPACES LEADING TO ALL HOLLOW OR INACCESSIBLE SPACES SHALL BE SEALED WITH 'NSF' INTERNATIONAL APPROVED SEALANTS.
 C. ALL BACK OF HOUSE AND OFFICE WALLS SHALL HAVE 1/2" CDX PLYWOOD SUBSTRATE, U.O.N.

DECOR:
 A. SEE A2.0 FOR SEATING PLAN AND DETAILS.
 B. SEE A7.0 FOR FLOOR FINISHES.
 C. SEE A8.0 - A8.3 FOR WALL FINISHES.
 D. SEE A7.1 FOR CEILING FINISHES.

GENERAL:
 A. PROVIDE THREE FIRE EXTINGUISHERS - (2) 10 lb. BC AND (1) 10 lb. ABC - TO COMPLY WITH LOCAL FIRE CODE. LOCATE PER DIRECTION OF FIRE MARSHALL OR LOCAL AUTHORIZING AGENT. FOR ADDITIONAL INFORMATION SEE SHEET A2.0
 B. DRAWINGS ARE BASED UPON WOOD FRAMING. UTILIZATION OF METAL STUDS ON NON-BEARING INTERIOR PARTITIONS, BULKHEADS AND SOFFITS IS ACCEPTABLE.

FLOOR PLAN NOTES **D**

- 202 NO FRP BEHIND W-059 WALK-IN COOLER/FREEZER.
- 203 PIPE BOLLARD.
- 204 HOOD WALL. SEE WALL LEGEND.
- 208 KEEP CLEAR FOR UTILITIES & SYRUP LINES.
- 209 MOP SINK. REFER TO SHEET A2.0 & A2.1.
- 210 S.S. CORNER GUARD/WALL CAP [TM-2], TYP. ALL CORNERS IN BACK OF HOUSE FROM REAR WALL TO THE KITCHEN SIDE OF THE SERVICE COUNTER.
- 213 SYRUP LINE CHASE (ABOVE).
- 214 14"x14" HORIZONTAL OPENING FOR SYRUP TUBES. COORDINATE WALL PENETRATION WITH COUNTER INSTALLER. SEAL CHASE TO COUNTER.
- 215 ROOF LADDER.
- 216 ADD SECOND 2X4 WALL ON KITCHEN SIDE.
- 224 CASED OPENING IF OPTIONAL DOOR IS NOT INSTALLED. G.C. SHALL VERIFY W/ OWNER. REFER TO DETAIL 5/A6.4.
- 225 FUR OUT WALL AS INDICATED WITH 2X4 WOOD STUDS AT 16" O.C.
- 228 LOW WALL, BY G.C. COORDINATE WITH STRUCTURAL DRAWINGS
- 230 STAINLESS STEEL SPLASH GUARD.
- 231 CORNER GUARD TILE SCHLUTER.

KEY NOTES **B**

B:\18048\18048.20003_TacoBell_Leavenworth\18048.20003_A_TACO-BELL-LEAVENWORTH_V18.rvt