

1 - PRE-WATERPROOFING

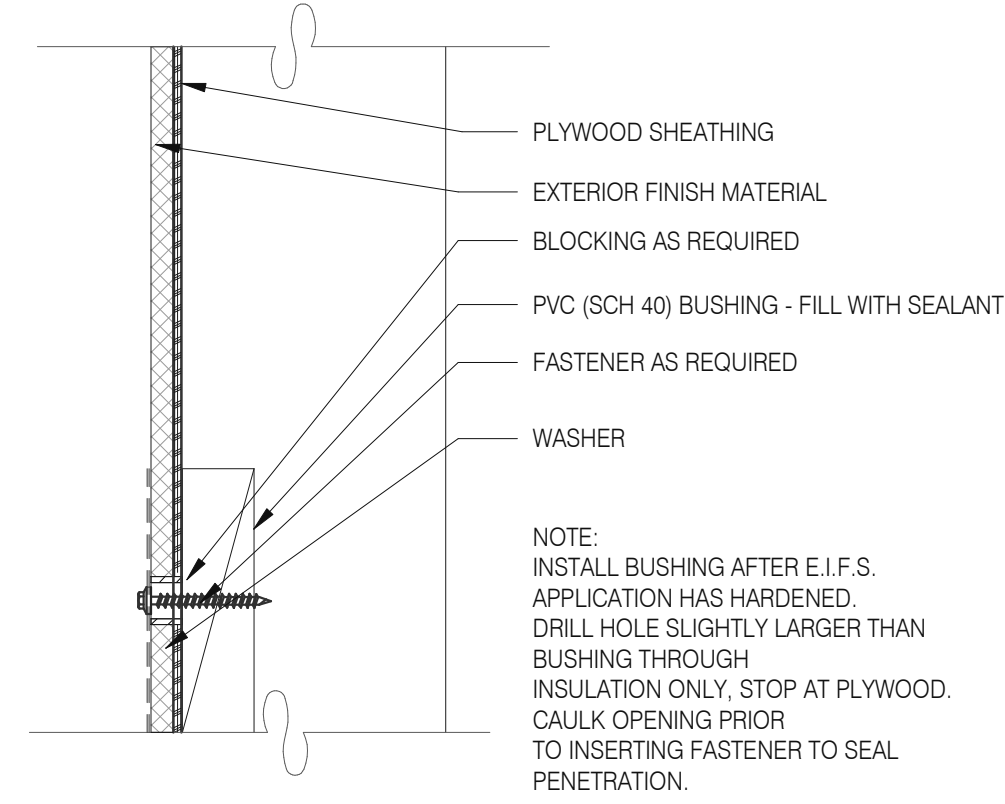
2 - FINISH-WATERPROOFING

NOTES

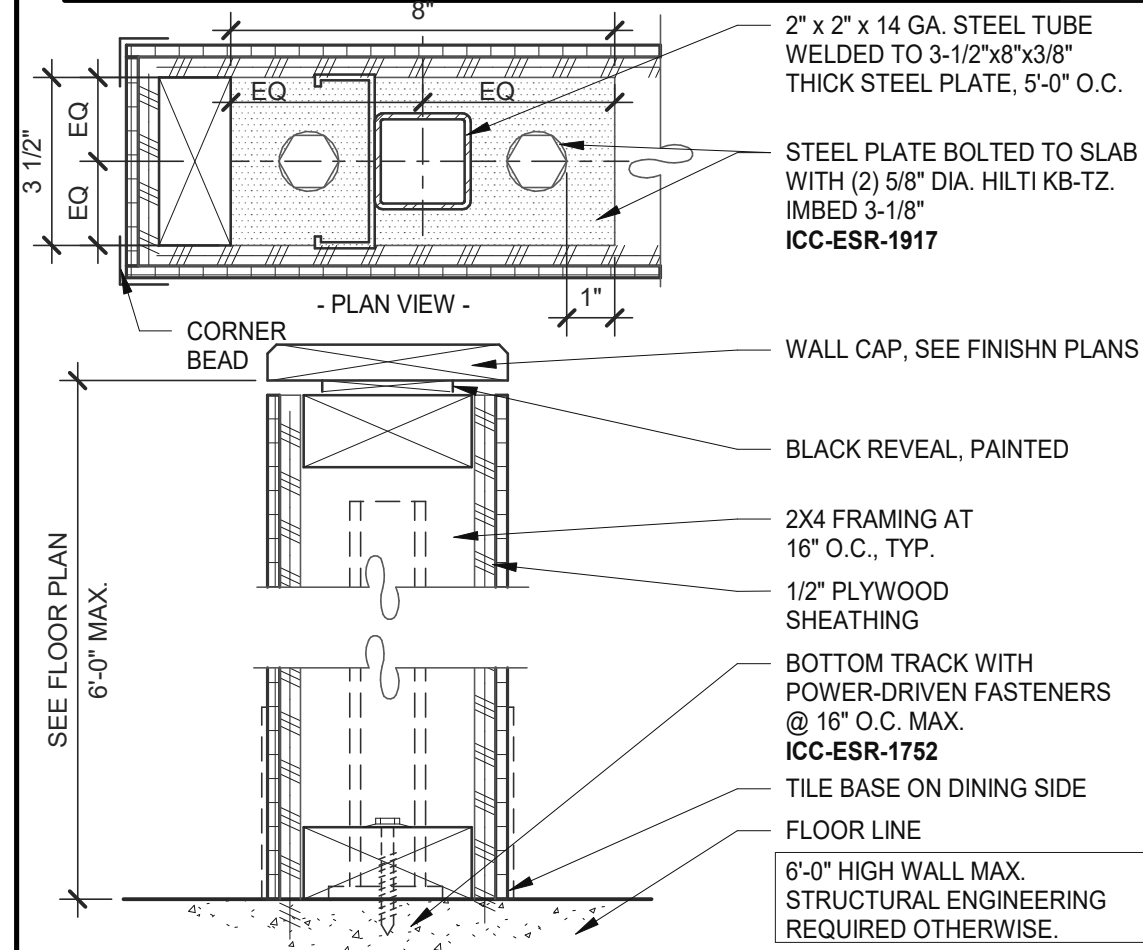
- ① 2X WOOD STUDS
- ② PLYWOOD SUBSTRATE FOR EXTERIOR WALLS
- ③ FLASHING TAPE AT ALL VERTICAL PARAPET TRANSITIONS. EXTEND TAPE 12" OUTWARD AND UPWARD FROM CORNER AS SHOWN. LAP CORNERS WITH ANGLED TAPE AS SHOWN TO INSURE FULL COVERAGE AT CORNERS
- ④ DOUBLE 2X TOP PLATE.
- ⑤ PAINTED 24 GAUGE PARAPET COPING. SLOPE 1/4:1 TOWARDS ROOF WITH FIBER CANT STRIPS UNDER COPING. LAP FRONT AND BACK EDGE 2" DOWN VERTICAL FACE. LAP EXPOSED COPING EDGE EXPOSED ENDS AT VERTICAL PARAPET TRANSITION.
- ⑥ WRAP EXTERIOR FINISH MATERIAL ONTO VERTICAL FACE OF PARAPET TRANSITION. SEE EXTERIOR ELEVATIONS.
- ⑦ EXTERIOR FINISH MATERIAL AS NOTED ON EXTERIOR ELEVATIONS ON SHEET A4.0
- ⑧ TERMINATION BAR AT VERTICAL TRANSITION OF EXTERIOR FINISH MATERIAL AND MEMBRANE ROOFING. SEAL VERTICAL GAP BETWEEN TERMINATION BAR AND EXTERIOR FINISH PER ROOFING MANUFACTURER SPECIFICATIONS.
- ⑨ PVC ROOFING MEMBRANE ON BACKSIDE OF PARAPET.

IMPORTANT : ONLY FASTEN PARAPET COPING ALONG THE FRONT AND BACK VERTICAL EDGE. NEVER ON TOP OF COPING.

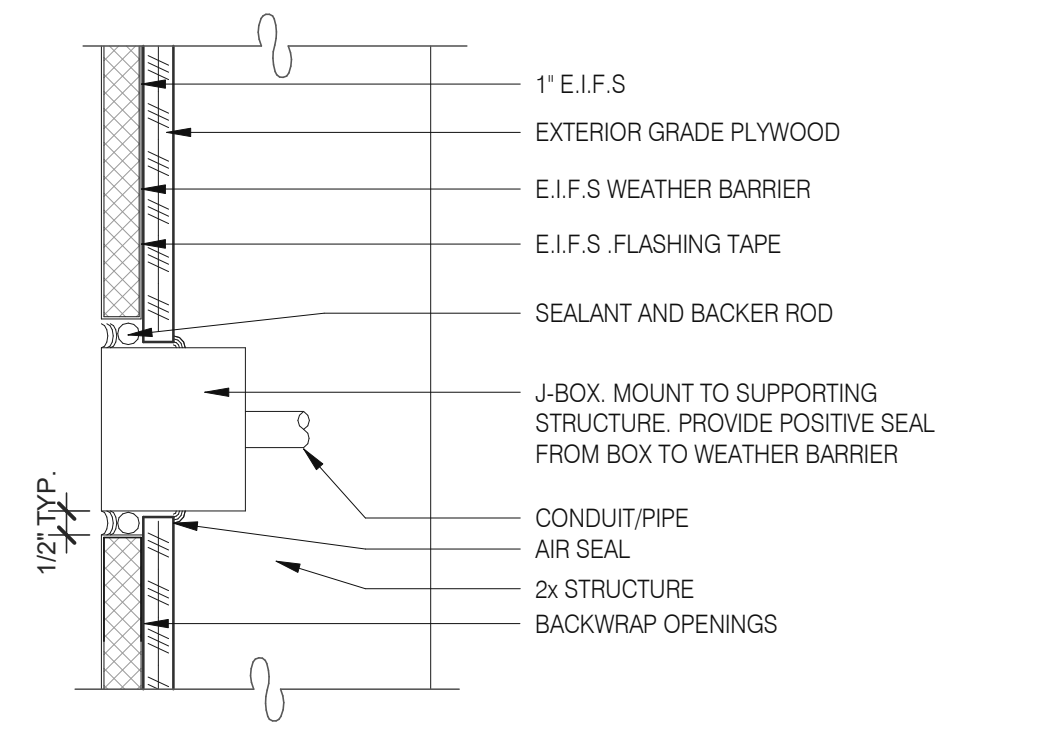
PARAPET CAP & TRANSITION 1" = 1'-0" 14



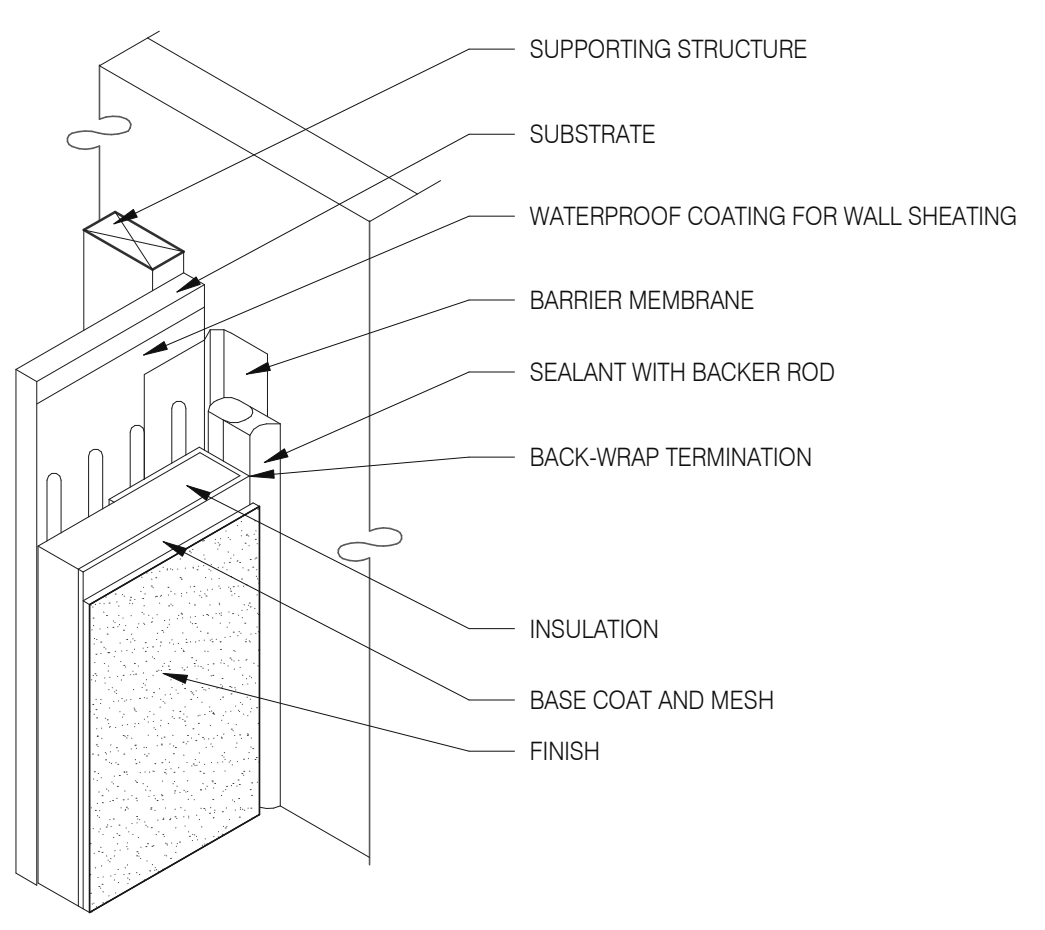
CONNECT. THRU EXIST. FINISH N.T.S. 9



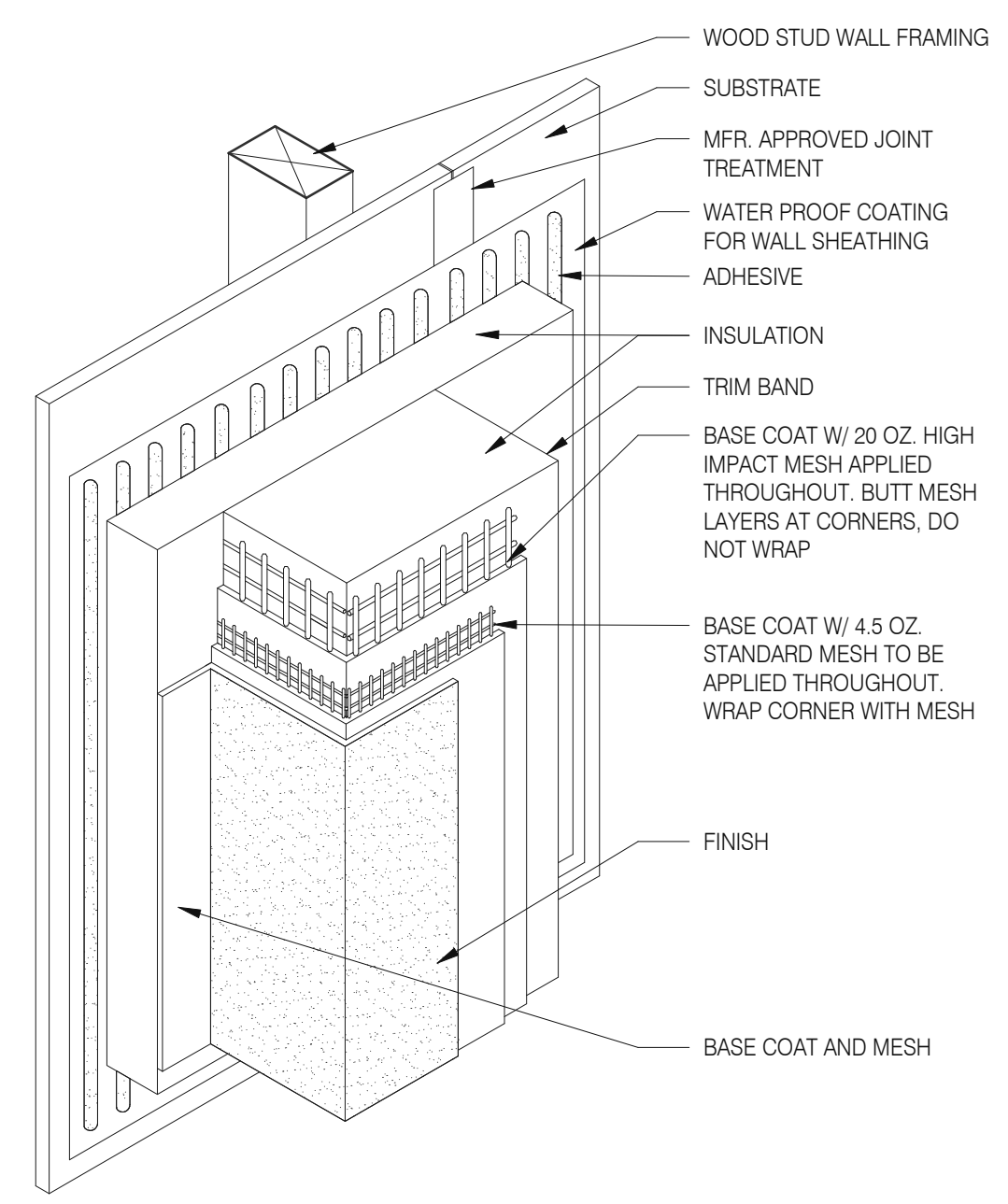
LOW WALL 3" = 1'-0" 10



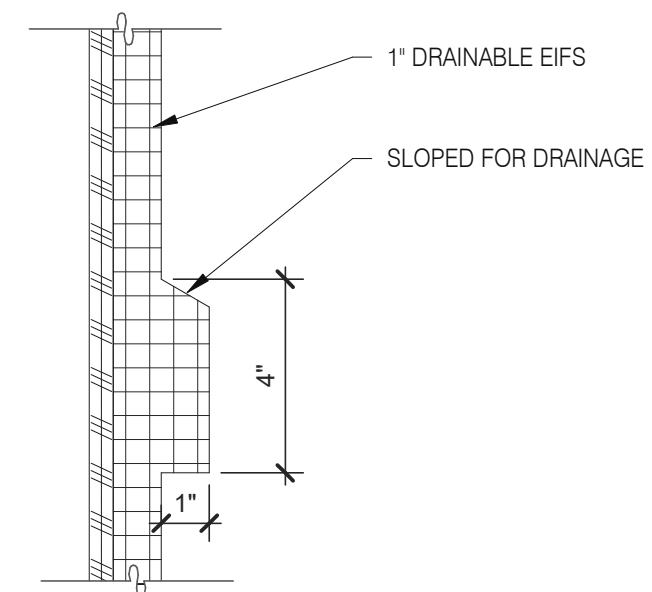
CO2 FILL / J-BOX IN EIFS N.T.S. 5



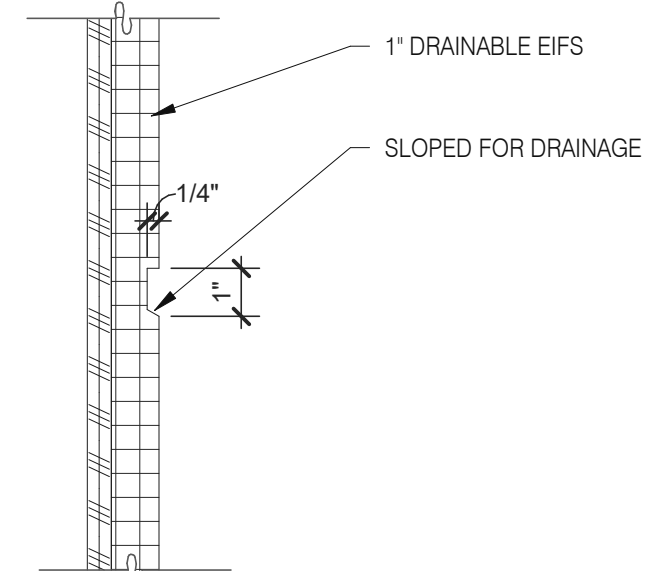
TYP. E.I.F.S. @ INSIDE CORNER N.T.S. 6



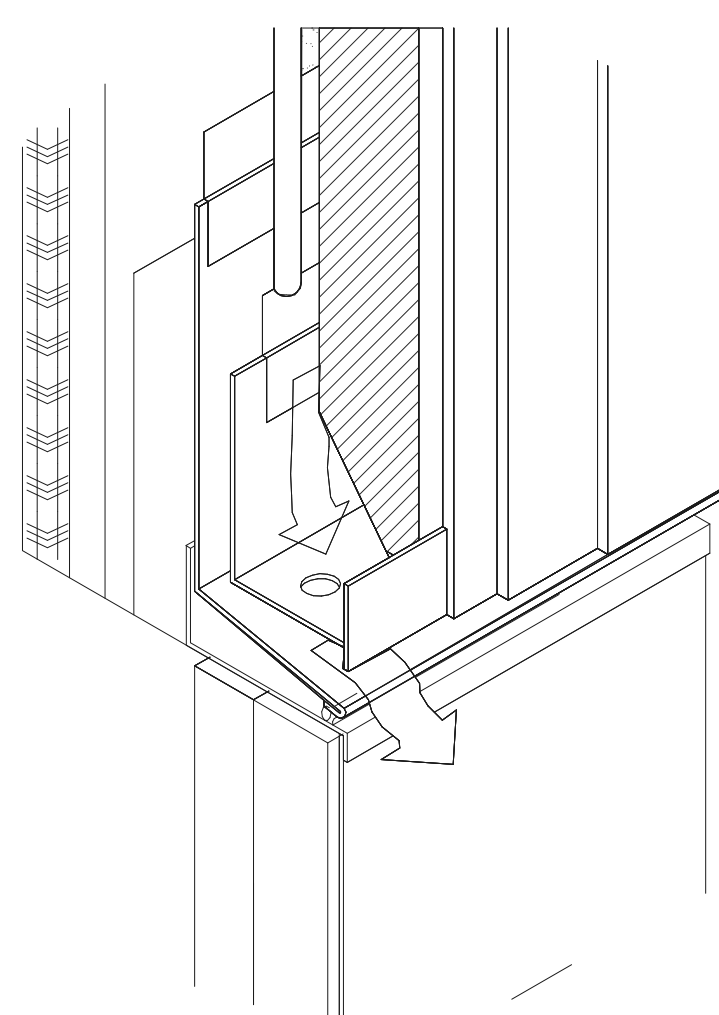
TYP. E.I.F.S. TRIM HIGH-IMPACT N.T.S. 2



1\"/>



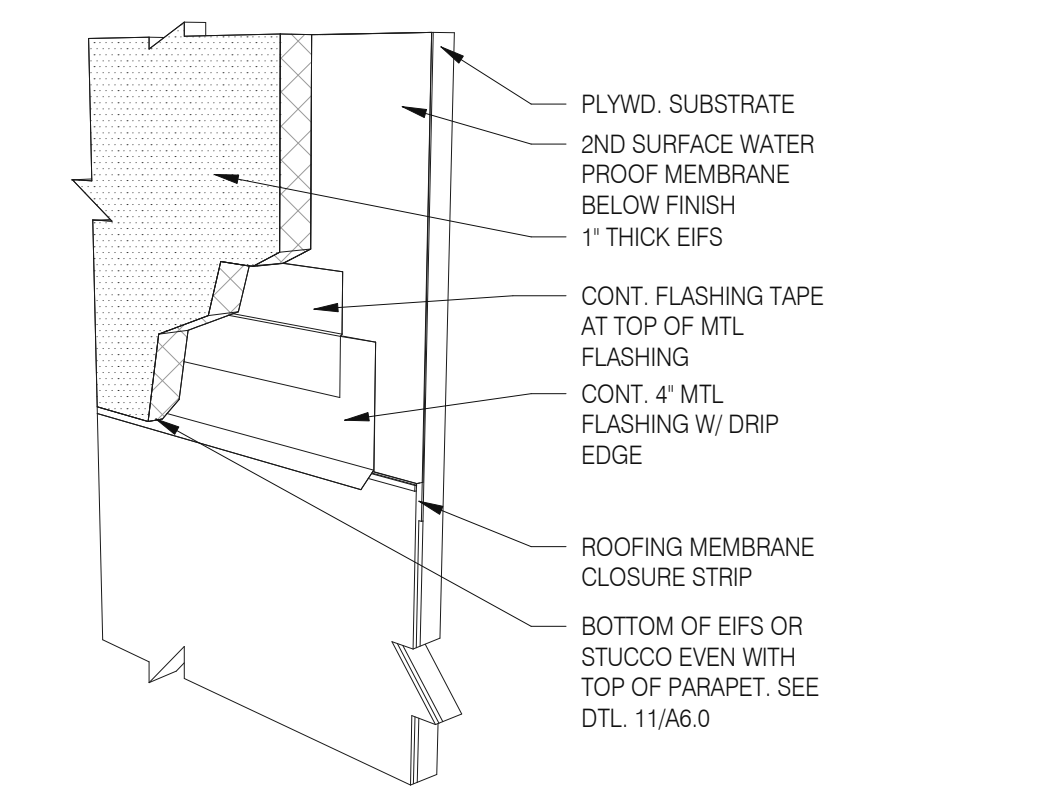
EIFS GROOVE DETAIL 3" = 1'-0" 20



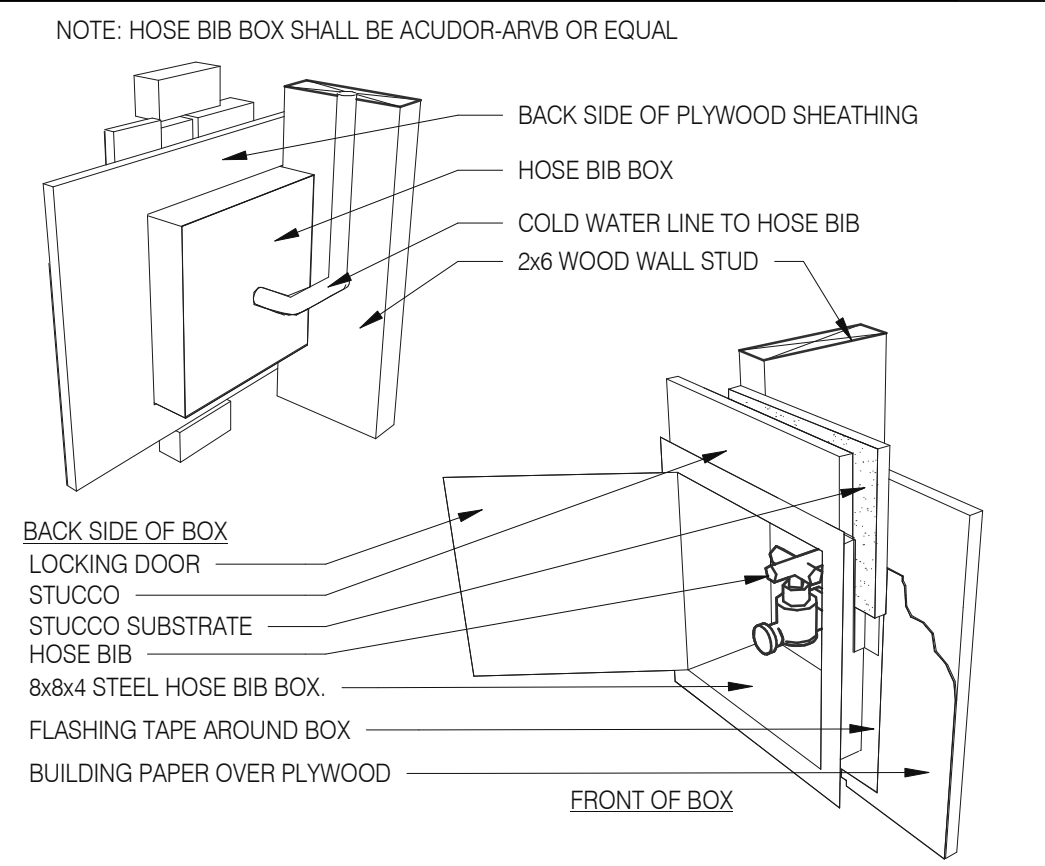
NOT AN OPTION: DO NOT CAULK BELOW EIFS STARTER TRACK EDGE & GALV. MTL. FLASHING TO ALLOW FOR DRAINAGE BEHIND EIFS.

NOTE: E.I.F.S. DETAILS ARE INTENDED TO BE GENERIC. MANUFACTURERS DETAILS AND RECOMMENDATIONS SHOULD BE FOLLOWED. REFER TO SECTION 07240 OF THE SPECIFICATIONS MANUAL.

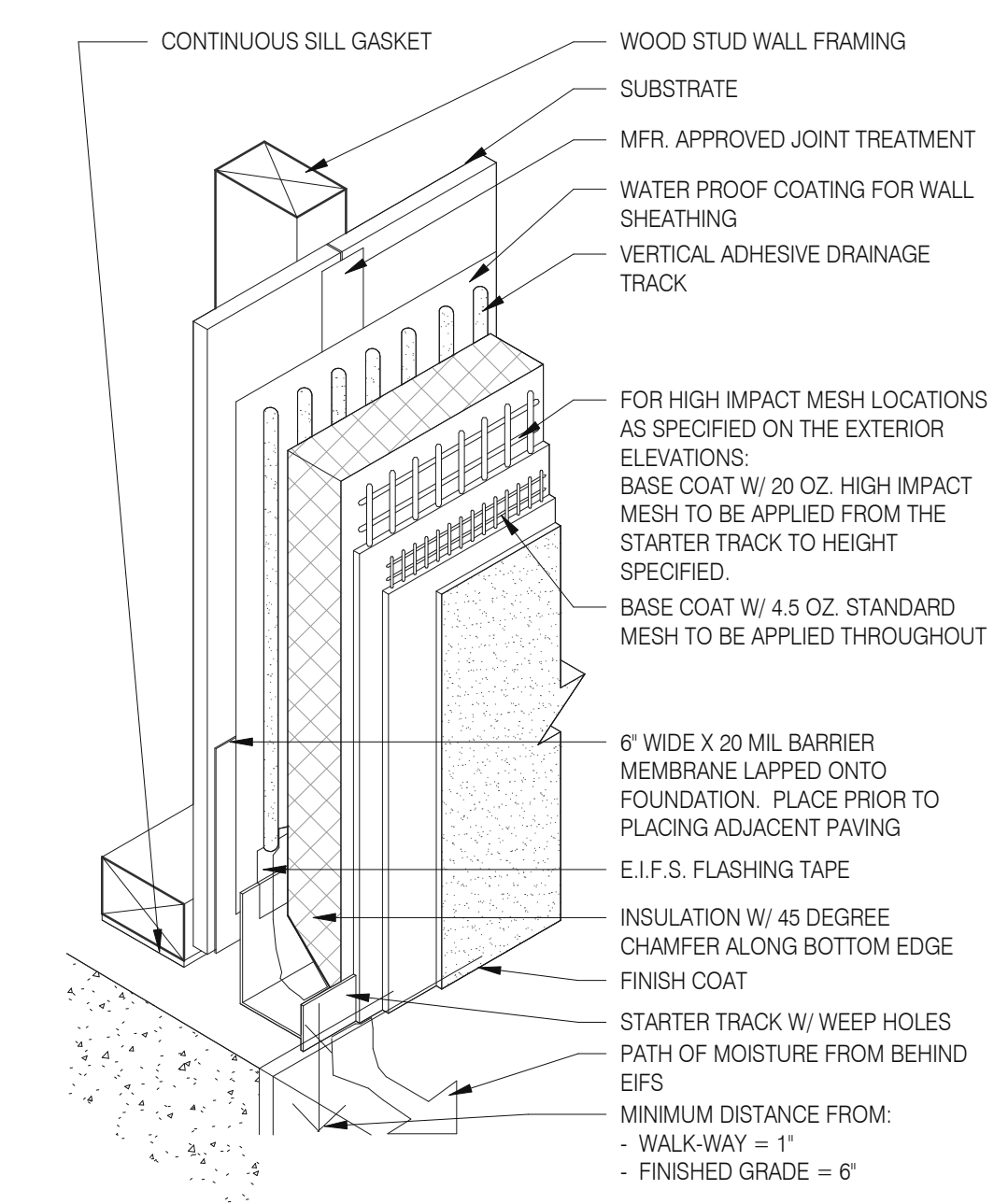
E.I.F.S. FLASHING AT TOP OF BREAK METAL N.T.S. 12



E.I.F.S. TO BASE FLASHING N.T.S. 7



HOSE BIB BOX N.T.S. 8



TYP. E.I.F.S. BASE TRANSITION N.T.S. 4



18048.20003

CONTRACT DATE:
BUILDING TYPE: END. MED40
PLAN VERSION: MARCH 2020
SITE NUMBER: 314443
STORE NUMBER: #000000

TACO BELL
615 METROPOLITAN AVE
LEAVENWORTH, KS 66048



ENDEAVOR 1.0
CONSTRUCTION
DETAILS WALL

A6.2

PLOT DATE: 10/5/2020 4:30:23 PM

BIM 300/18048.20003_TacoBell_Leavenworth18048.20003_A_TACO-BELL-LEAVENWORTH_V18.rvt