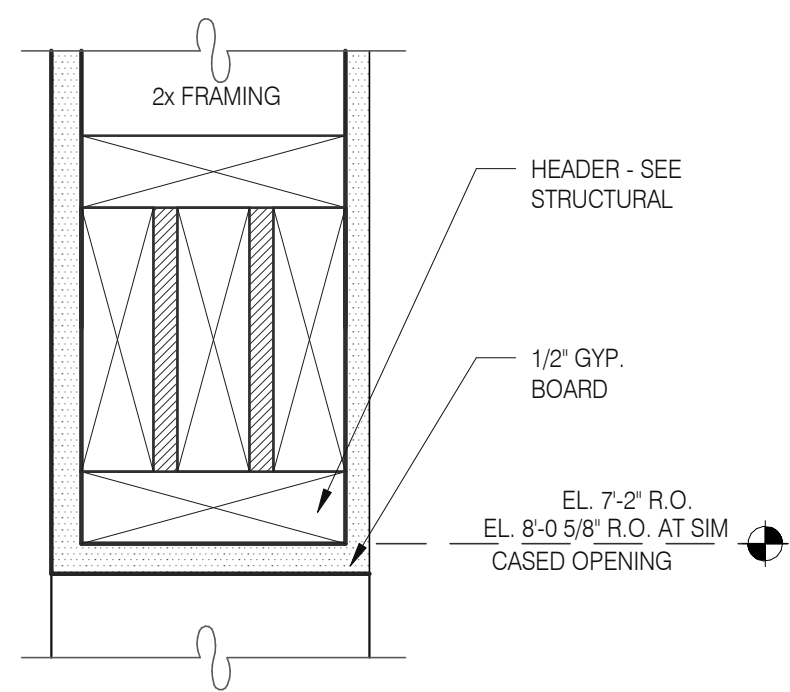


**WALL PASS THRU**

N.T.S.

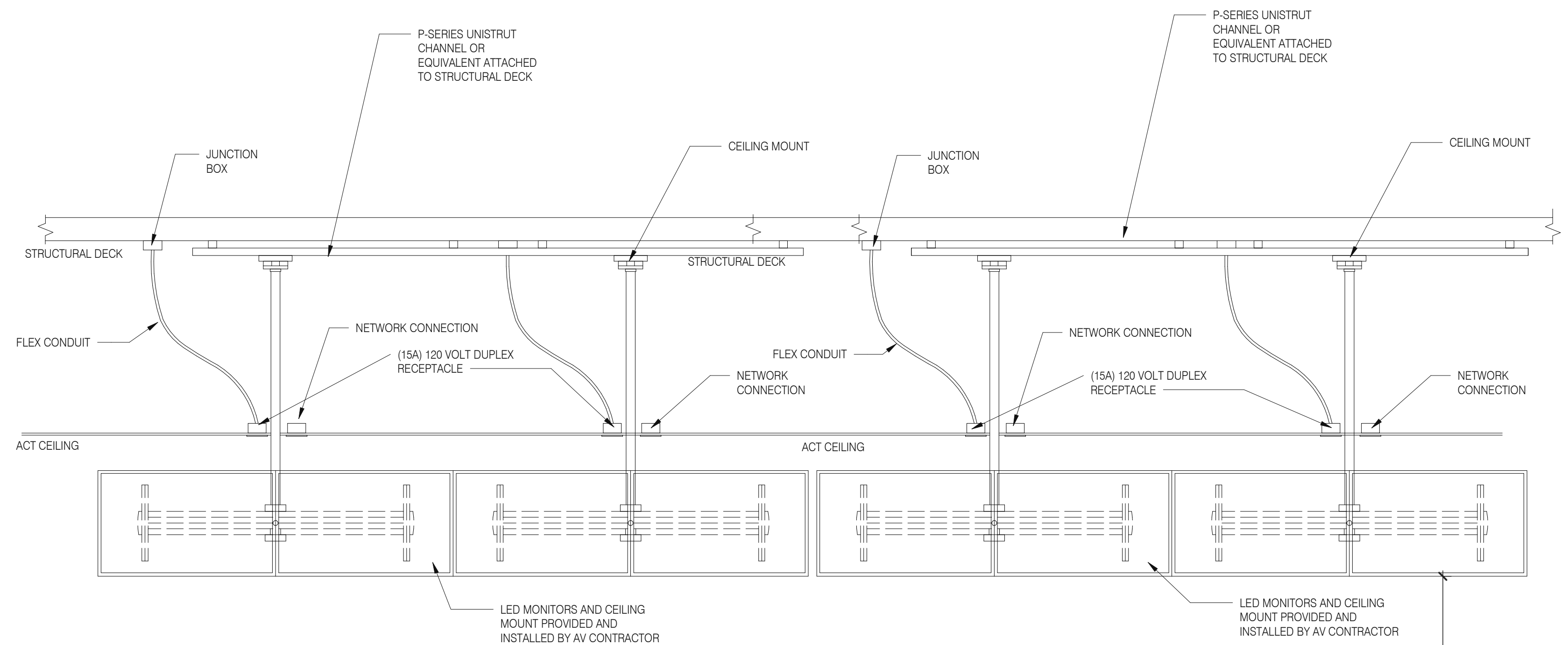
**8**



**CASED OPENING DETAIL**

N.T.S.

**5**



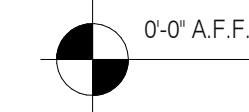
**NOTES:**

1. EC/GC TO INSTALL A TOTAL OS (4) IGS262 DUPLEX OUTLET IN CEILING BOXES ON FRONT OF VALANCE WALL AS SHOWN. OUTLETS TO BE ORANGE AND STRAIGHT BLADE.
2. EC/GC TO EVALUATE VALANCE CEILING STRUCTURE TO ENSURE ADEQUATE SUPPORT OF DIGITAL MENU BOARDS EQUIPMENT EC/GC TO INSTALL ADDITIONAL BLOCKING (AS REFERENCED ON DRAWINGS) AS NEEDED TO ENSURE ADEQUATE SUPPORT OF DIGITAL MENU BOARDS
3. EC/GC TO INSTALL (1) DATA JUNCTION (JB) IN CEILING AS SHOWN. CONDUIT TERMINATED ABOVE CEILING TO HAVE BUSHING.
4. EC/GC TO RUN (3) CAT6 LINES FROM NETWORK SWITCH TO DATA JUNCTION BOX. CAT6 LINES SHOULD HAVE BOTH PROPERLY TERMINATED WITH RJ-45 CONNECTORS. EXCESS CAT6 CABLE TO BE COILED INTO SERVICE LOOPS AT EACH END AND LEFT ACCESSIBLE. FOR DMB INSTALL TEA. CAT6 TO BE RUN IN ACCORDANCE WITH ALL LOCAL MUNICIPALITY CODE REQUIREMENTS.
5. EC/GC SHALL ACQUIRE AND SECURE NY/ALL REQUIRED PERMITTING FOR THE WORK MENTIONED ABOVE PER MUNICIPALITY CODE REQUIREMENTS.
6. DRAWING PROVIDED IS FOR INSTALLATION OF DMB EQUIPMENT ONLY. NOT TO BE USED FOR ARCHITECTURAL PURPOSES. IF PLACEMENT OF REQUIRED ELEMENTS CANNOT BE MET AND WILL EXCEED A 3IN DEVIATION, STRATACACHE MUST BE NOTIFIED IMMEDIATELY.

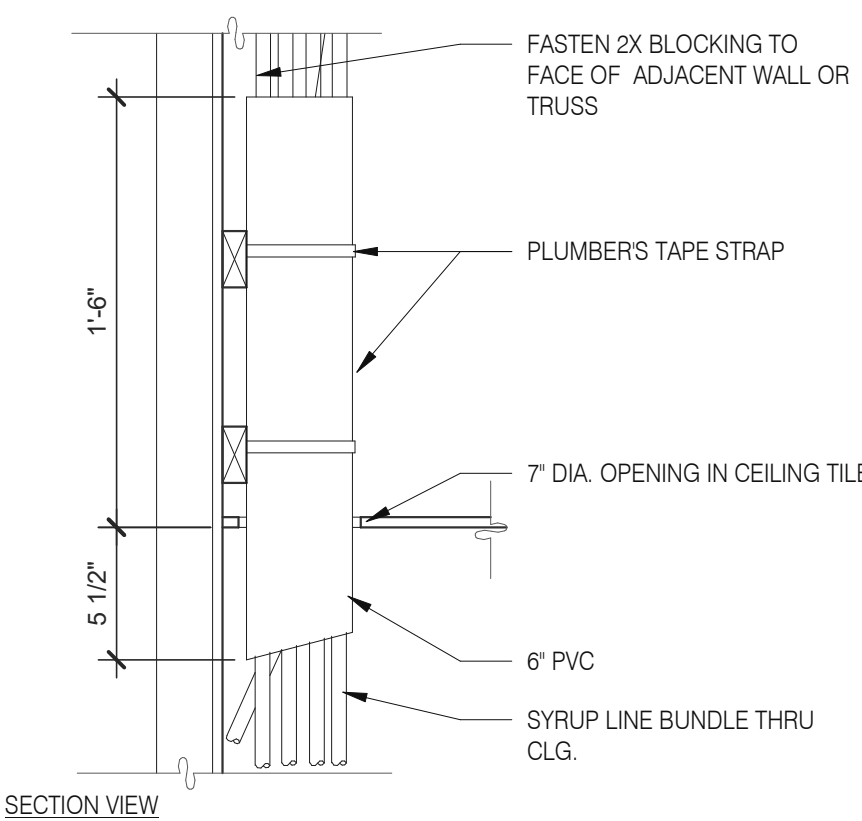
JB = JUNCTION BOX  
GC = GENERAL CONTRACTOR  
EC = ELECTRICAL CONTRACTOR

**ELECTRICAL SCHEDULE**

QTY	DESCRIPTION	VOLT/PH	BRK SIZE	COND/WIRE	PNL/CCT	RECP TYPE	HGT AFF	REQUIREMENTS & REMARKS
4	MENU BOARD - DIGITAL & MEDIA PLAYER	120/1 ISOLATED	20A	-----	-----	(4) IGS262	SEE PLAN	SEE LAYOUT AND NOTES

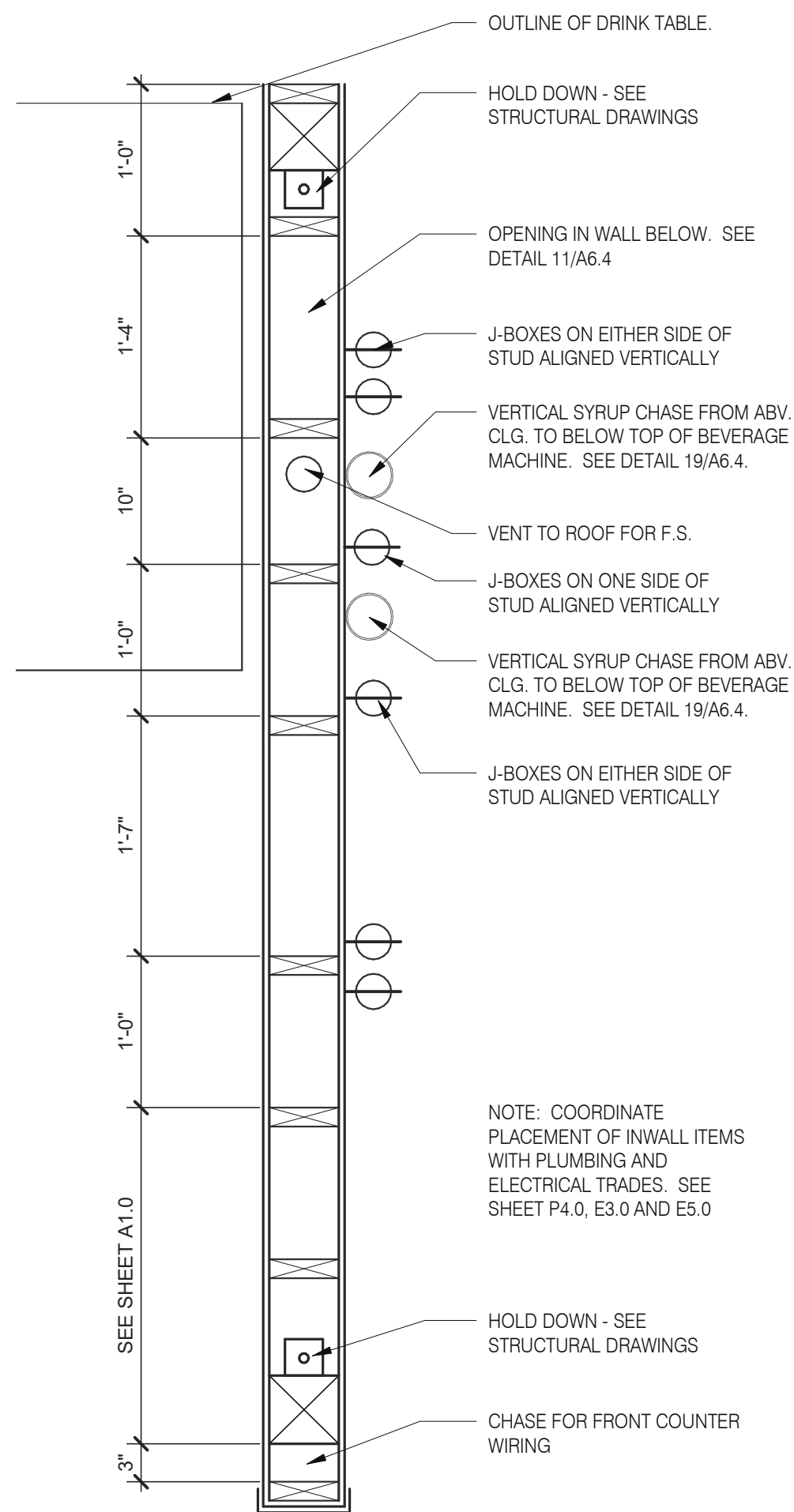


6'-10"



**SYRUP BUNDLE CLG. 1 1/2" = 1'-0"**

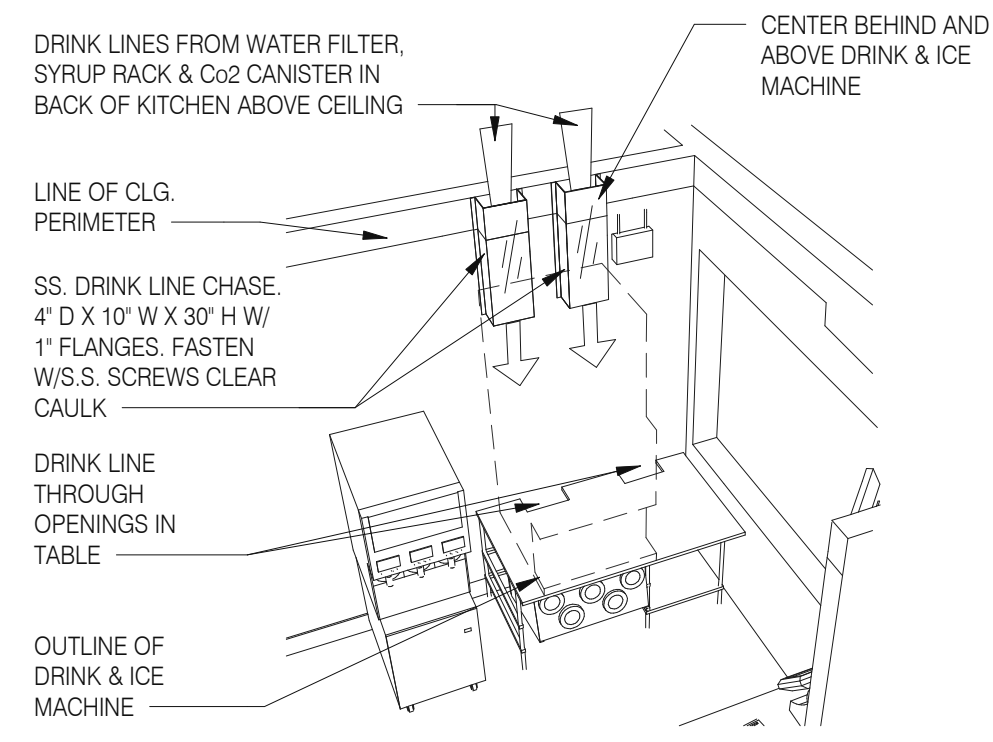
**10**



**INTERIOR CHASE WALL**

N.T.S.

**7**



**SYRUP CHASE ON WALL 1 1/2" = 1'-0"**

**11**

**MENU BOARD MOUNTING DETAIL 3/4" = 1'-0"**

**1**



18048.20003

CONTRACT DATE:  
BUILDING TYPE: END. MED40  
PLAN VERSION: MARCH 2020  
SITE NUMBER: 314443  
STORE NUMBER: #000000

TACO BELL

615 METROPOLITAN AVE  
LEAVENWORTH, KS 66048



ENDEAVOR 1.0  
CONSTRUCTION  
DETAILS  
INTERIOR

**A6.4**

PLOT DATE: 10/5/2020 4:30:31 PM