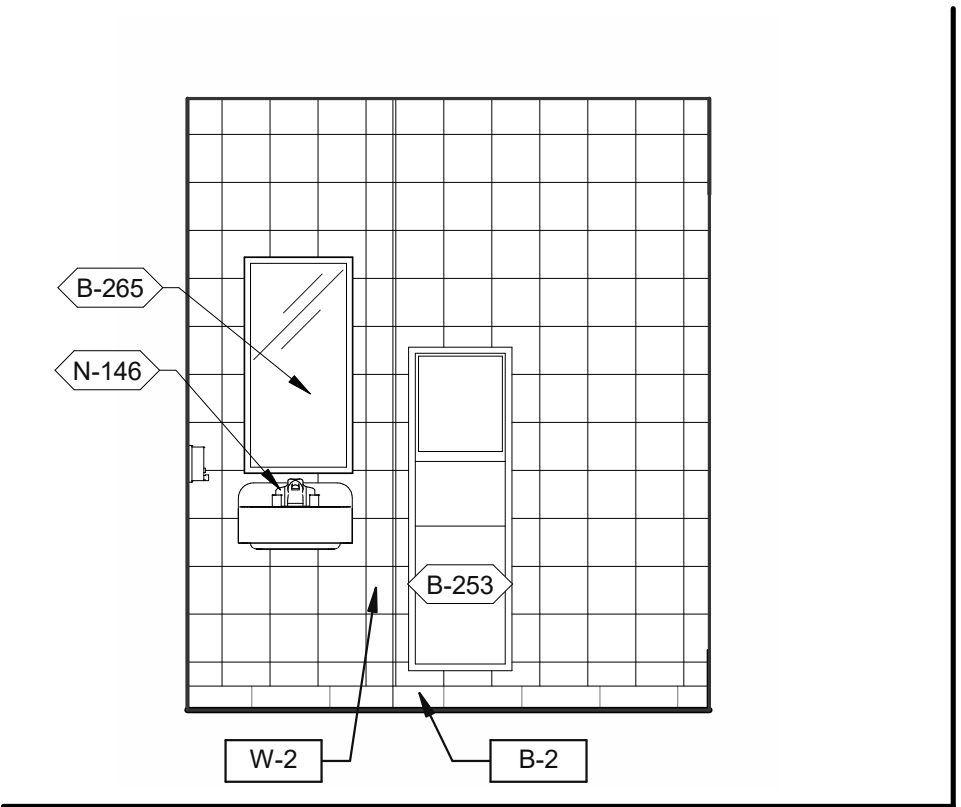
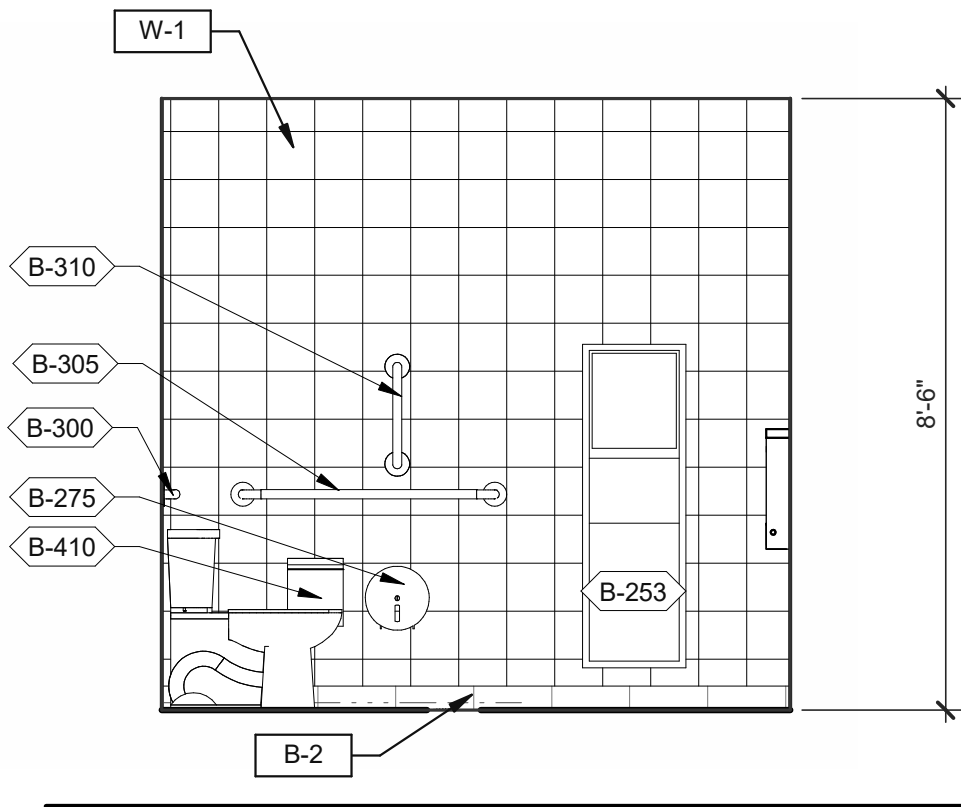


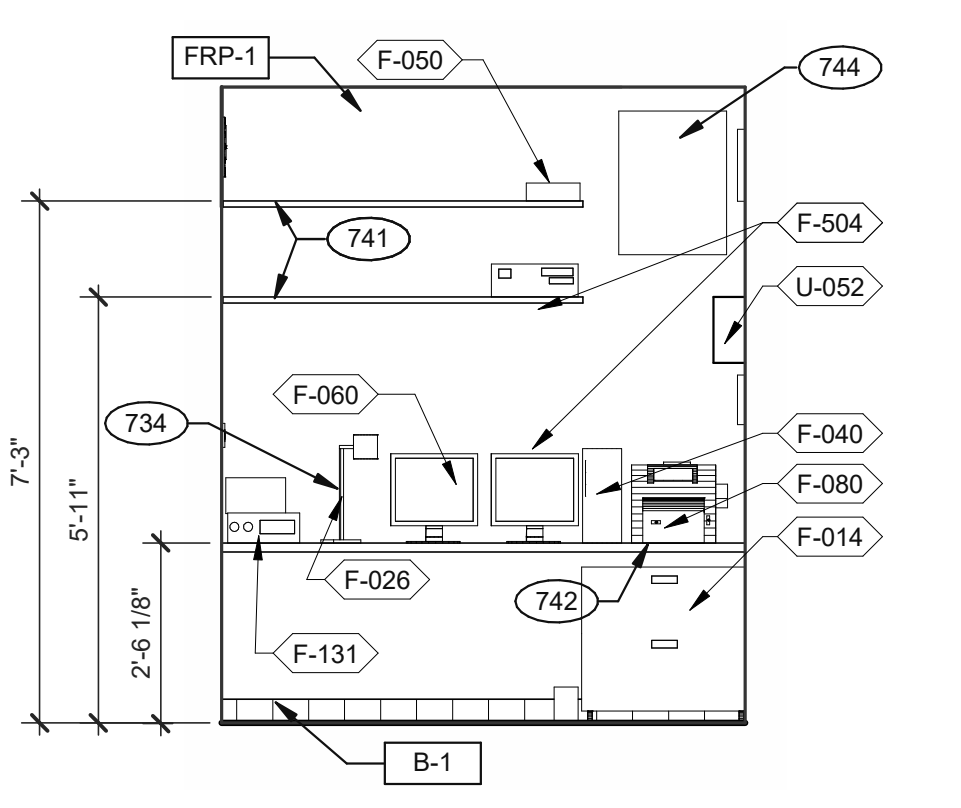
OFFICE ELEVATION 3/8" = 1'-0" **9**



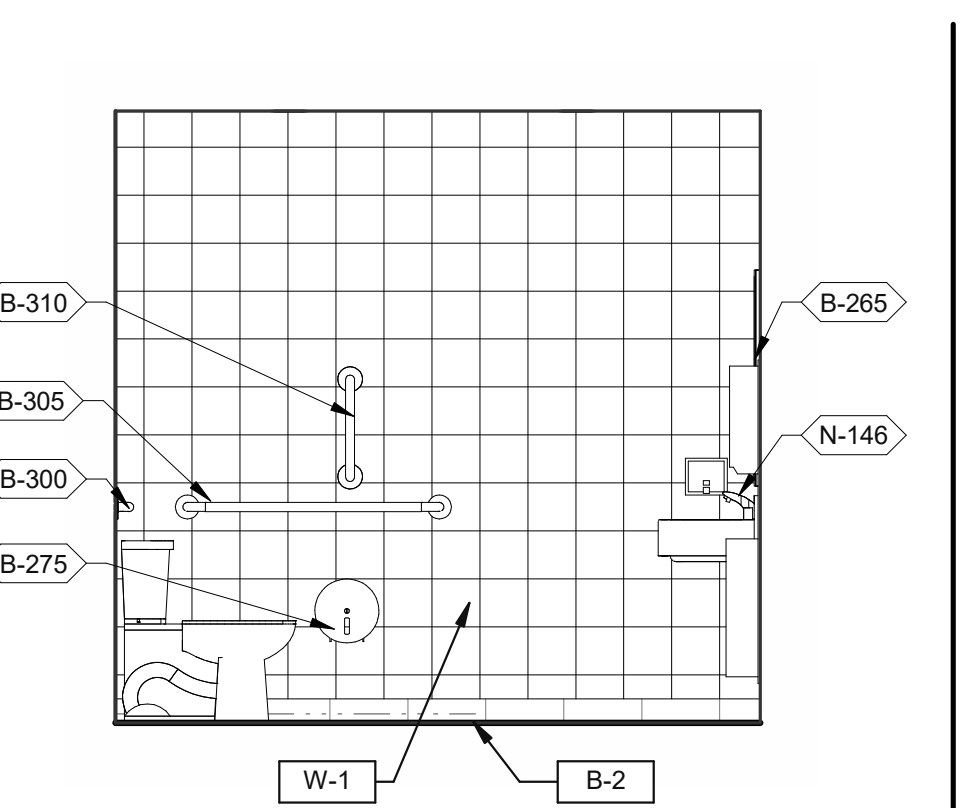
MEN'S RESTROOM 3/8" = 1'-0" **5**



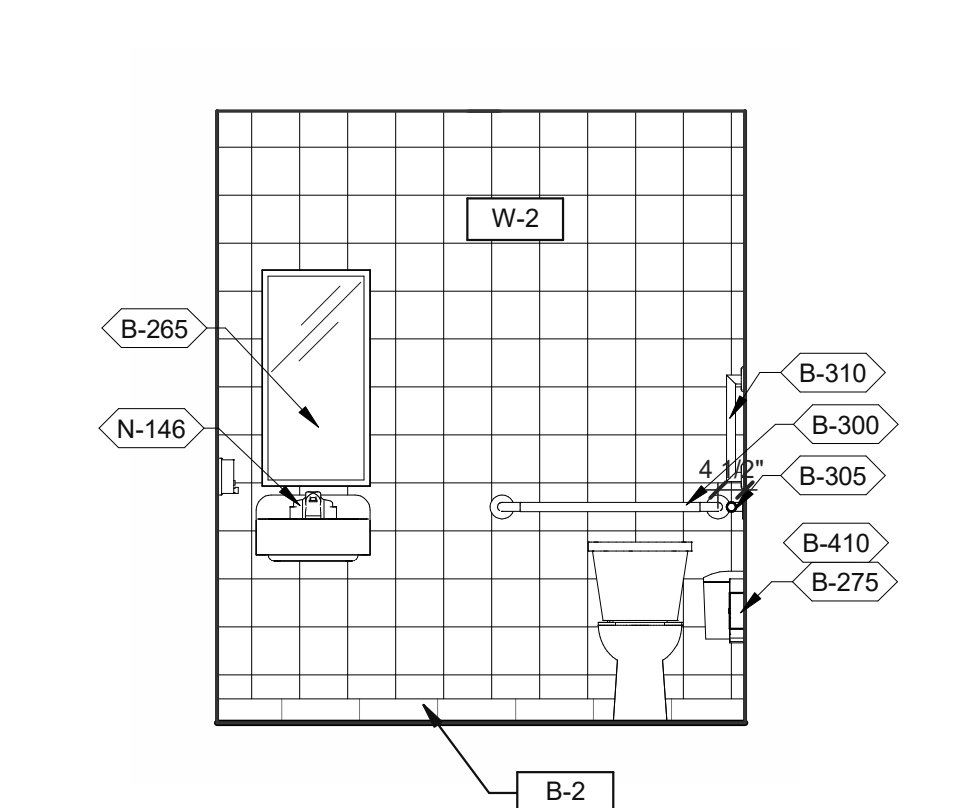
WOMEN'S RESTROOM 3/8" = 1'-0" **1**



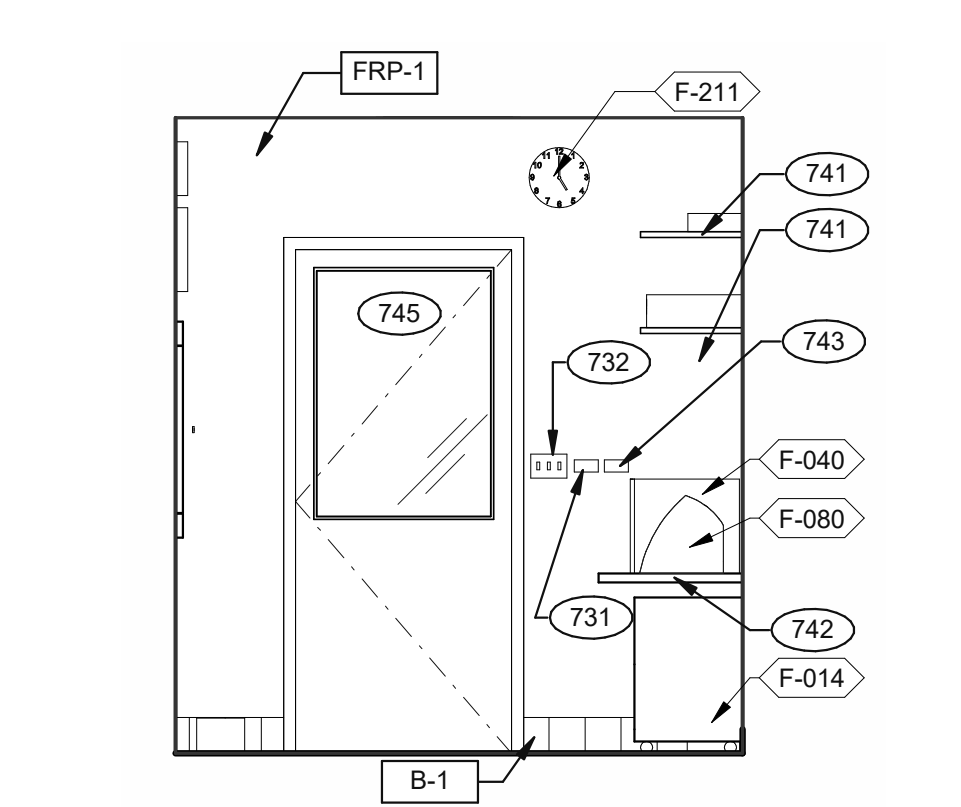
OFFICE ELEVATION 3/8" = 1'-0" **10**



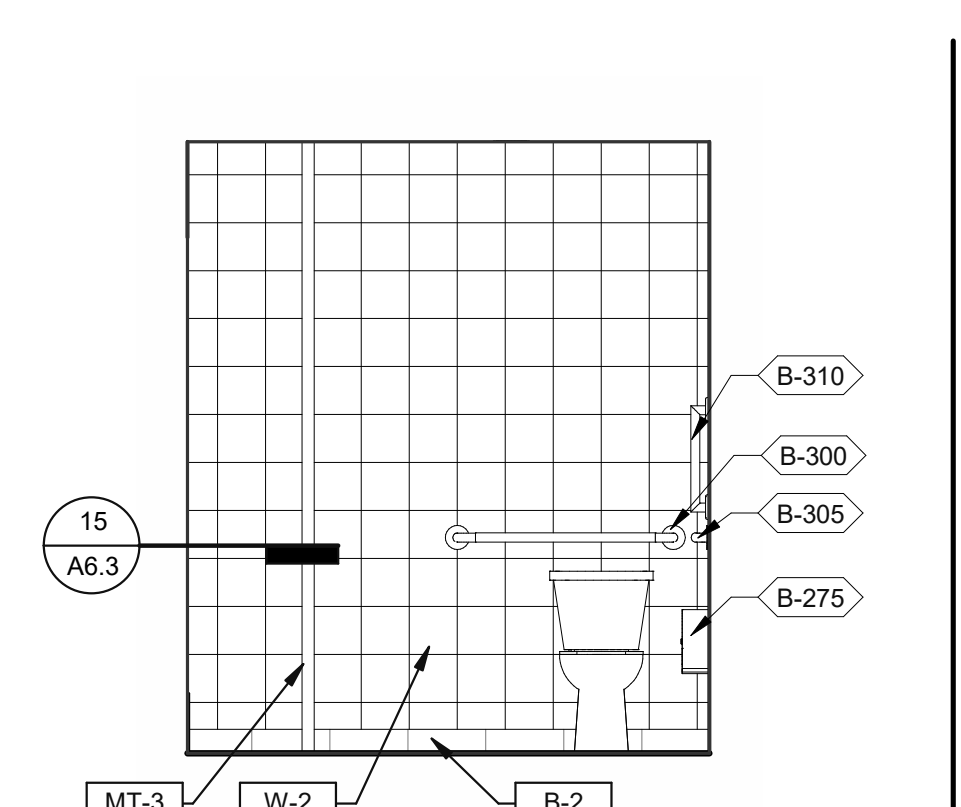
MEN'S RESTROOM 3/8" = 1'-0" **6**



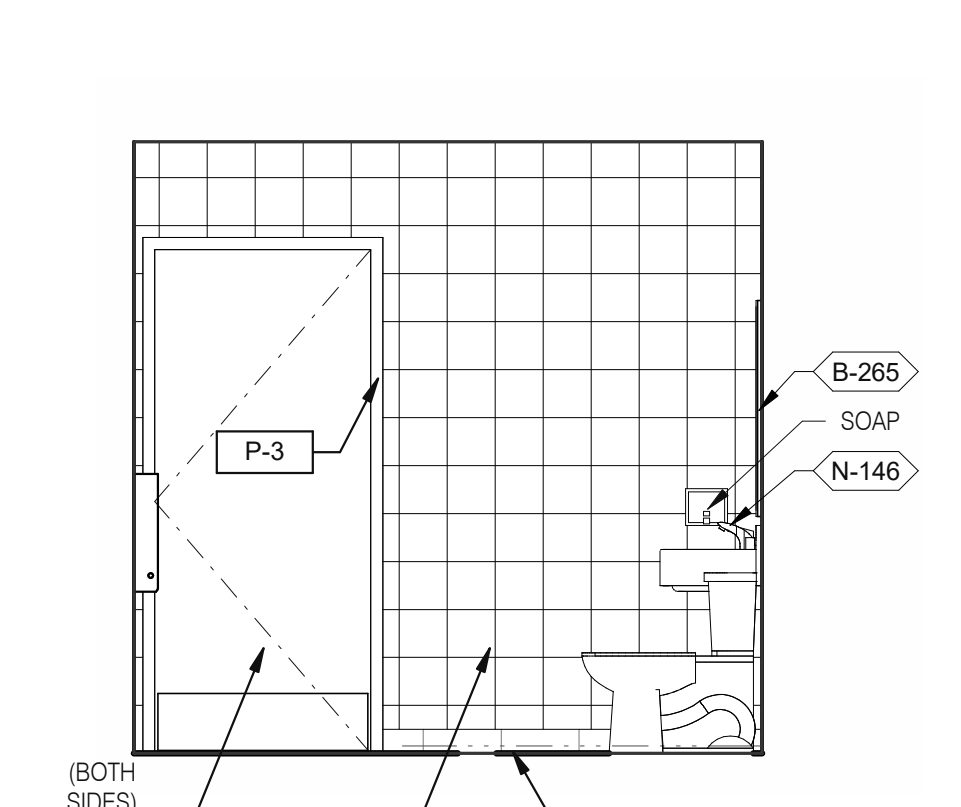
WOMEN'S RESTROOM 3/8" = 1'-0" **2**



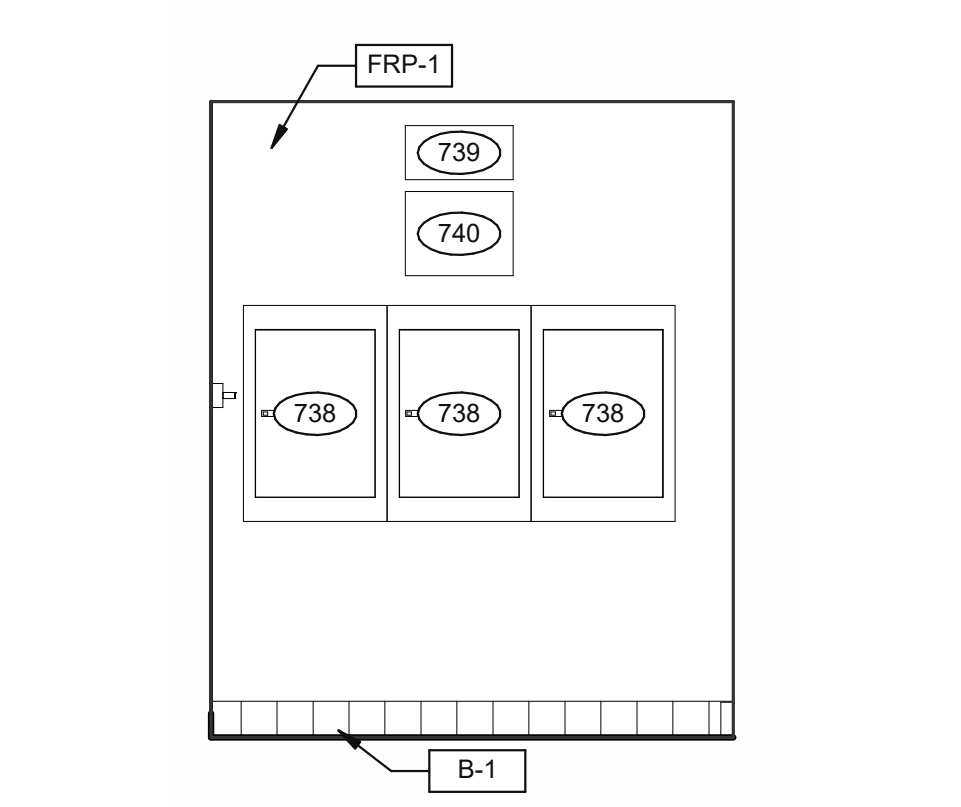
OFFICE ELEVATION 3/8" = 1'-0" **11**



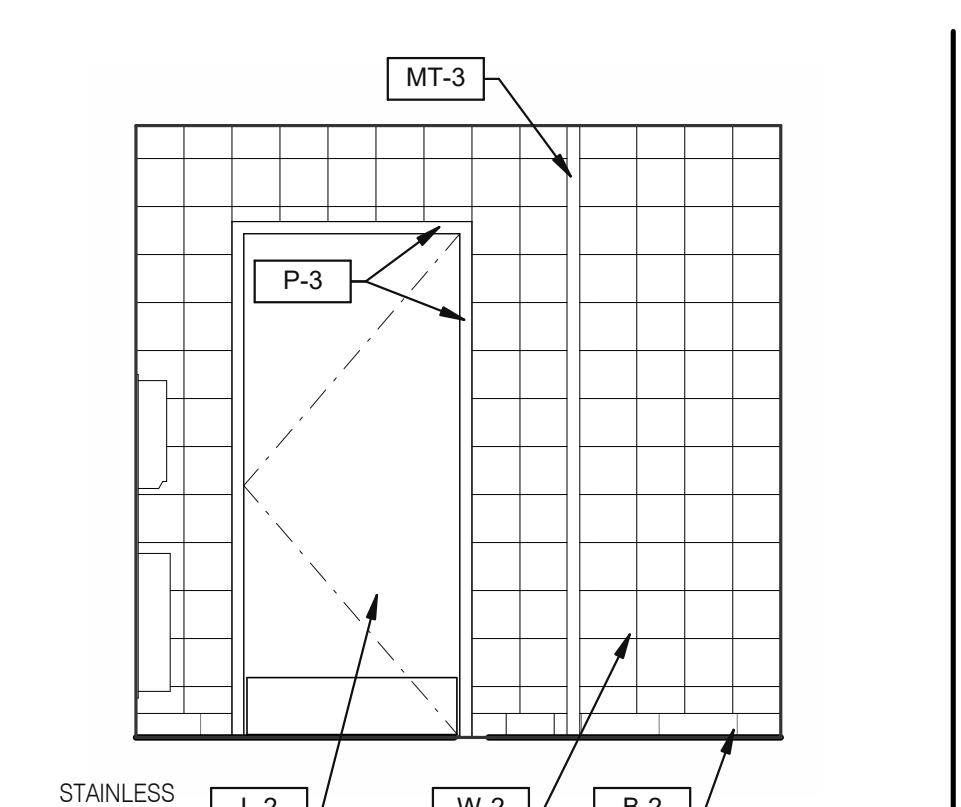
MEN'S RESTROOM 3/8" = 1'-0" **7**



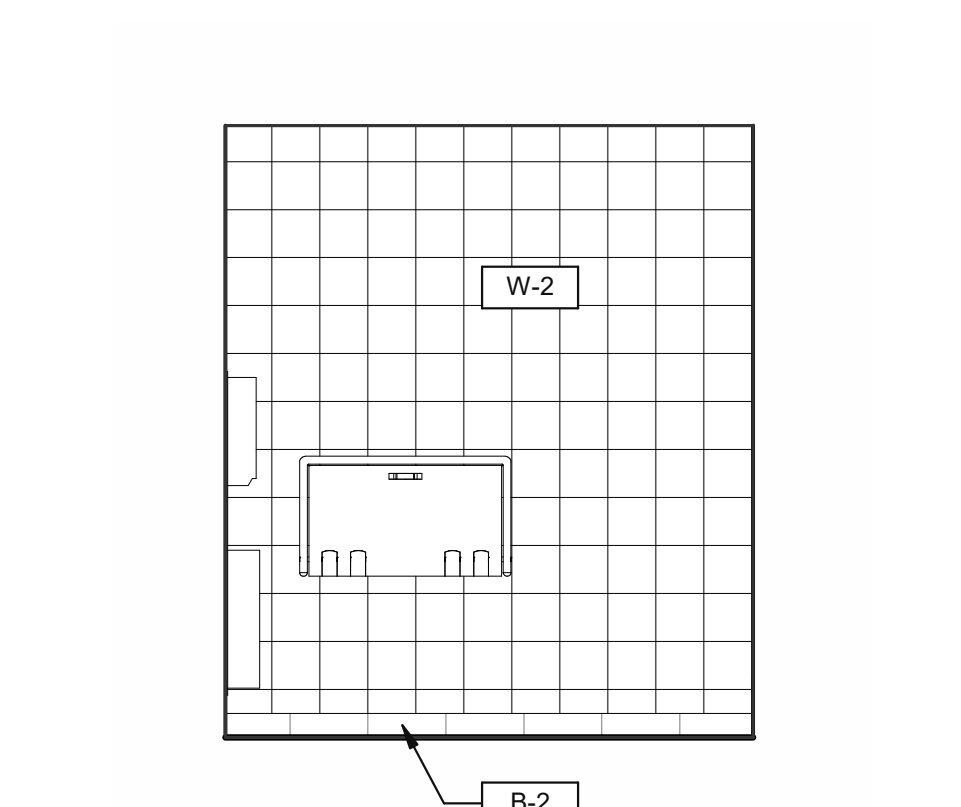
WOMEN'S RESTROOM 3/8" = 1'-0" **3**



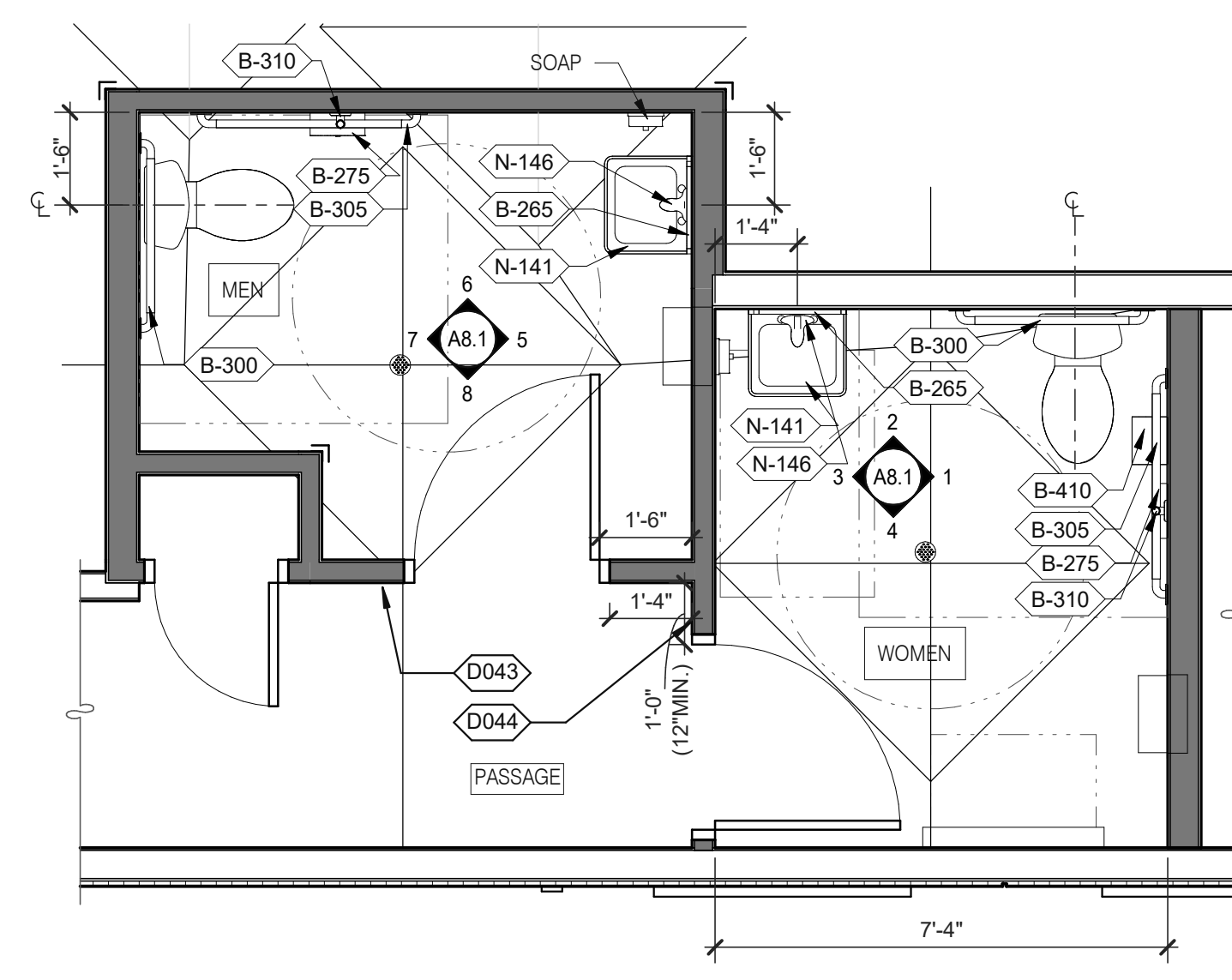
OFFICE ELEVATION 3/8" = 1'-0" **12**



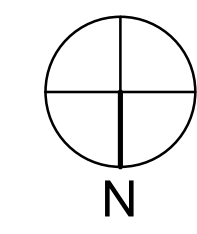
MEN'S RESTROOM 3/8" = 1'-0" **8**



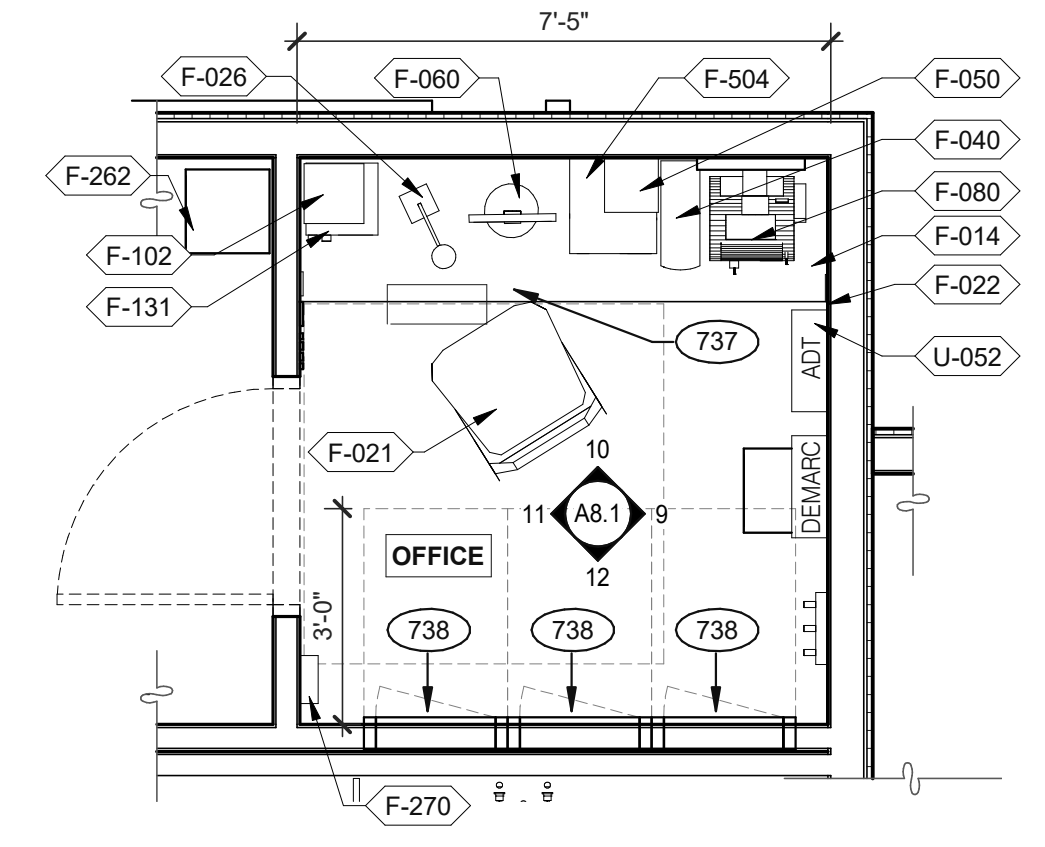
WOMEN'S RESTROOM 3/8" = 1'-0" **4**



- A.** PROVIDE PROPER 2x BLOCKING AT WALL RECESSED MOUNTED ACCESSORIES.
- B.** GRAB BARS, FASTENERS AND MOUNTING DEVICES SHALL BE INSTALLED PER ADA REQUIREMENTS. REFER TO SHEET ADA1.0
- C.** REFER TO FLOOR PLAN NOTE FOR BLOCKING AND SUBSTRATE NOTES.
- D.** REFER TO SHEET ADA1.0 FOR MOUNTING HEIGHTS AND CLEARANCES OF ACCESSORIES AND FIXTURE.
- ALL DIMENSIONS THIS DRAWING ARE TO FINISH SURFACE.
- * ABSOLUTE DIMENSION
- DESIGNER NOTE:
 REFER TO
 TACOBELPLANS.COM/LIBRARY/SIGNS
 FOR ADDITIONAL RESTROOM SIGN OPTIONS.



ENLARGED RESTROOM / GENERAL NOTES 3/8" = 1'-0" **A**



OFFICE PLAN 3/8" = 1'-0" **B**

TYPE	DESCRIPTION	MANUFACTURER	COMMENTS
D041	SIGN-TACO BELL RESTROOM GENDER NEUTRAL WHITE ON BLACK. 11.75" X 11.75"	TECHNOLOGY MEDIA GROUP - CQI13960	CALIFORNIA ONLY
D042	SIGN-TACO BELL RESTROOM GENDER NEUTRAL BLACK ON WHITE. 11.75" X 11.75"	TECHNOLOGY MEDIA GROUP - CQI13961	CALIFORNIA ONLY
D043	SIGN-TACO BELL RESTROOM MEN WITH BRAILLE 10" X 8.5"		REFER TO TACOBELPLANS.COM/LIBRARY/SIGNS FOR ADDITIONAL RESTROOM SIGN OPTIONS
D044	SIGN-TACO BELL RESTROOM WOMAN WITH BRAILLE 10" X 8.5"		REFER TO TACOBELPLANS.COM/LIBRARY/SIGNS FOR ADDITIONAL RESTROOM SIGN OPTIONS

- 731 THERMOSTATS.
- 732 LIGHTING CONTROL RELAY SWITCHES. RE: ELEC. DWGS.
- 733 TELEPHONE TERMINAL BOARD.
- 734 DESK LAMP.
- 737 UNDER COUNTER KEYBOARD TRAY.
- 738 ELECTRIC PANELS.
- 739 FAN & LIGHT CONTROL BOX; REFER TO ELEC.
- 740 EXTERIOR LIGHTING CONTROL PANEL (GREEN GATE).
- 741 SHELF BY GC - FINISH WITH PLASTIC LAMINATE DL-3.
- 742 COUNTER BY GC - FINISH WITH PLASTIC LAMINATE DL-3.
- 743 DUCT SMOKE DETECTOR RESET SWITCH.
- 744 TECH-IN-A-BOX (WALL MOUNT RACK ENCLOSURE CABINETS); REFER TO ELEC. GC TO PROVIDE BLOCKING WHERE REQUIRED.
- 745 DOOR IS OPTIONAL.

RESTROOM SIGNAGE **D**

KEYNOTES **C**

18048.20003

CONTRACT DATE:
 BUILDING TYPE: END. MED40
 PLAN VERSION: MARCH 2020
 SITE NUMBER: 314443
 STORE NUMBER: #000000

TACO BELL
 615 METROPOLITAN AVE
 LEAVENWORTH, KS 66048



ENDEAVOR 1.0
INTERIOR ELEV.
ENLARGED
RESTROOMS &
OFFICE PLAN

A8.1

PLOT DATE: 10/5/2020 4:31:26 PM