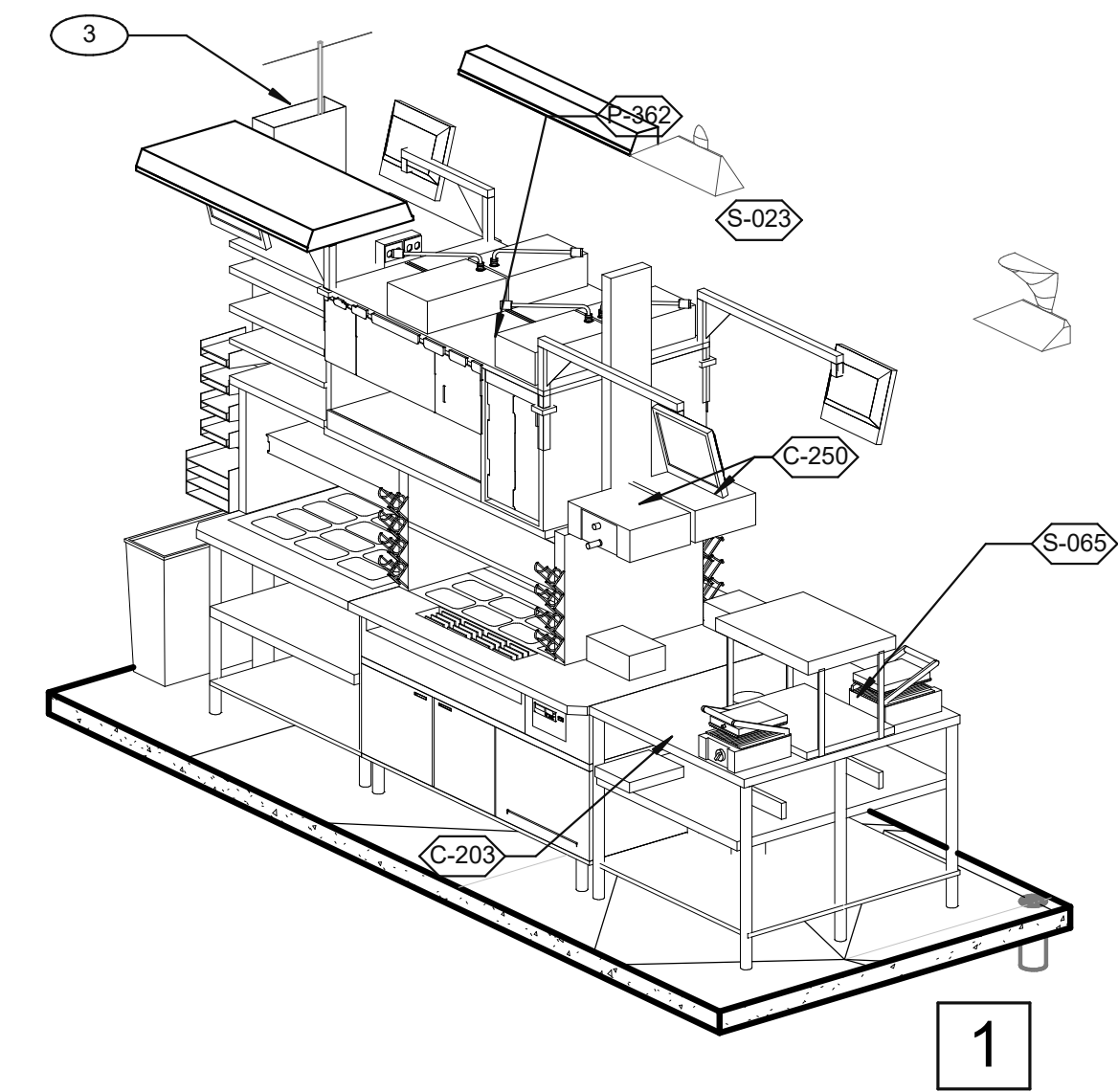
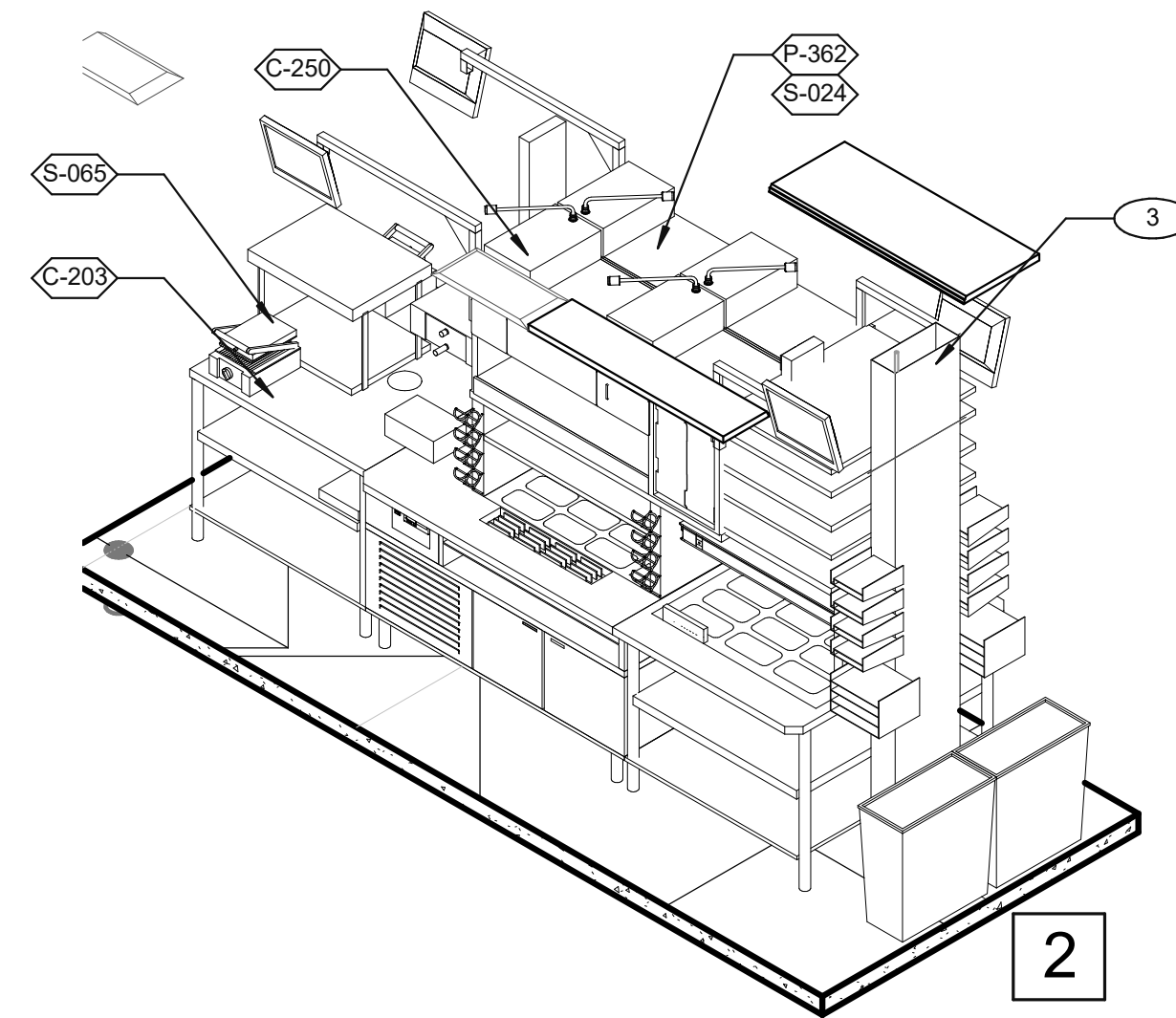
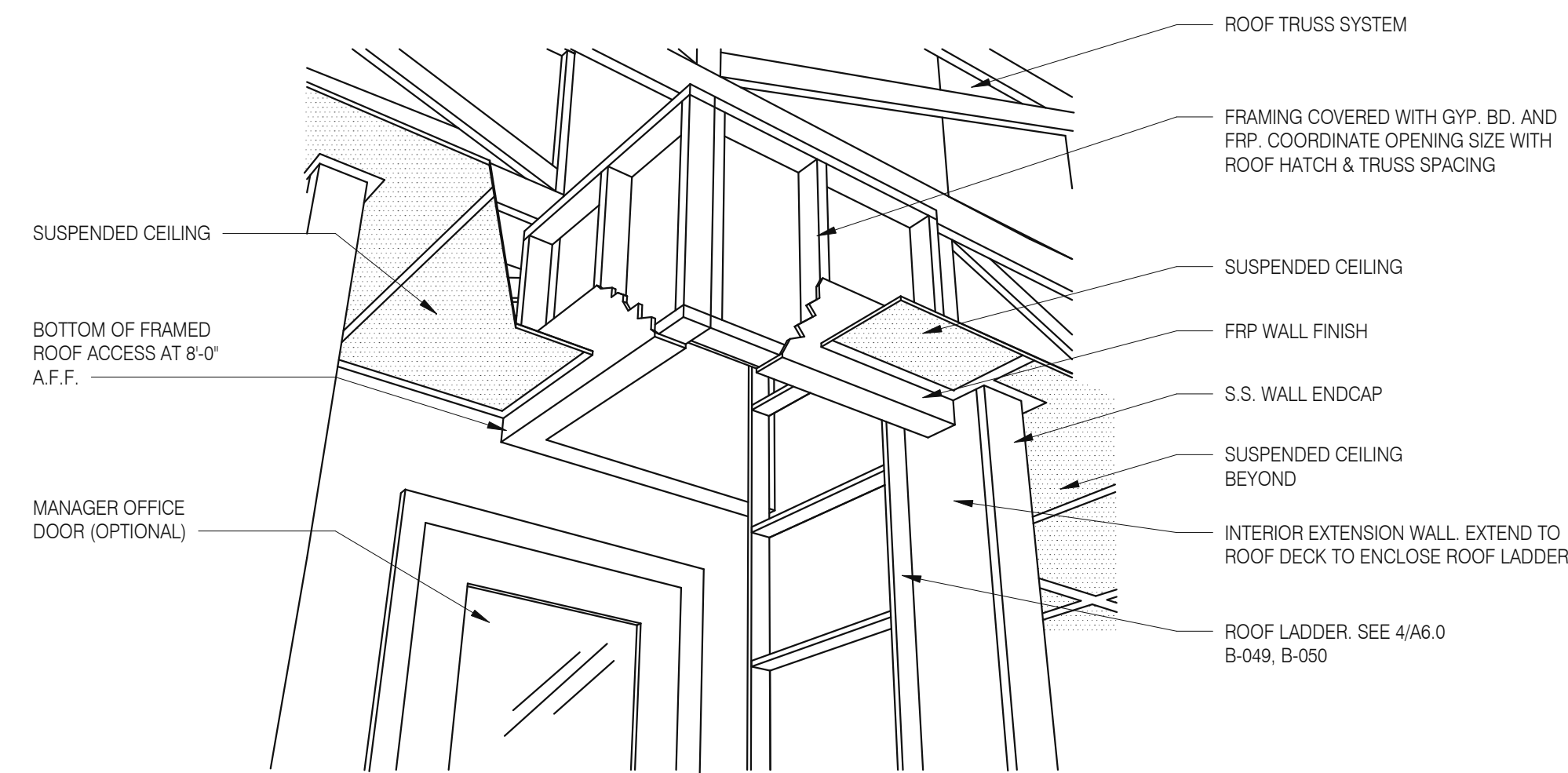


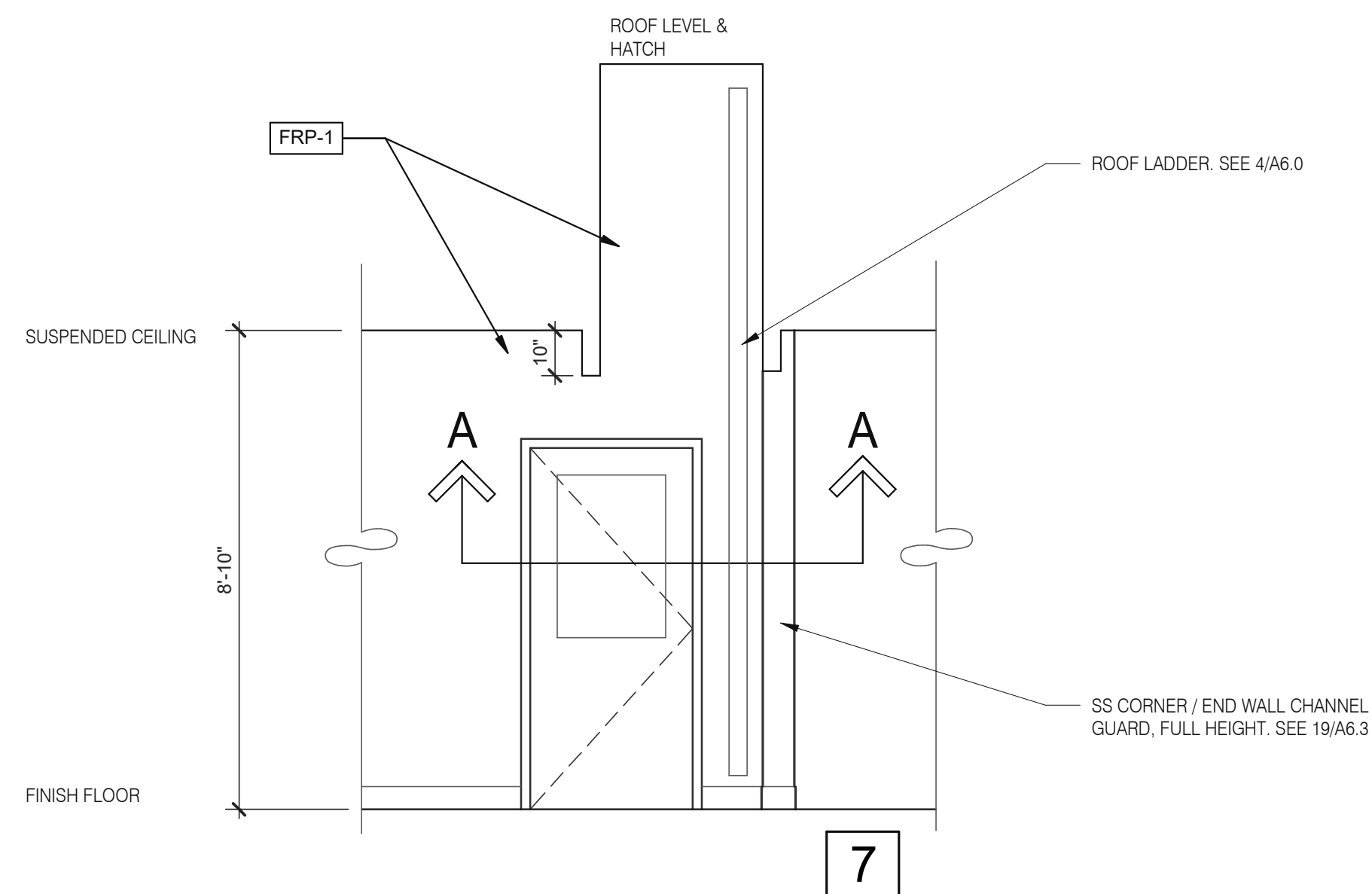
SERVING 3/8" = 1'-0"



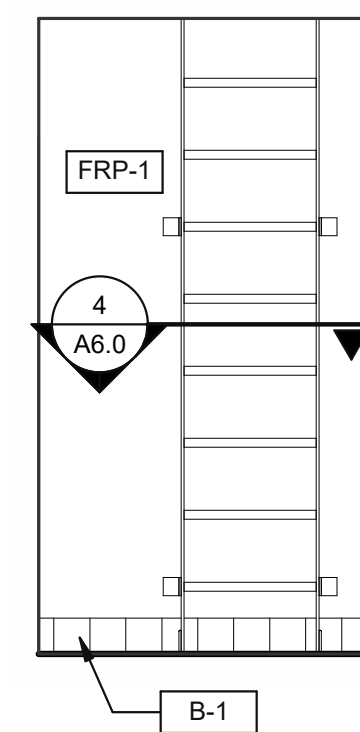
GTO DUE LINE 3/8" = 1'-0"



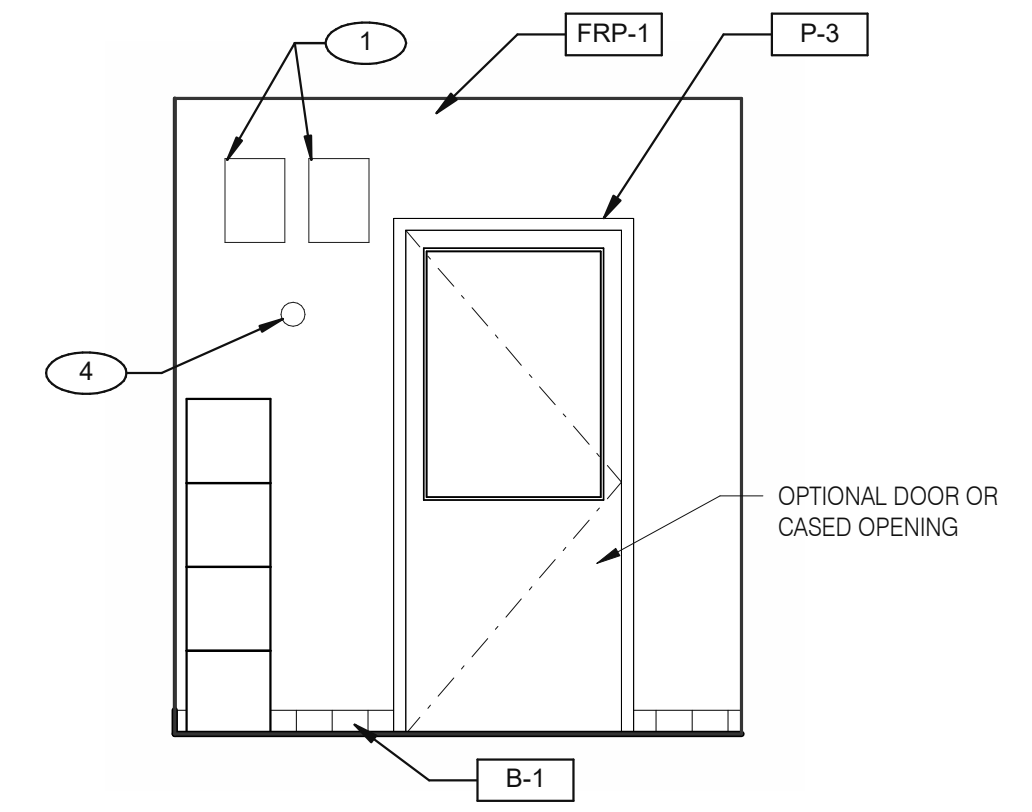
A - ROOF LADDER VIEW



ROOF ACCES PASSAGEWAY 3/8" = 1'-0" **B**



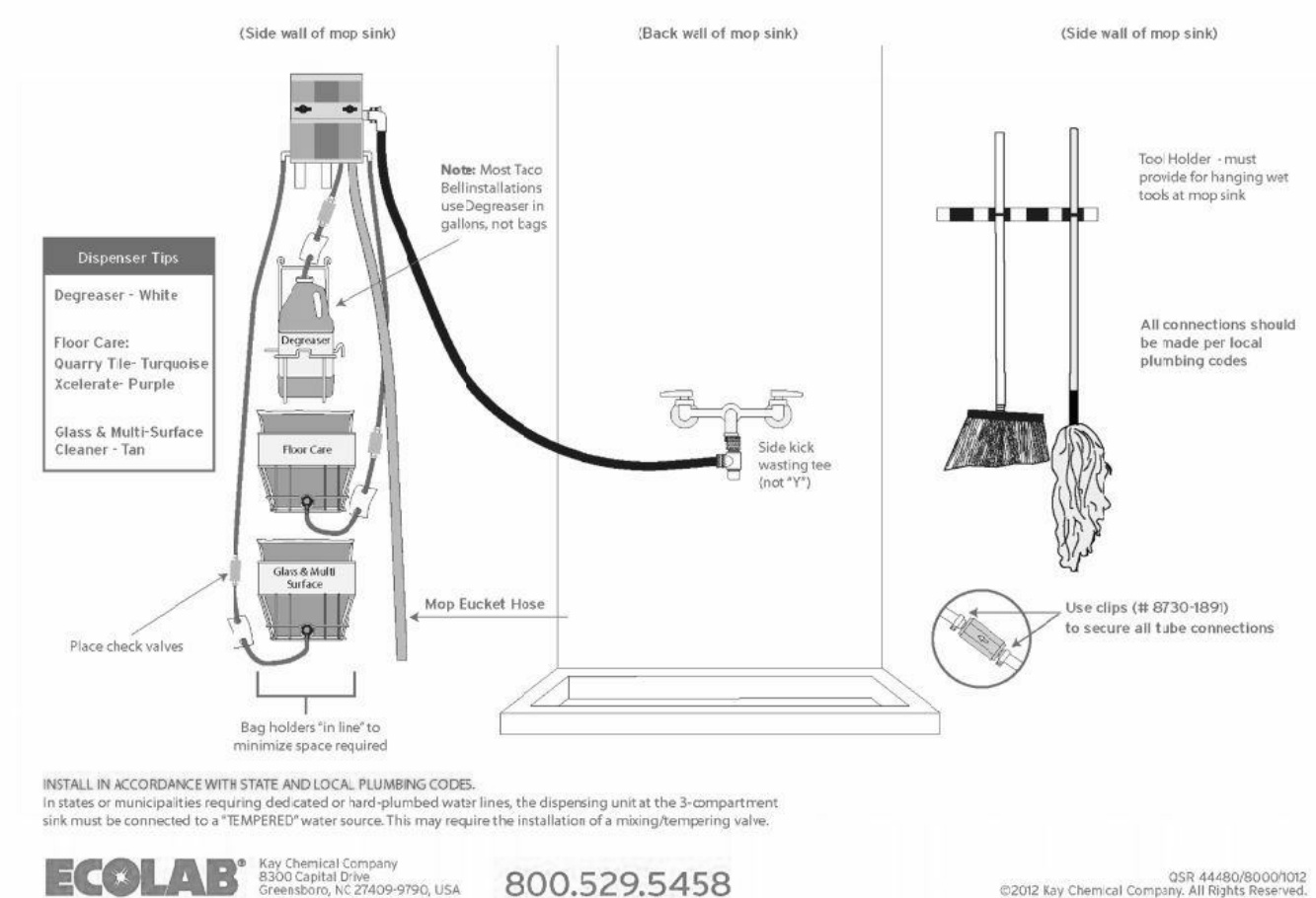
6



5

EMPLOYEE / STORAGE 3/8" = 1'-0"

Taco Bell Mop Sink Installation



INSTALL IN ACCORDANCE WITH STATE AND LOCAL PLUMBING CODES. In states or municipalities requiring dedicated or hard-plumbed water lines, the dispensing unit at the 3-compartment sink must be connected to a "TEMPERED" water source. This may require the installation of a mixing/tempering valve.

ECOLAB Key Chemical Company
6500 Capital Drive
Greensboro, NC 27409-9790, USA 800.529.5458

025 44-60/8000702
©2007 Key Chemical Company. All Rights Reserved.

MOP SINK INSTALLATION **C**

- 1 FAN MOTOR STARTERS, SURFACE MOUNTED. TYP. OF 2.
- 2 HOLD-UP BUTTON.
- 3 UTILITY CHASE.
- 4 TEMPERATURE SENSOR. SEE MECHANICAL DRAWINGS.

KEYNOTE **A**

