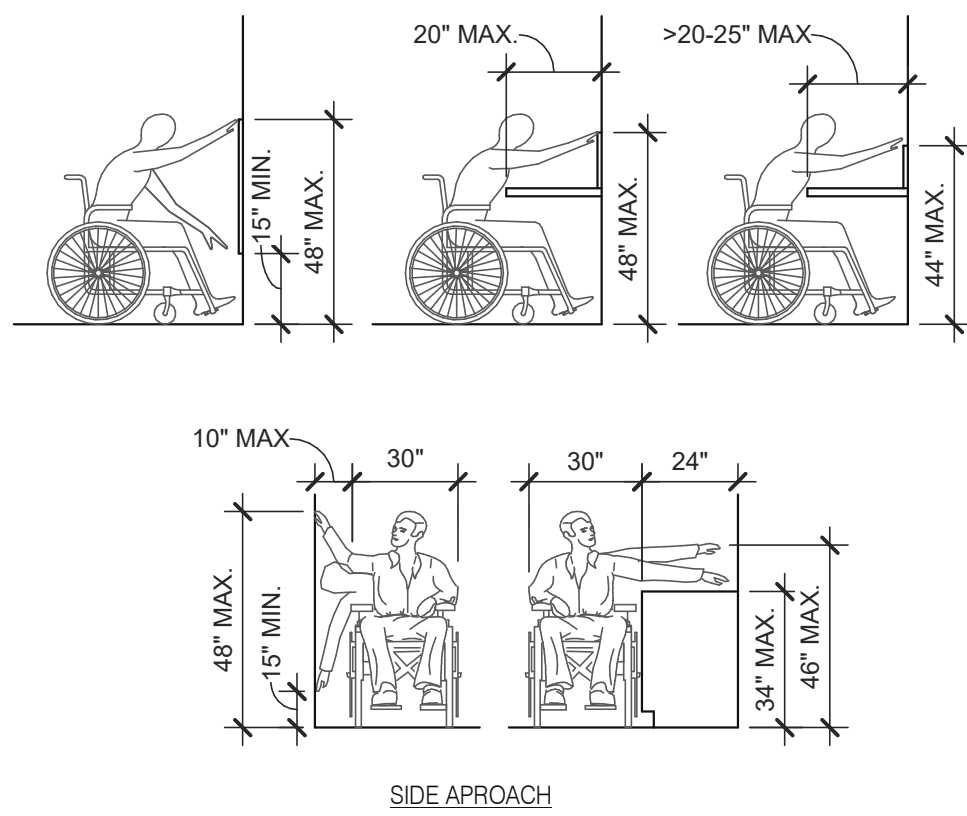


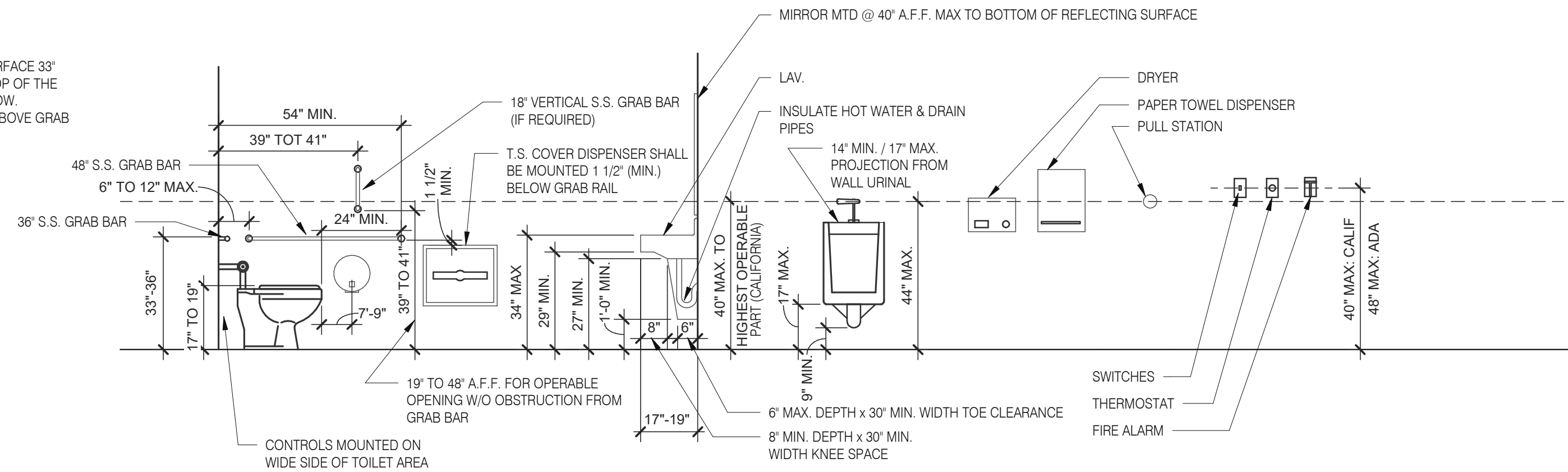
TOTAL SEATS	ACCESSIBLE SEATS
1 - 20	1
21 - 40	2
41 - 60	3
61 - 80	4
81 - 100	5
101 - 120	6
121 - 140	7

NUMBER OF ACCESSIBLE SEATS

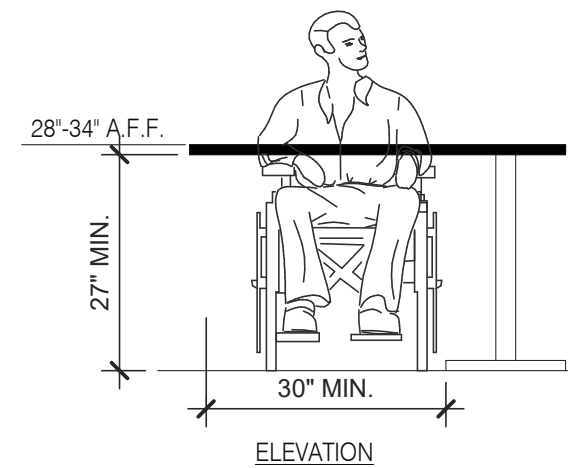


REACH RANGES 1/4" = 1'-0" 13

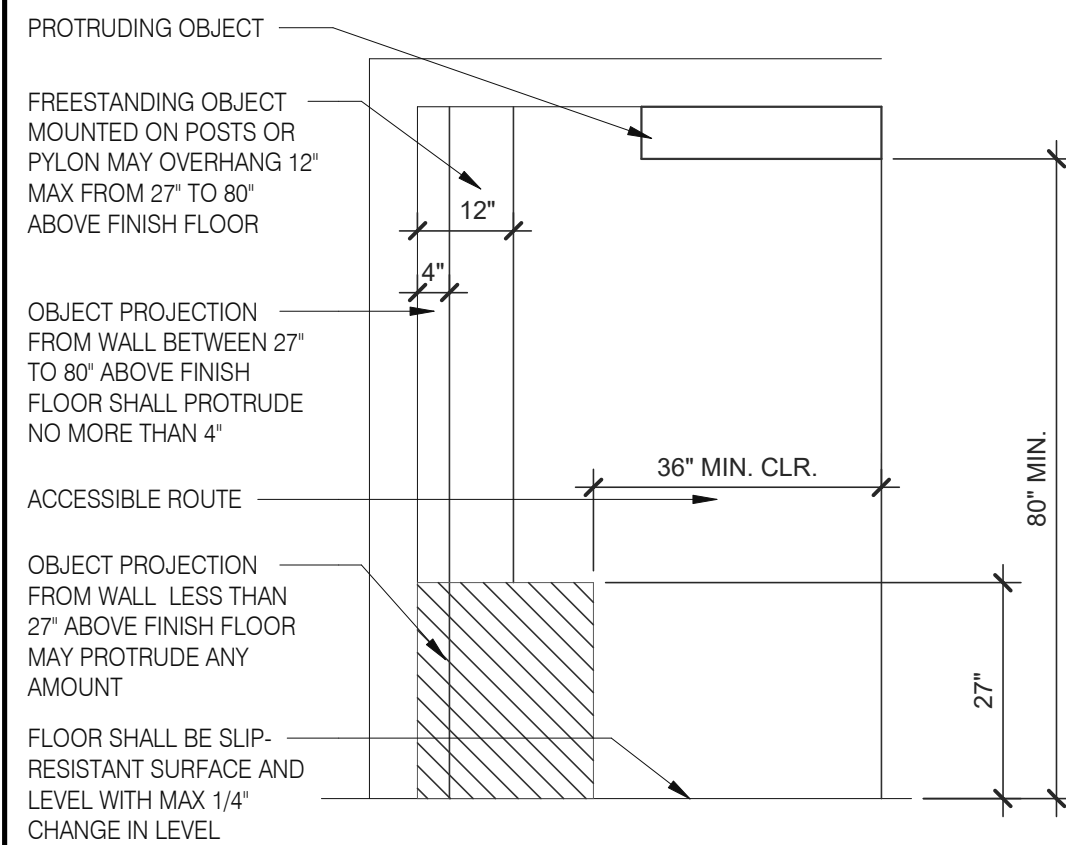
- NOTES
- TOP OF GRIPPING SURFACE 33" TO 36" MAX TO THE TOP OF THE BAR. SEE NOTES BELOW.
 - 12" MINIMUM CLEAR ABOVE GRAB BAR.



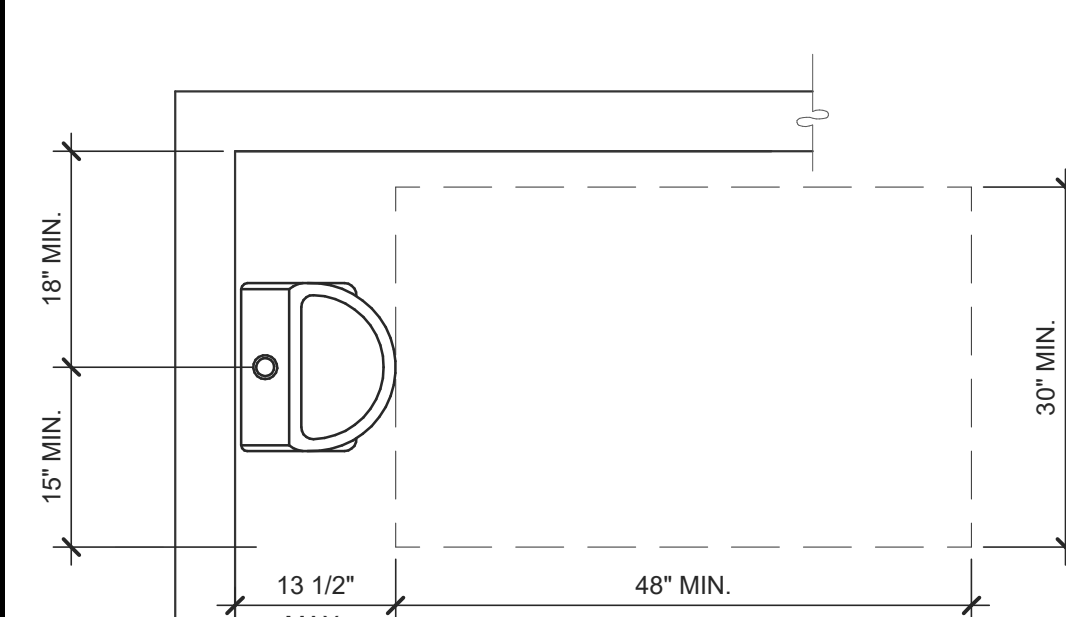
MOUNTING HEIGHTS & CLEARANCES FOR ACCESSIBILITY BY THE DISABLED 3/8" = 1'-0" 1



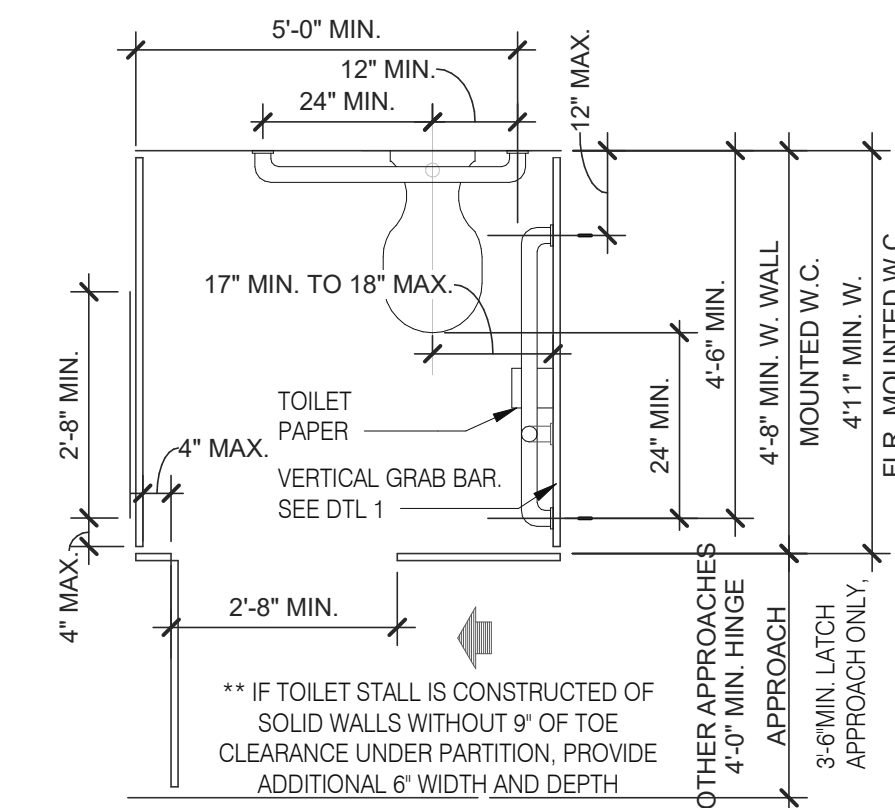
SEATING AND TABLES 1/2" = 1'-0" 18



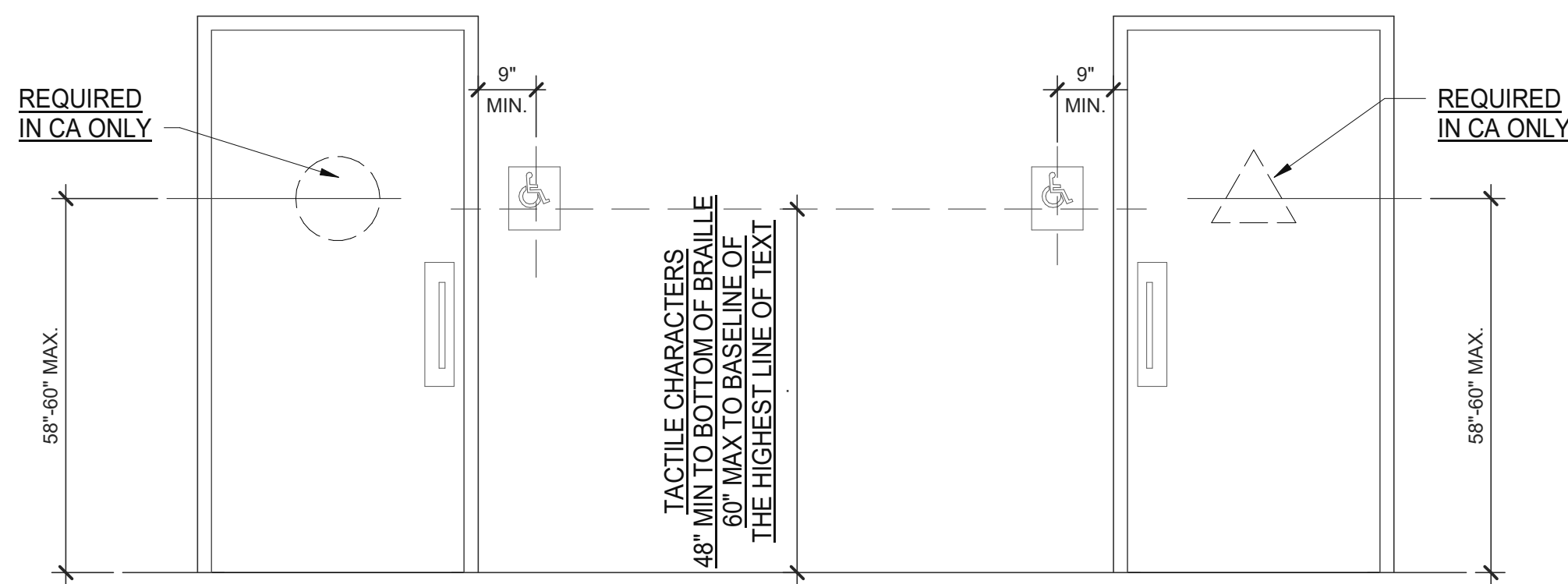
INT. ACCESS. ROUTE CLEARANCES 1/2" = 1'-0" 10



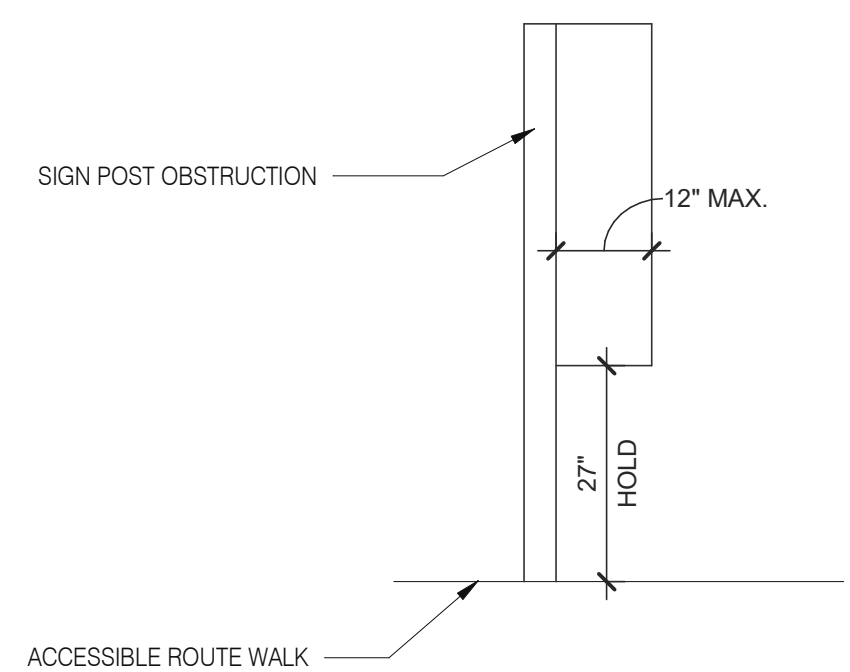
ACCESSIBLE URINAL 3/4" = 1'-0" 6



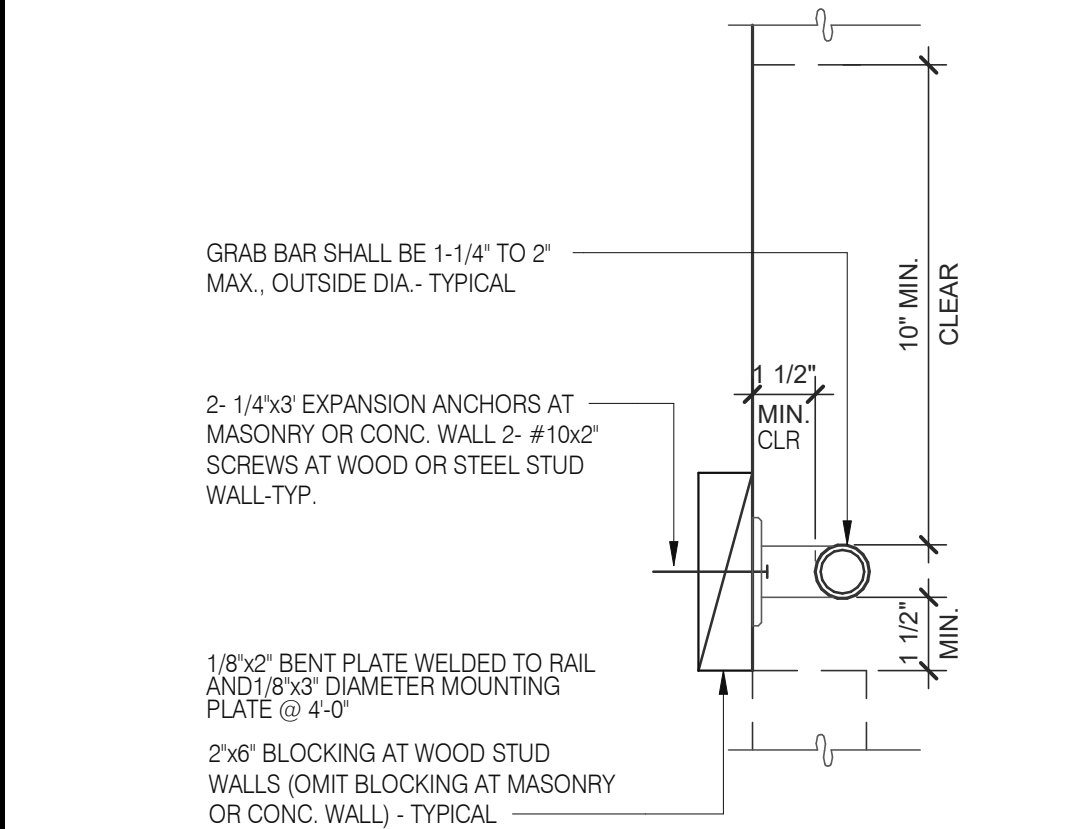
STANDARD TOILET STALL 1/2" = 1'-0" 2



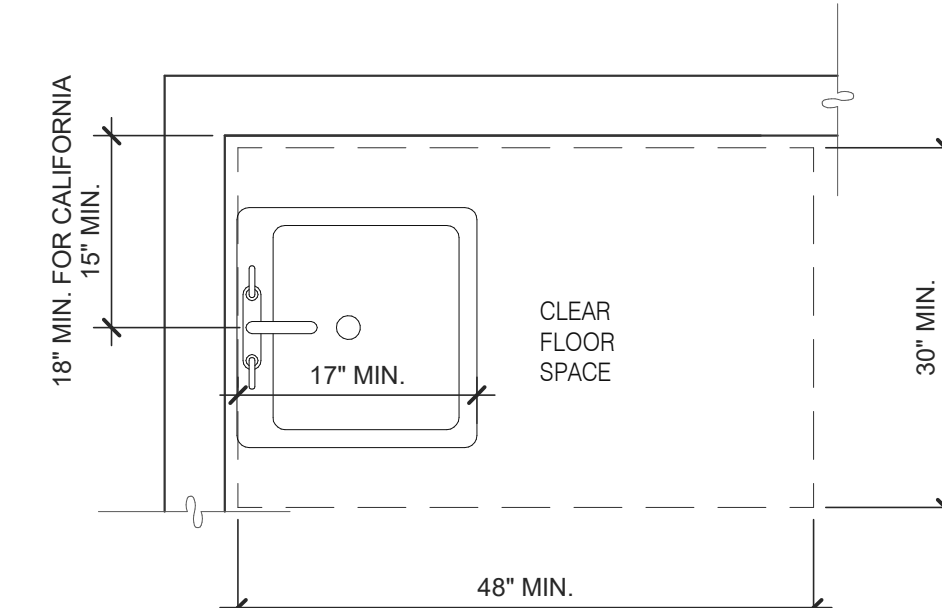
ACCESSIBLE RESTROOM DOORS 1/2" = 1'-0" 15



PROTRUDING HAZARDS 1/2" = 1'-0" 11

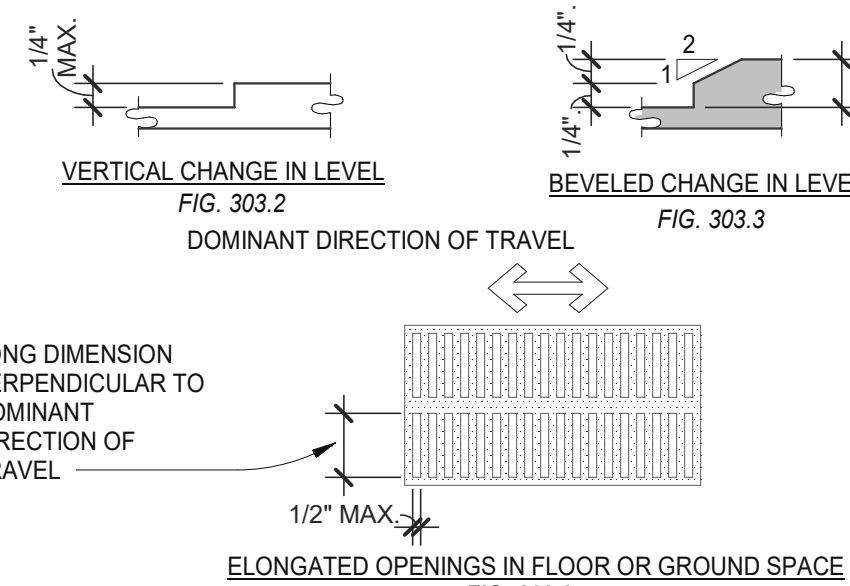


GRAB BAR 3" = 1'-0" 7

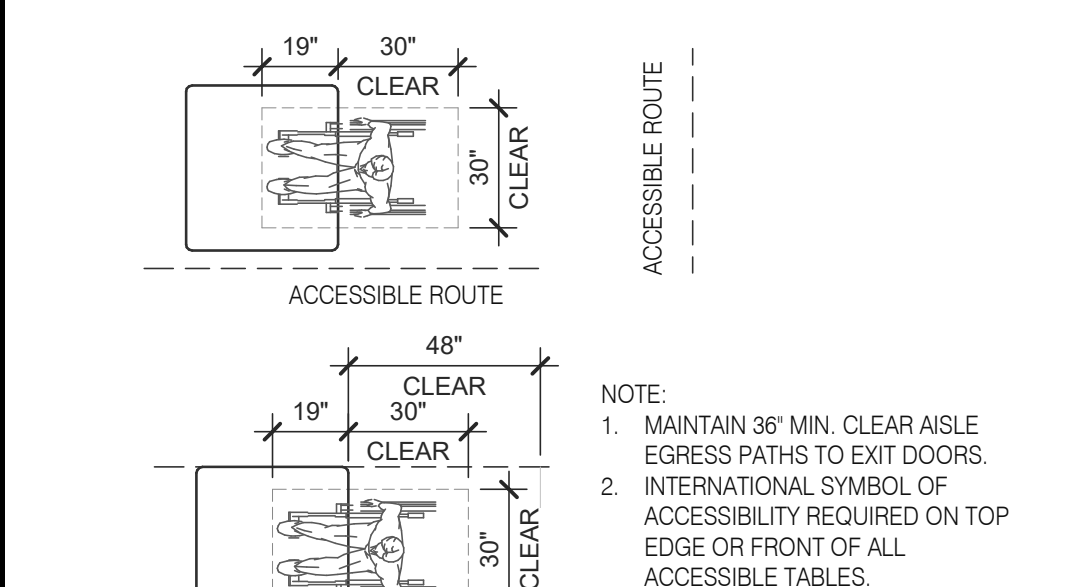


ACCESSIBLE LAVATORY 3/4" = 1'-0" 3

- NOTES
- FLOOR AND GROUND SURFACES SHALL BE STABLE, FIRM AND SLIP RESISTANT.
 - CARPET OR CARPET TILE SHALL BE SECURELY ATTACHED AND SHALL HAVE A FIRM CUSHION, PAD OR BACKING OR NO CUSHION OR PAD. CARPET OR CARPET TILE SHALL HAVE A LEVEL LOOP, TEXTURED LOOP, LEVEL CUT PILE, LEVEL CUT/UNCUT PILE TEXTURE. PILE HEIGHT SHALL COMPLY WITH CARPET PILE HEIGHT FIGURE BELOW. EXPOSED EDGES OF CARPET SHALL BE FASTENED TO FLOOR SURFACES AND SHALL HAVE TRIM ON THE ENTIRE LENGTH OF THE EXPOSED EDGE. CARPET EDGE SHALL COMPLY WITH CHANGE IN LEVEL FIGURES BELOW.



CHANGES IN LEVEL 1/2" = 1'-0" 12



DINING SEATING CLEARANCES N.T.S. 8

1. INDICATED DIMENSIONS, HEIGHTS, DEPTHS, AREAS AND OTHER GRAPHIC INFORMATION ARE PROVIDED AS MINIMUMS THAT MUST BE MAINTAINED. THESE MINIMUMS ARE BASED UPON YUM STANDARDS AND MAY EXCEED ADA REQUIREMENTS.
- THE DETAILS SHOWN ARE CONCEPTUAL ONLY AND INTENDED TO SHOW ABSOLUTE MINIMUMS AND SHALL BE COORDINATED WITH THE OTHER CONSTRUCTION DOCUMENTS ASSOCIATED WITH THIS PROJECT.
- 60" TURNING SPACE
 - PERMITTED OVERLAP LIMITED TO 1 ARM OF T-SHAPED SPACE
 - CAN OVERLAP FIXTURE & DOOR CLEARANCE
 - DOOR CAN SWING INTO TURNING SPACE A MAXIMUM OF 12"
 - RESTROOM, IN GENERAL, DOOR SWING MUST BE OUTSIDE OF THE FIXTURE CLEAR FLOOR SPACE HOWEVER A DOOR CAN SWING INTO FIXTURE CLEAR FLOOR SPACE IF WHEELCHAIR SPACE 30"x48" IS PROVIDED BEYOND THE DOOR SWING.
 - TOILET ROOM MUST ALLOW FOR SIDE TRANSFER - 42" BETWEEN FIXTURES.
 - ADAPT TEAM TO VERIFY LOCAL CODE REQUIREMENTS.

GENERAL NOTES 4

18048.20003

CONTRACT DATE:
 BUILDING TYPE: END. MED40
 PLAN VERSION: MARCH 2020
 SITE NUMBER: 314443
 STORE NUMBER: #000000

TACO BELL

615 METROPOLITAN AVE
 LEAVENWORTH, KS 66048



ENDEAVOR 1.0
**ACCESSIBILITY
 REQUIREMENTS**

ADA1.0

PLOT DATE: 10/5/2020 4:31:53 PM