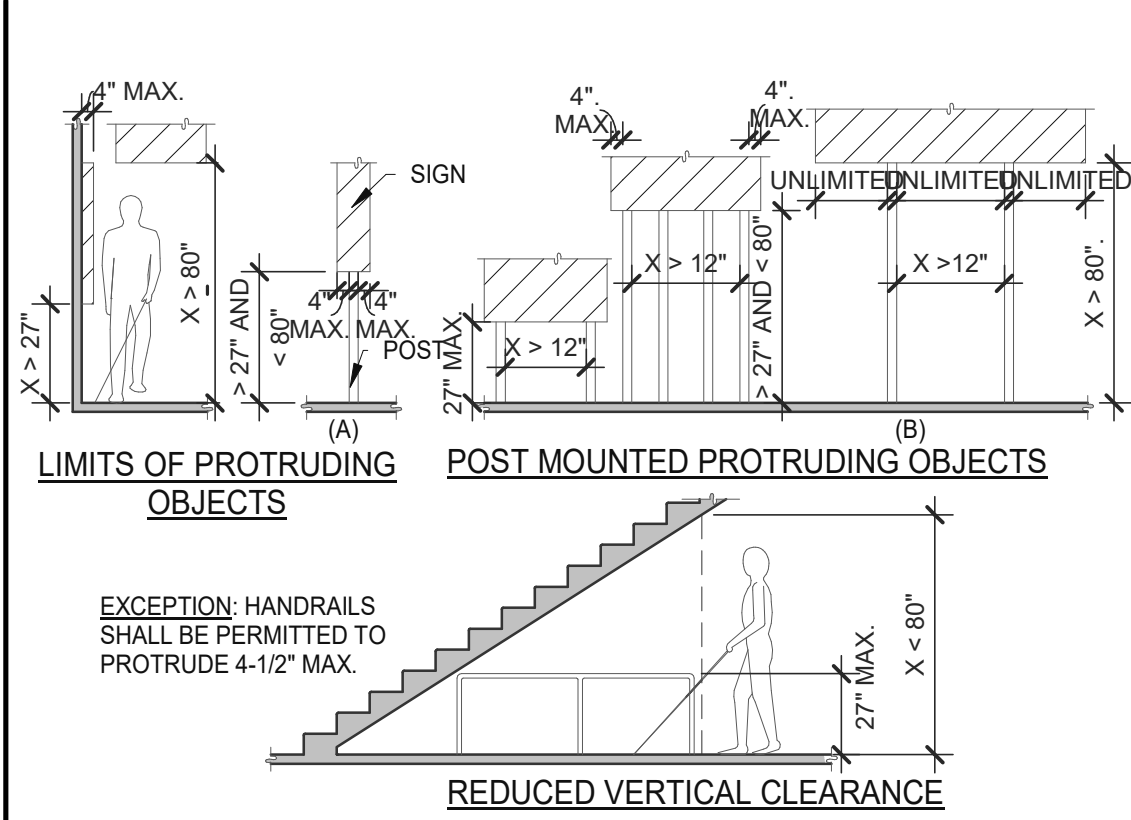
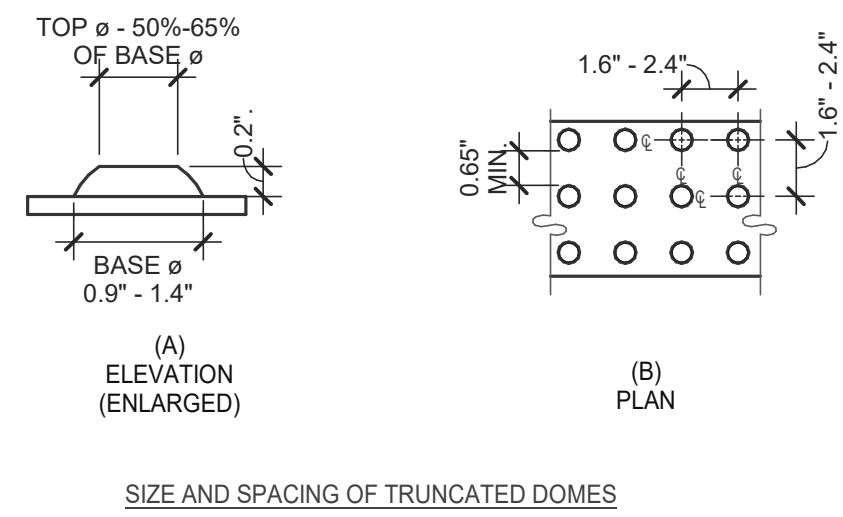


CLEAR WIDTH 1/4" = 1'-0" **17**



PROTRUDING OBJECTS 3/16" = 1'-0" **13**

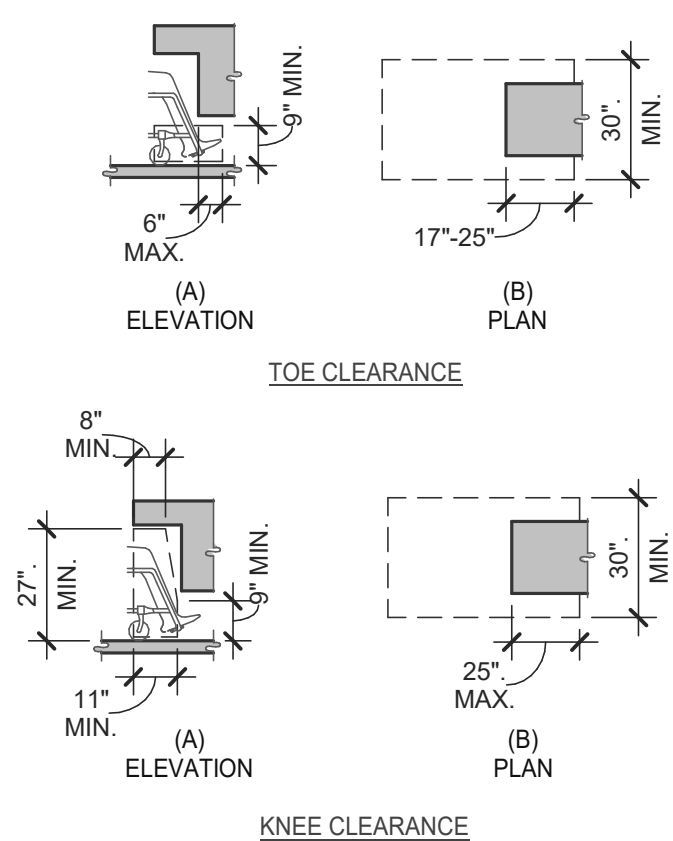


DETECTABLE WARNINGS 3" = 1'-0" **14**

PARKING SPACES

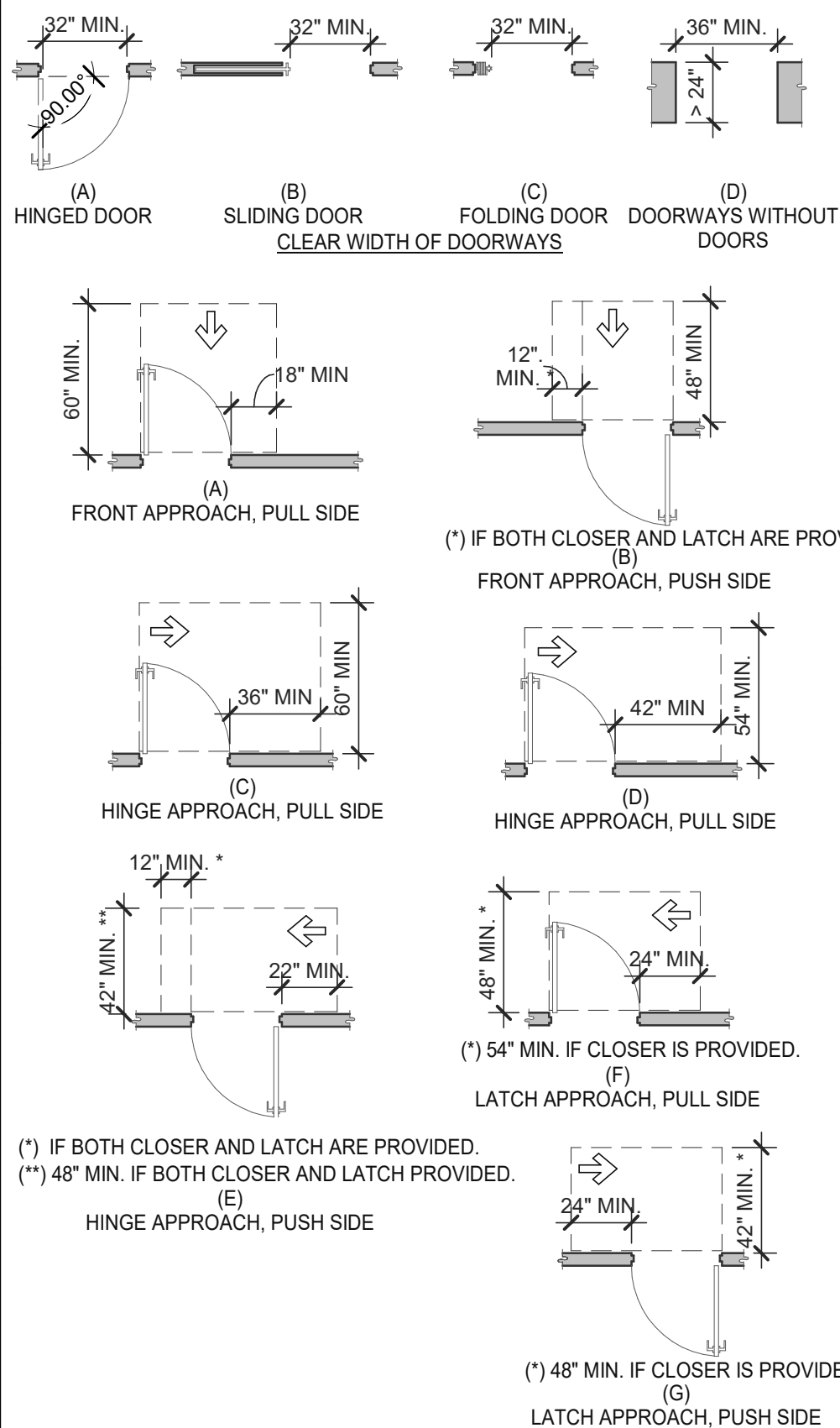
TOTAL NUMBER OF PARKING SPACES PROVIDED IN PARKING FACILITY	MINIMUM NUMBER OF REQUIRED ACCESSIBLE PARKING SPACES
1 TO 25	1
26 TO 50	2
51 TO 75	3
76 TO 100	4
101 TO 150	5
151 TO 200	6
201 TO 300	7
301 TO 400	8
401 TO 500	9
501 TO 1000	2 PERCENT OF TOTAL
1001 AND OVER	20, PLUS 1 FOR EACH 100, OR FRACTION THEREOF, OVER 1000

PARKING SPACES 6" = 1'-0" **15**

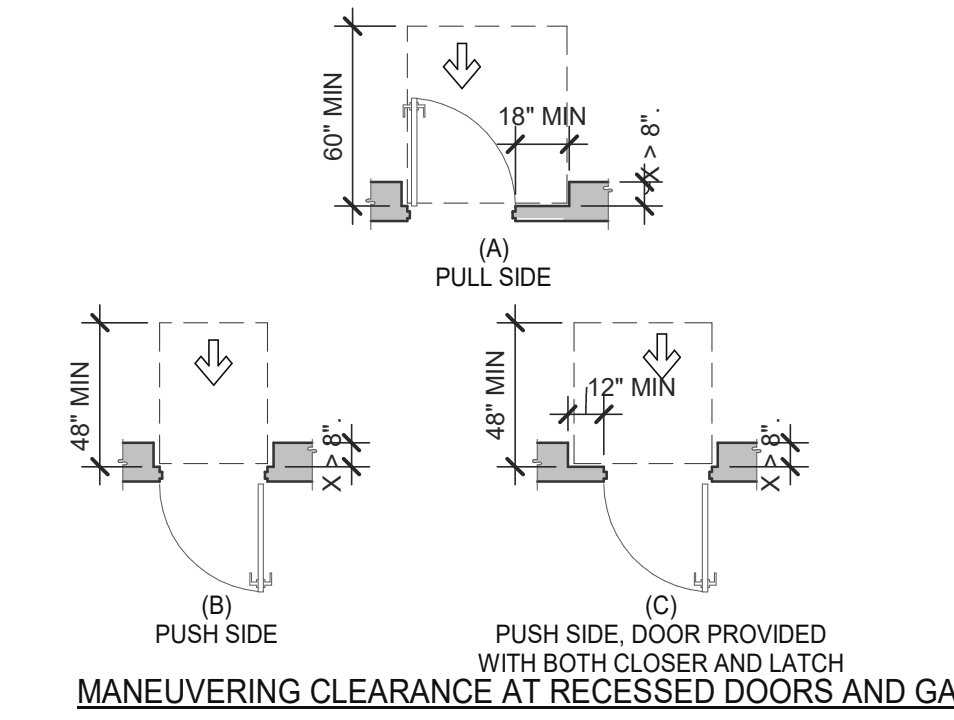


KNEE AND TOE CLEARANCE 1/4" = 1'-0" **16**

NOTES:
 1. FLOOR OR GROUND SURFACE WITHIN REQUIRED MANEUVERING CLEARANCES SHALL COMPLY WITH FLOOR OR GROUND SURFACES & CHANGES IN LEVEL DETAIL AND SHALL HAVE A SLOPE NOT STEEPER THAN 1:48. CHANGES IN LEVEL ARE NOT PERMITTED AT DOOR LANDINGS.
 2. THRESHOLDS, IF PROVIDED AT DOORWAYS SHALL BE 1/2" HIGH MAX. RAISED THRESHOLDS AND CHANGES IN LEVEL AT DOORWAYS SHALL COMPLY WITH FLOOR OR GROUND SURFACES & CHANGES IN LEVEL DETAIL.
 3. HANDLES, PULLS, LATCHES, LOCKS AND OTHER OPERABLE PARTS ON DOORS AND GATES SHALL BE OPERABLE WITH ONE HAND AND SHALL NOT REQUIRE TIGHT GRASPING, PINCHING OR TWISTING OR THE WRIST.
 4. THE FORCE REQUIRED TO ACTIVATE OPERABLE PARTS SHALL BE 5 LBS (22.5 N) MAX.
 5. OPERABLE PARTS OF DOOR HARDWARE SHALL BE 34" MIN. AND 48" MAX. ABOVE THE FINISH FLOOR OR GROUND.
 6. WHERE SLIDING DOORS ARE IN THE FULLY OPEN POSITION, OPERATING HARDWARE SHALL BE EXPOSED AND USABLE FROM BOTH SIDES.
 7. DOOR AND GATE CLOSERS SHALL BE ADJUSTED SO THAT FROM AN OPEN POSITION OF 90° THE TIME REQUIRED TO MOVE THE DOOR TO A POSITION OF 12° FROM THE LATCH IS 5 SECONDS MIN.
 8. DOOR AND GATE SPRING HINGES SHALL BE ADJUSTED SO THAT FROM THE OPEN POSITION OF 70° THE DOOR OR GATE SHALL MOVE TO THE CLOSED POSITION IN 1.5 SECONDS MIN.
 9. THE FORCE FOR PUSHING OR PULLING OPEN A DOOR OR GATE SHALL BE AS FOLLOWS:
 9.1. INTERIOR HINGED DOORS AND GATES: 5 LBS (22.5 N) MAX.
 9.2. SLIDING OR FOLDING DOORS: 5 LBS (22.5 N) MAX.
 9.3. REQUIRED FIRE DOORS: THE MINIMUM OPENING FORCE ALLOWABLE BY THE APPROPRIATE ADMINISTRATIVE AUTHORITY, NOT TO EXCEED 15 LBS (66.7N).
 9.4. EXTERIOR HINGED DOORS: 5 LBS (22.5 N) MAX.
 10. SWINGING DOOR AND GATE SURFACES WITHIN 10" OF THE FINISH FLOOR OR GROUND MEASURED VERTICALLY SHALL HAVE A SMOOTH SURFACE ON THE PUSH SIDE EXTENDING THE FULL WIDTH OF THE DOOR OR GATE. PARTS CREATING HORIZONTAL OR VERTICAL JOINTS IN THESE SURFACES SHALL BE WITHIN 1/16" OF THE SAME PLANE AS THE OTHER AND BE FREE OF SHARP OR ABRASIVE EDGES. CAVITIES CREATED BY ADDED KICK PLATES SHALL BE CAPPED.
 11. WHERE AUTOMATIC AND POWER-ASSISTED DOORS AND GATES WITHOUT STANDBY POWER ARE PART OF A MEANS OF EGRESS THE CLEAR BREAK OUT OPENING AT SWINGING OR SLIDING DOORS AND GATES SHALL BE 32" MIN. WHEN OPERATED IN EMERGENCY MODE.

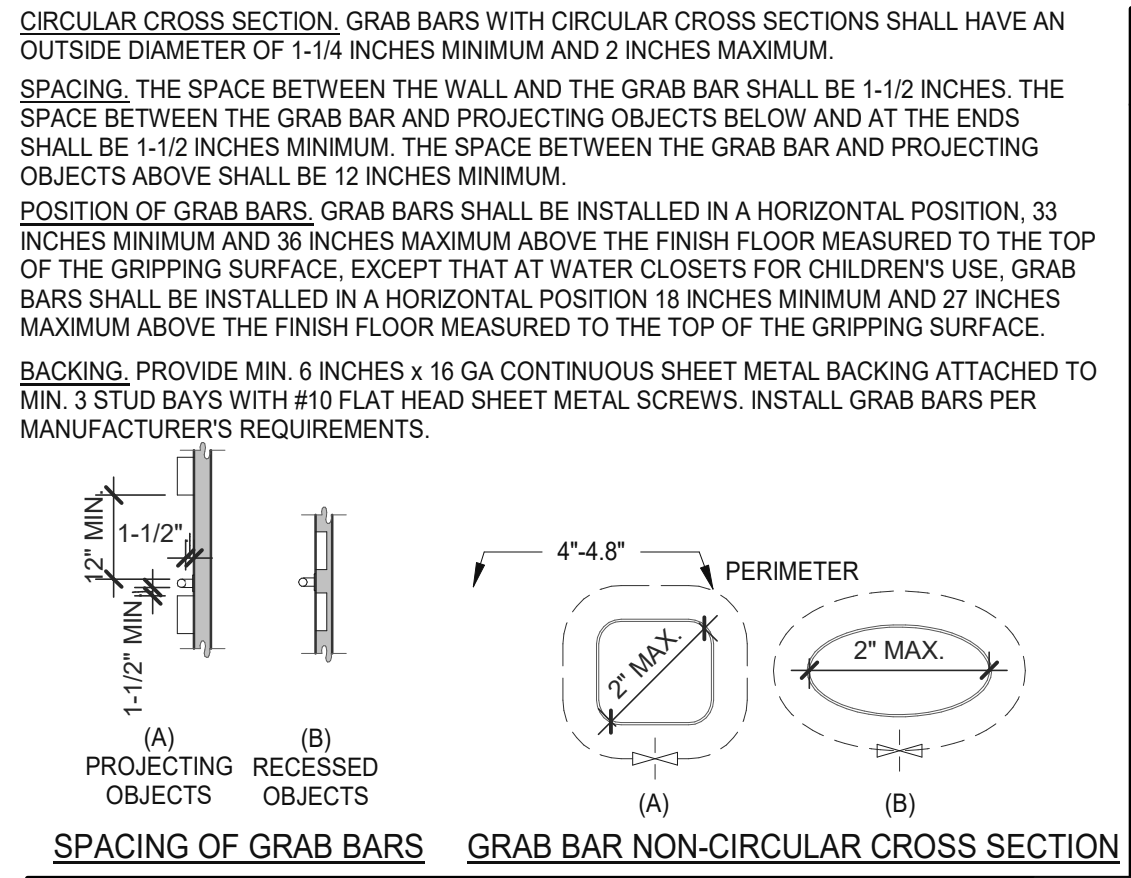


MANEUVERING CLEARANCE AT MANUAL SWINGING DOORS AND GATES

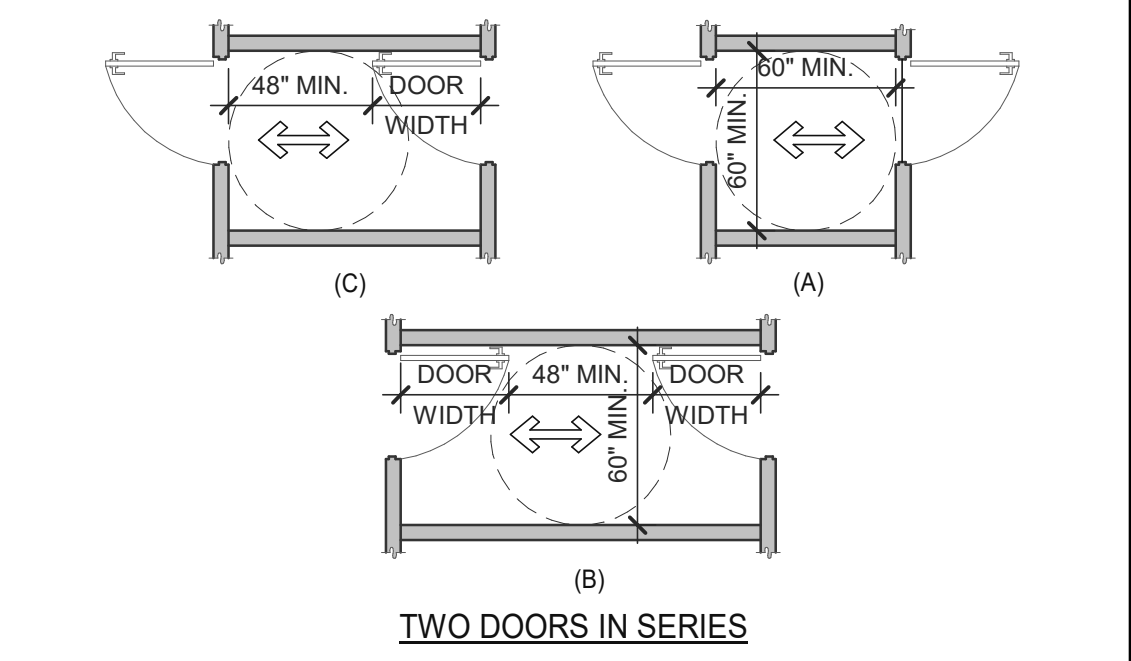


MANEUVERING CLEARANCE AT RECESSED DOORS AND GATES

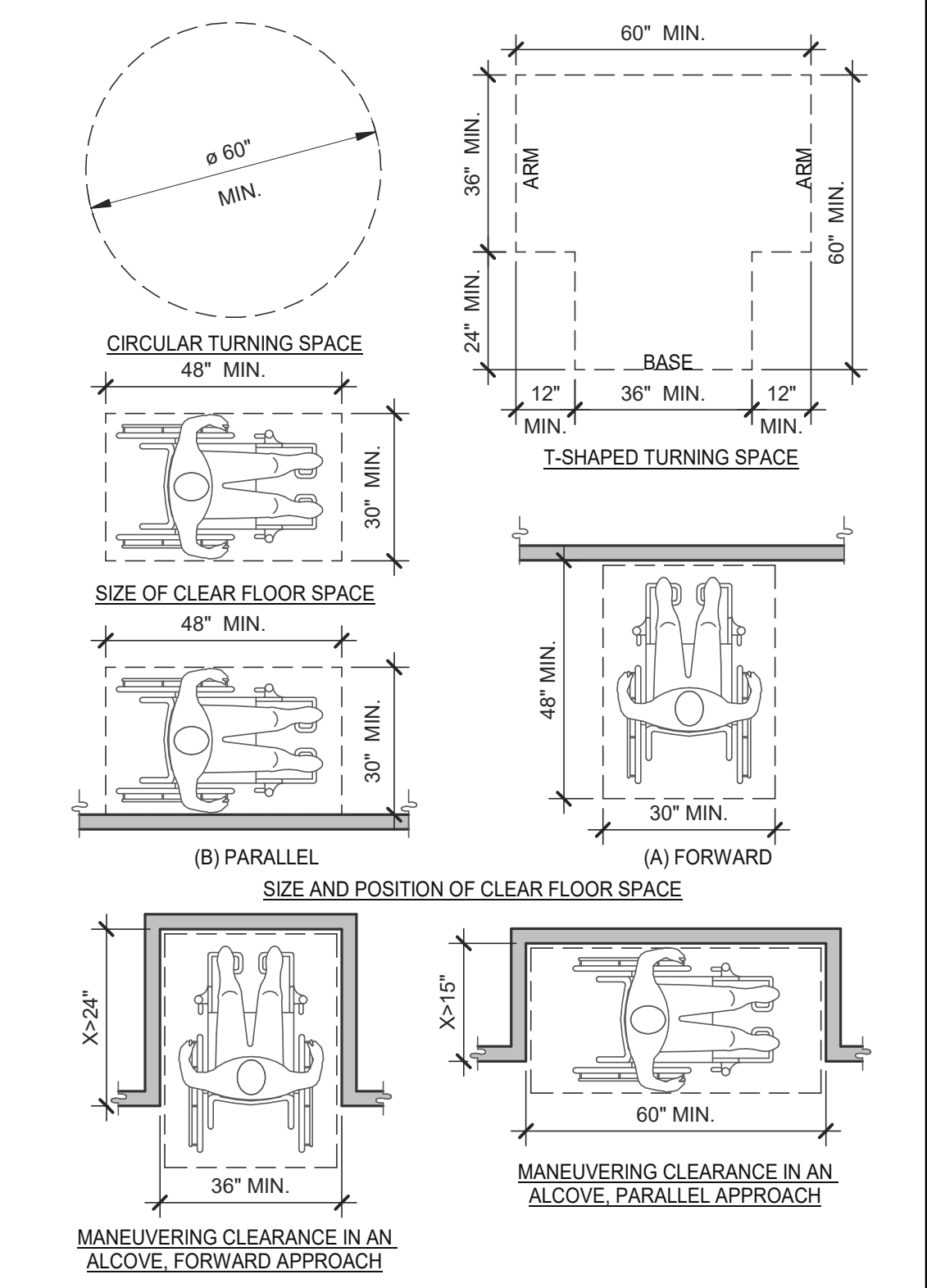
DOORS, DOORWAYS & GATES 3/16" = 1'-0" **12**



GRAB BARS 3/16" = 1'-0" **5**



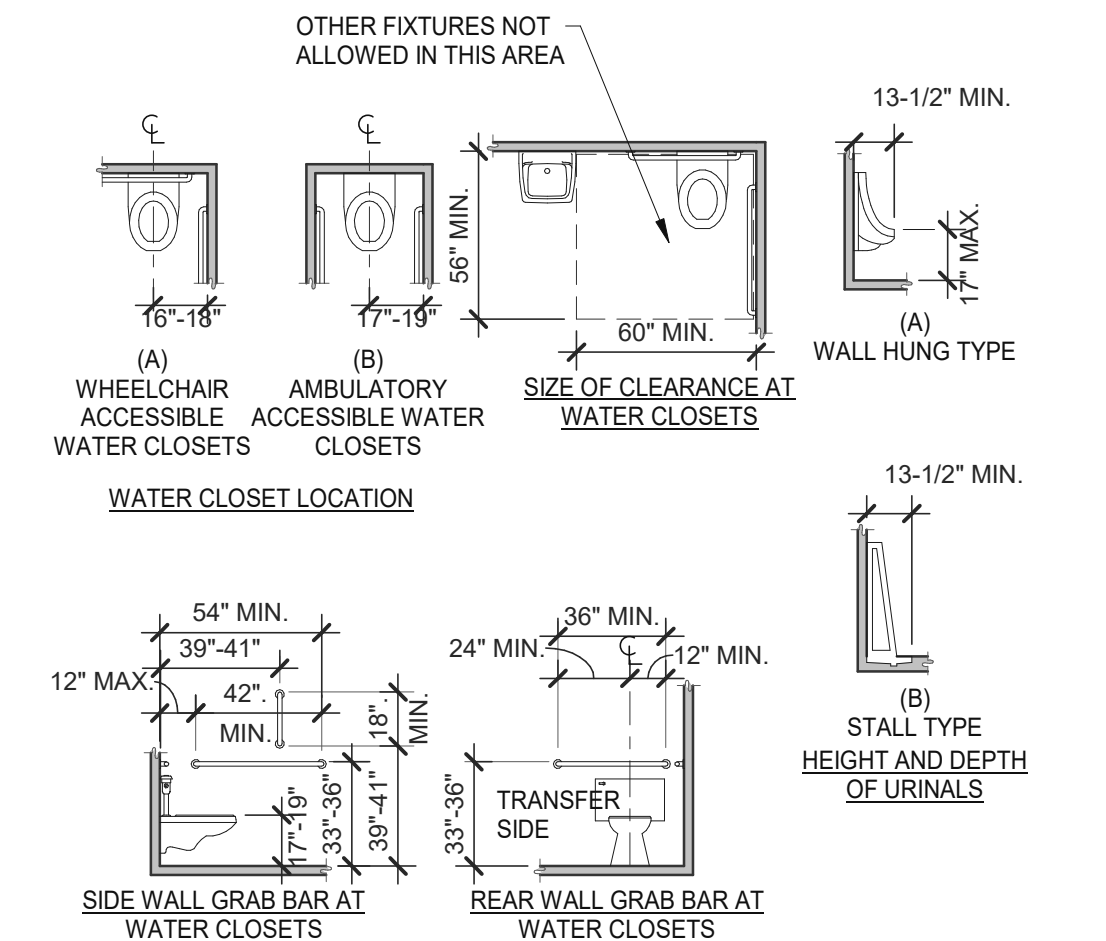
DOORS, DOORWAYS & GATES 3/16" = 1'-0" **6**



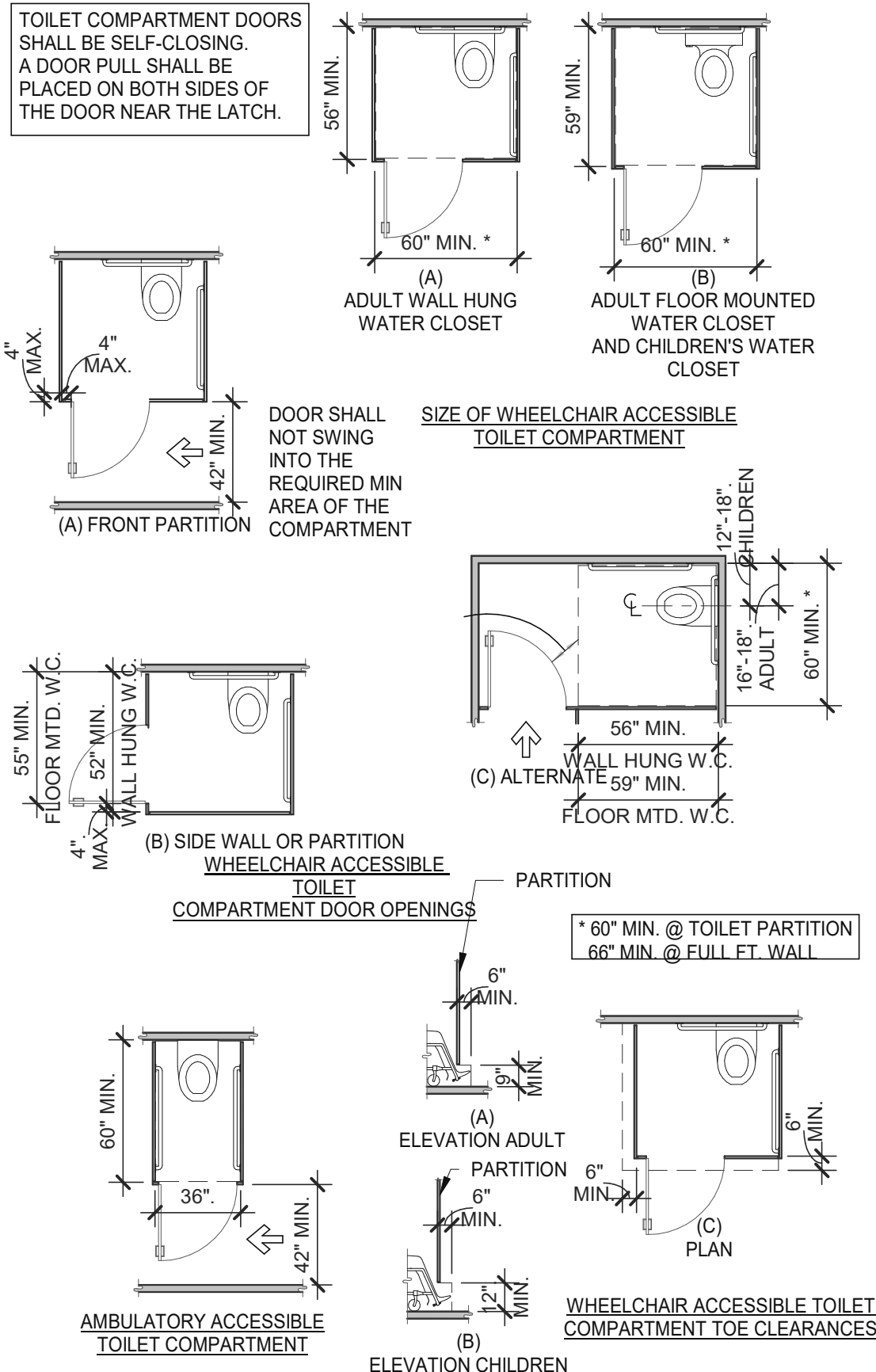
CLEAR FLOOR OR GROUND SPACE 3/8" = 1'-0" **8**

ACCESSIBILITY NOTES

- "THE ACCESSIBILITY GUIDELINES AND CODES" MENTIONED BELOW REFER TO ALL APPLICABLE LOCAL/STATE BUILDING CODES REFERENCED ON THE PROJECT DATA SHEET OF THIS SET IN ADDITION TO THE FEDERAL REQUIREMENTS OF THE ADA (THE AMERICANS WITH DISABILITIES ACT).
- DETAILS ON THIS SHEET ARE FOR REFERENCE ONLY. REFER TO THE ACCESSIBILITY GUIDELINES AND CODES FOR ALL ACCESSIBILITY REQUIREMENTS.
- THE GENERAL CONTRACTOR SHALL BECOME FAMILIAR WITH THE ACCESSIBILITY GUIDELINES AND CODES.
- ANY DISCREPANCY CONTAINED HEREIN DOES NOT RELIEVE THE GENERAL CONTRACTOR OR OWNER FROM COMPLYING WITH THE ACCESSIBILITY GUIDELINES AND CODES.
- ADAPT TEAM TO VERIFY LOCAL CODE REQUIREMENTS.



DISPENSER OUTLET LOCATIONS TO COMPLY WITH FIGURE 604.7 OF ICC A117.1-2017



WC AND TOILET COMPARTMENTS 3/16" = 1'-0" **4**



18048.20003

CONTRACT DATE:
 BUILDING TYPE: END. MED40
 PLAN VERSION: MARCH 2020
 SITE NUMBER: 314443
 STORE NUMBER: #000000

TACO BELL
 615 METROPOLITAN AVE
 LEAVENWORTH, KS 66048



**ENDEAVOR 1.0
 ACCESSIBILITY
 REQUIREMENTS**

ADA1.2

PLOT DATE: 10/5/2020 4:32:04 PM