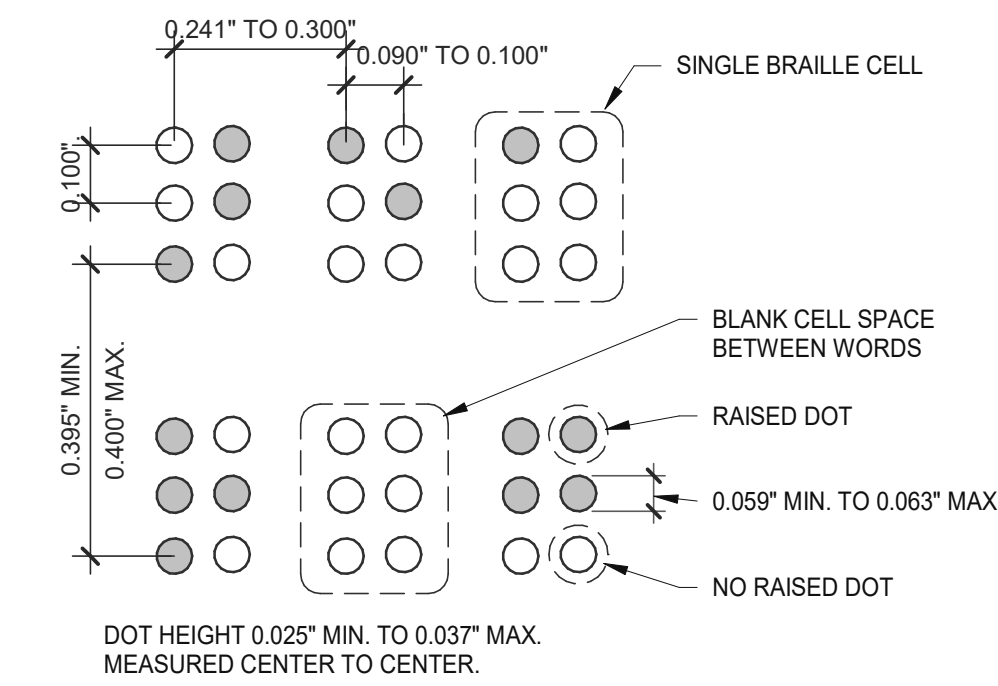
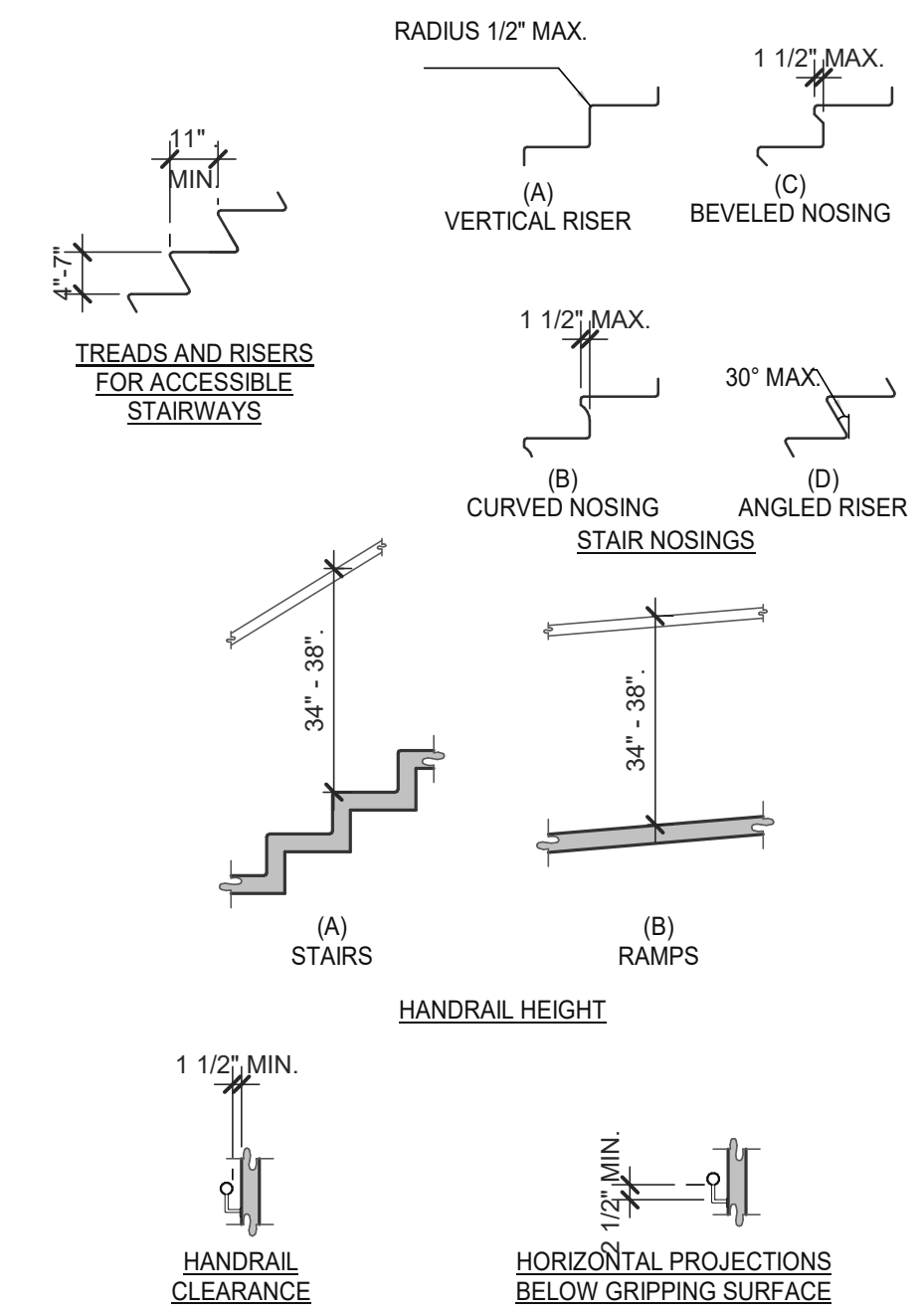
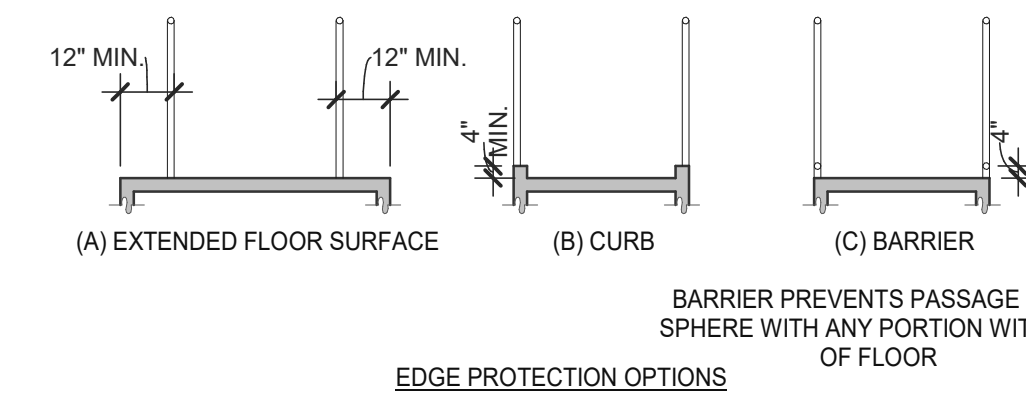
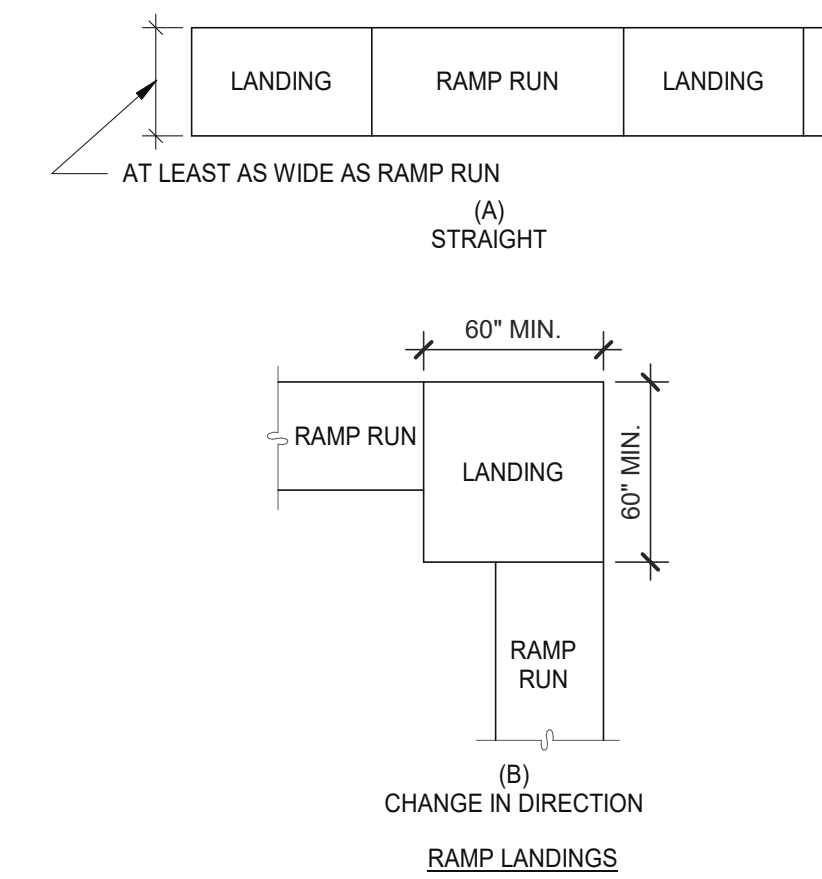


BM 3/07/18048.20003_TacoBell_Leavenworth18048.20003_A_TACO-BELL-LEAVENWORTH_V18.rvt

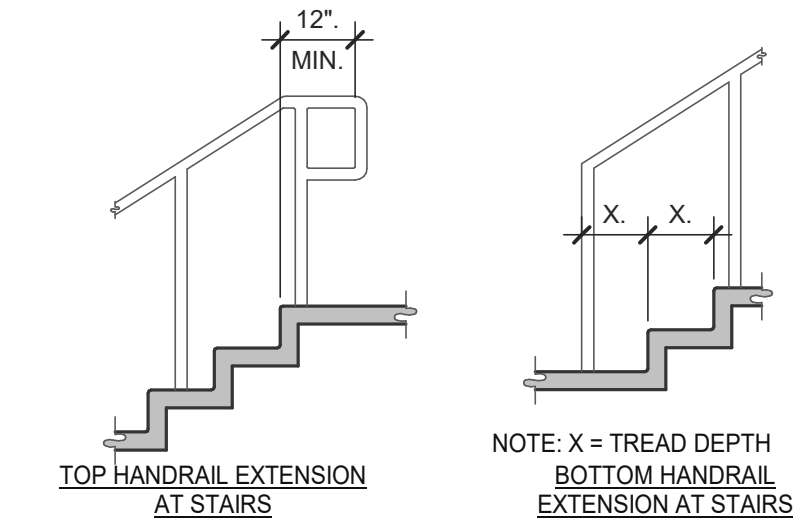
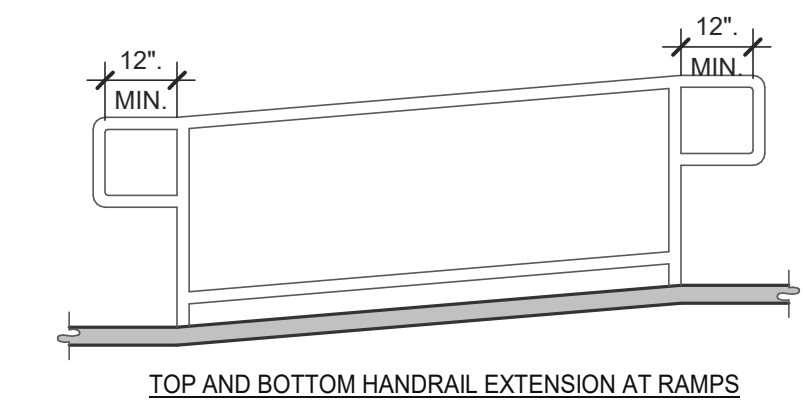
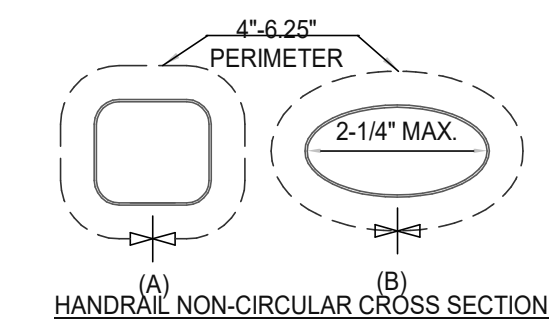
- NOTES:
1. OPEN RISERS ARE NOT PERMITTED.
 2. TREAD SURFACES SHALL COMPLY WITH (FLOOR OR GROUND SURFACES & CHANGES IN LEVEL) DETAIL.
 3. THE LEADING 2" OF THE TREAD SHALL HAVE VISUAL CONTRAST OF DARK-ON-LIGHT OR LIGHT-ON-DARK FROM THE REMAINDER OF THE TREAD.
 4. HANDRAIL GRIPPING SURFACES SHALL BE CONTINUOUS ALONG THEIR LENGTH AND SHALL NOT BE OBSTRUCTED ALONG THEIR TOPS OR SIDES. THE BOTTOM OF THE HANDRAIL GRIPPING SURFACES SHALL NOT BE OBSTRUCTED FOR MORE THAN 20 PERCENT OF THEIR LENGTH. WHERE PROVIDED, HORIZONTAL PROJECTIONS SHALL OCCUR 1-1/2" MINIMUM BELOW THE BOTTOM OF THE HANDRAIL GRIPPING SURFACE.
 5. HANDRAIL GRIPPING SURFACES WITH CIRCULAR CROSS SECTIONS SHALL HAVE AN OUTSIDE DIAMETER OF 1-1/4" (32 MM) MINIMUM AND 2" MAXIMUM.
 6. HANDRAIL GRIPPING SURFACES AND ANY SURFACES ADJACENT TO THEM SHALL BE FREE OF SHARP OR ABRASIVE ELEMENTS AND SHALL HAVE ROUNDED EDGES.
 7. HANDRAILS SHALL NOT ROTATE WITHIN THEIR FITTINGS.



BRAILLE MEASUREMENT 1/4" = 1'-0" 6



RAMPS 3/16" = 1'-0" 8



STAIRWAYS AND HANDRAILS 3/8" = 1'-0" 4



18048.20003

- △
- △
- △
- △
- △
- △

CONTRACT DATE:

BUILDING TYPE: END. MED40

PLAN VERSION: MARCH 2020

SITE NUMBER: 314443

STORE NUMBER: #000000

TACO BELL

615 METROPOLITAN AVE
LEAVENWORTH, KS 66048



ENDEAVOR 1.0
ACCESSIBILITY
REQUIREMENTS

ADA1.3

PLOT DATE: 10/5/2020 4:32:05 PM