

THE DEDICATED POS POWER CIRCUIT REQUIRES AN ISOLATED GROUND IN ADDITION TO THE NORMAL COMMON BUILDING GROUND. THE ISOLATED GROUND WIRE SERVES TWO PURPOSES:  
 \* AS A SAFETY PATH TO GROUND.  
 \* AS A ZERO REFERENCE POINT FOR ALL POS DIGITAL LOGIC.

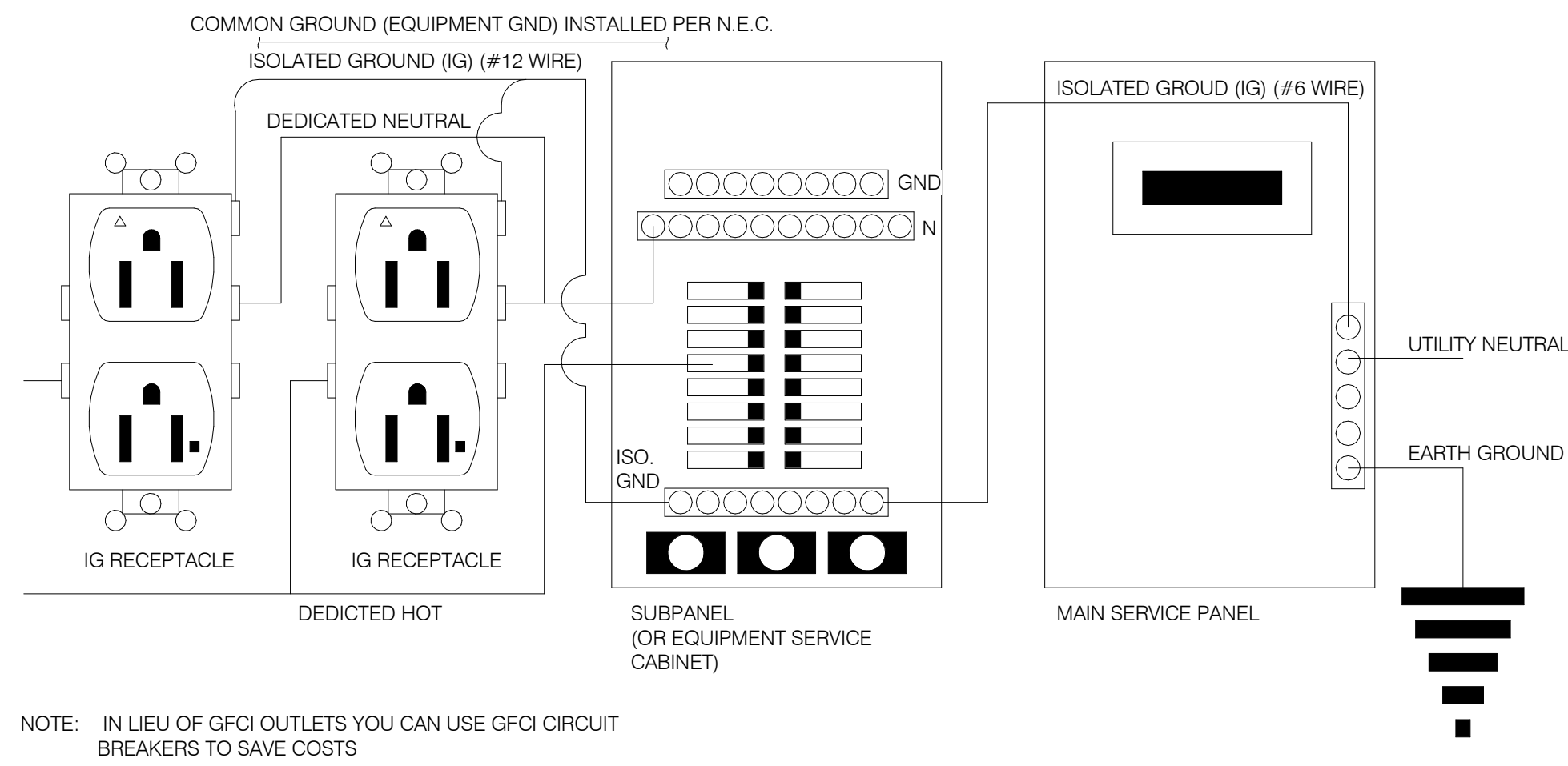
THE GROUND MUST EXHIBIT THE LOWEST POSSIBLE IMPEDANCE TO MINIMIZE VOLTAGE TRANSIENTS AND NOISE.

BE SURE TO:

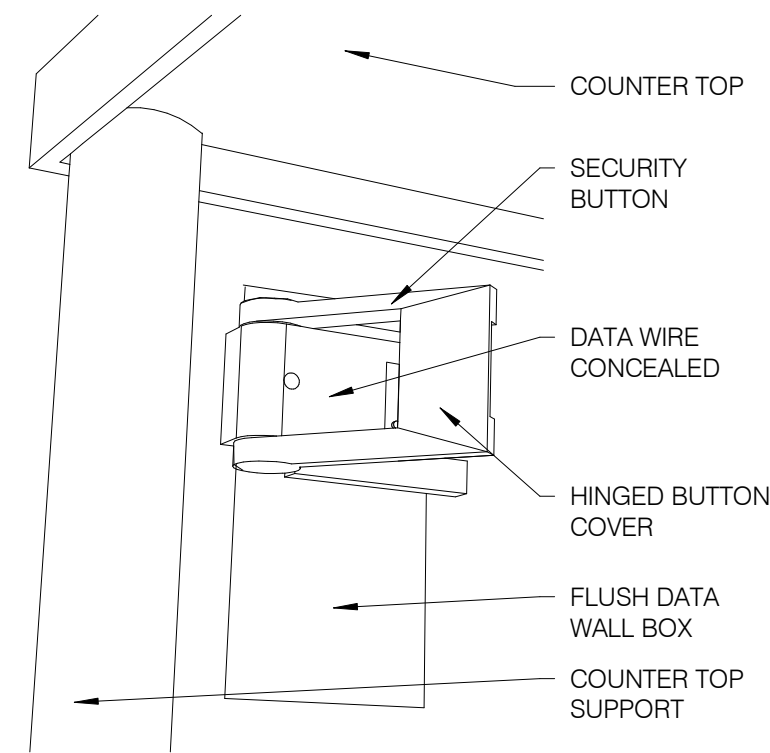
- \* USE AN INSULATED CONDUCTOR FOR THE ISOLATED GROUND WIRE.
- \* RUN THE ISOLATED GROUND WIRE THROUGH THE SAME CONDUIT AS THE HOT AND NEUTRAL WIRES.
- \* INSTALL ONLY ISOLATED GROUND (IG) TYPE RECEPTACLES.
- \* CONNECT THE ISOLATED GROUND WIRE TO BUILDING GROUND ONLY AT THE MAIN SERVICE PANEL.
- \* VERIFY THAT IG RECEPTACLES PRE-WIRED IN OWNER SUPPLIED EQUIPMENT HAVE A TRUE ISOLATED GROUND THAT CAN BE TRACED BACK TO THE BUILDING GROUND AT THE MAIN SERVICE PANEL.

DO NOT CONNECT THE ISOLATED GROUND WIRE TO THE CONDUIT, JUNCTION BOXES, THE FRAME ON A SUBPANEL, OR ANY OTHER METAL SURFACE.

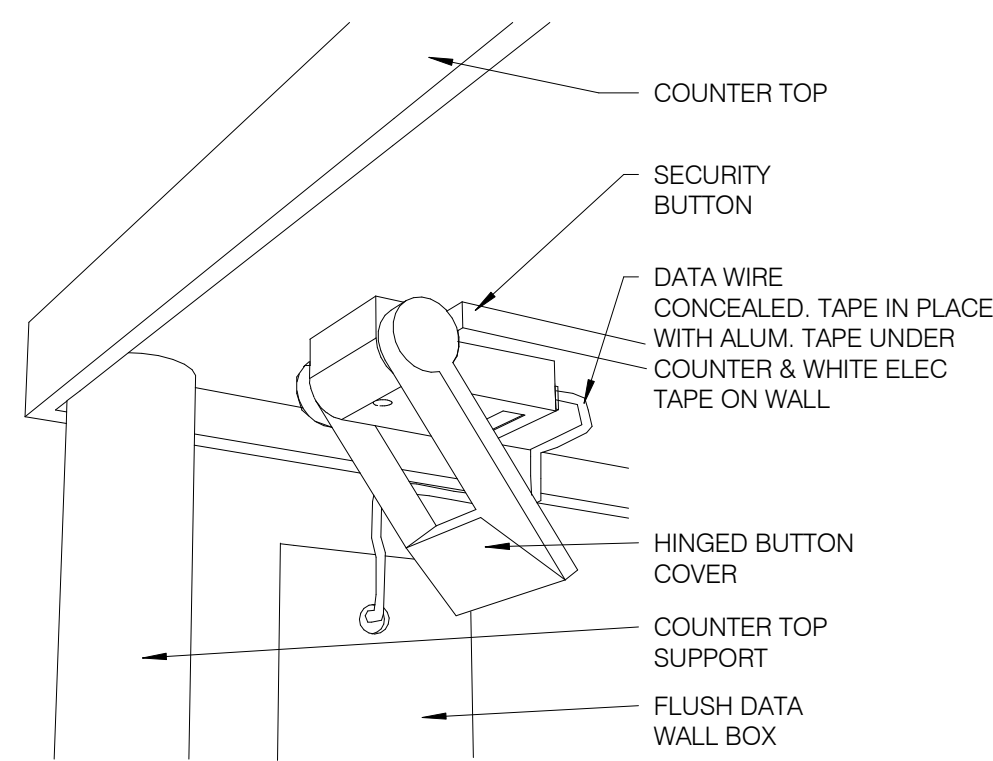
**DEDICATED CIRCUITS:** DEDICATED CIRCUITS REQUIRE A DEDICATED HOT AND A DEDICATED NEUTRAL THAT ARE NOT SHARED WITH ANY OTHER CIRCUITS. IG RECEPTACLES MUST BE "PHASE ALIGNED" WITH THE "B" PHASE OF BUILDING SUBPANEL "A".



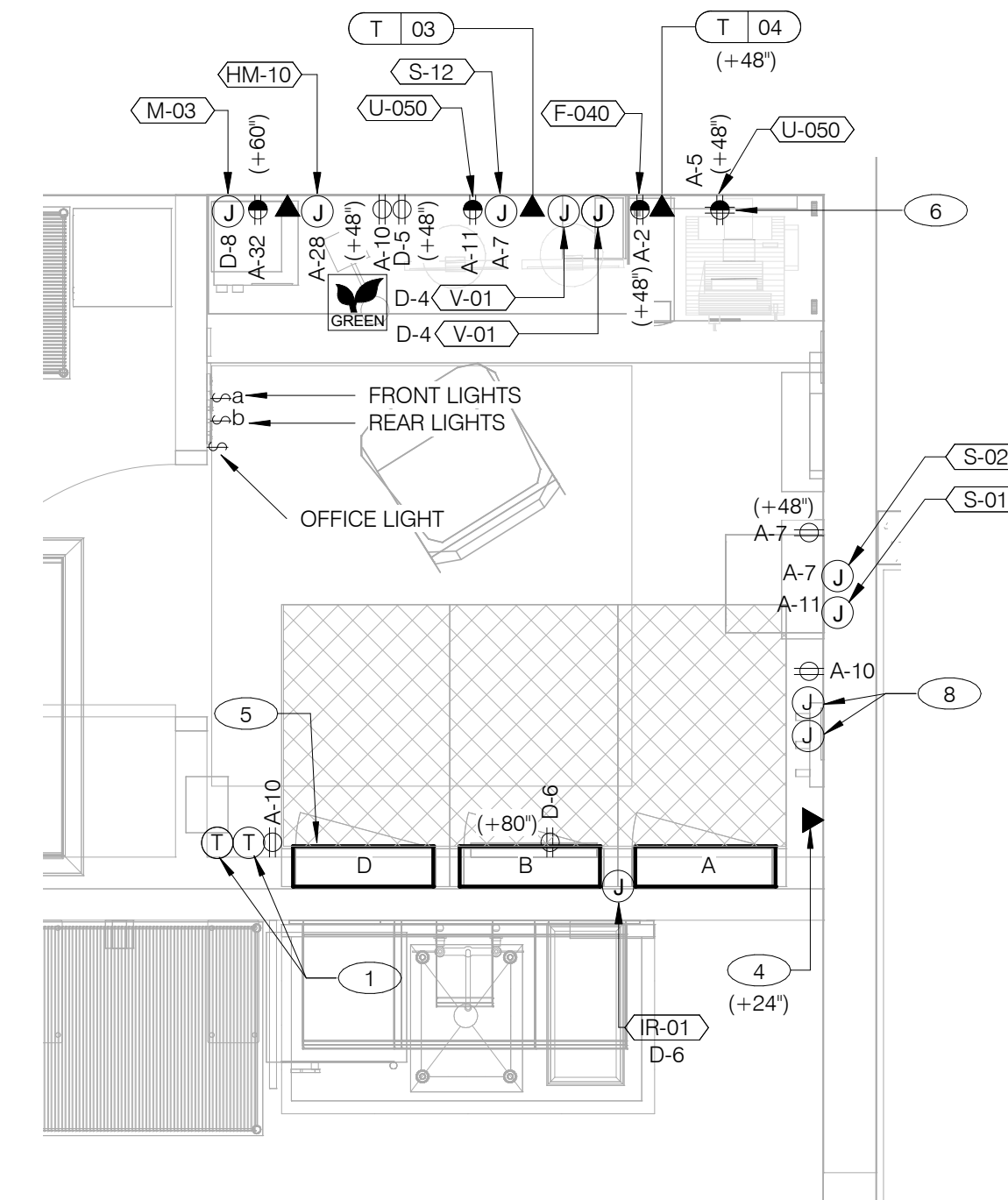
**P.O.S. ISOLATED GROUND SYSTEM** NTS **6**



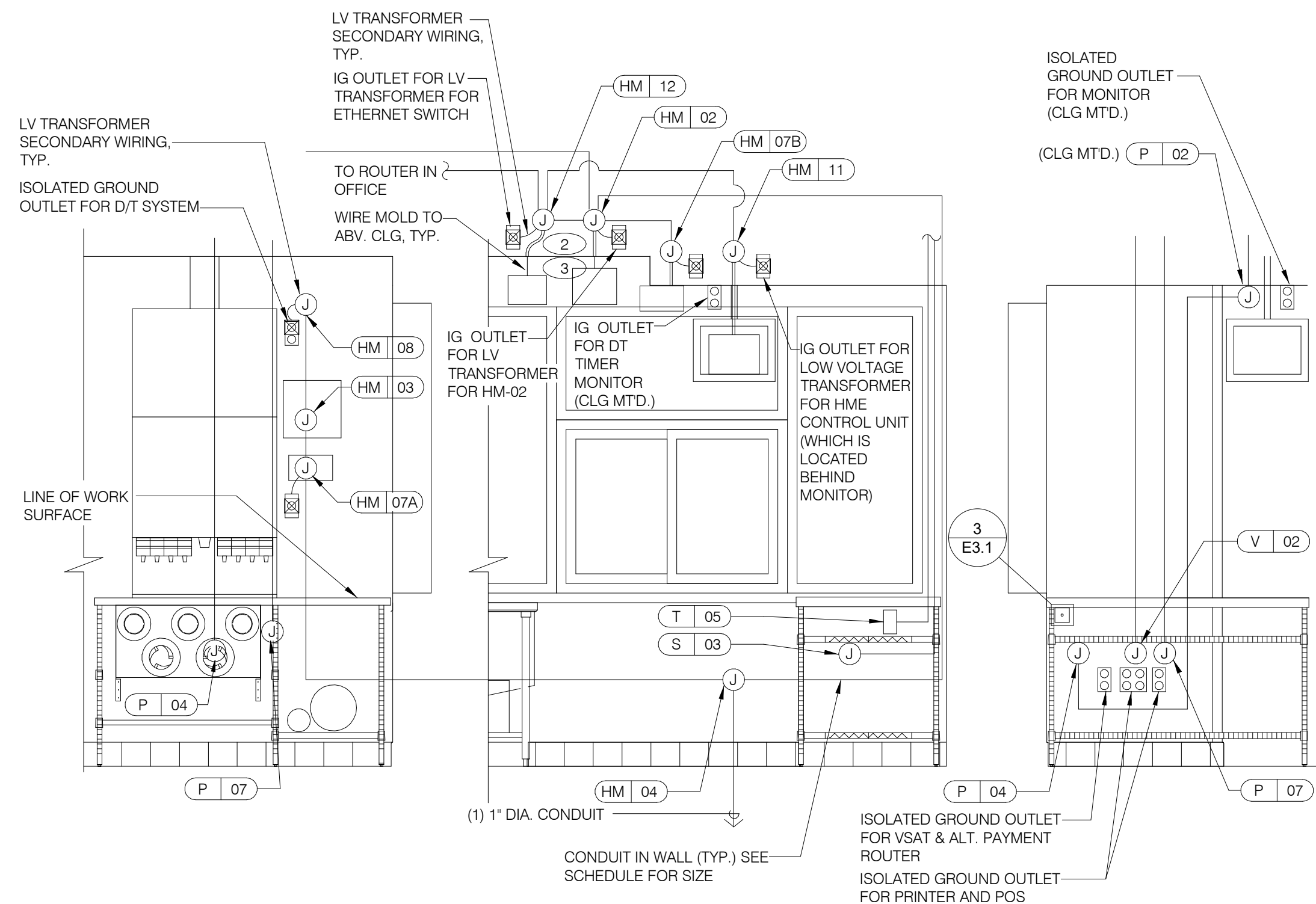
**SECURITY BUTTON ON WALL** NTS **3**



**SECURITY BUTTON UNDER COUNTER** NTS **4**



**ENLARGED POWER AND COMMUNICATIONS PLAN (OFFICE)** 1/2" = 1'-0" **1**



REFER TO COMMUNICATIONS SCHEDULE ON SHEET E5.0 FOR EQUIPMENT DESCRIPTIONS/MOUNTING HTS.

**ENLARGED INTERIOR ELEVATION (D/T WINDOW)** NTS **7**

**NOTE**  
 TBCCB AND TBANS REQUIRE VISUAL INSTALLATION VERIFICATION CERTIFICATE. CONTACT CERTIFY@ACE-BCX.COM OR CALL 949 770 2222 FOR CERTIFICATE. SEE SHEET SW2.0

- 1 THERMOSTATS CONTROLS.
- 2 DISPLAY UNIT FOR HM-02.
- 3 DUAL-OUTPUT DETECTOR FOR HM-02.
- 4 PHONE JACK FOR MODEM.
- 5 LOCATION OF TBCCB COMBINED CONTROL BOX. COORDINATE EXACT LOCATION IN THE FIELD. CONSIDER OPERATOR NEED TO ACCESS SWITCHES ON THE FRONT OF THE CONTROL BOX AND BUILT IN OCCUPANCY SENSOR FOR MANAGERS OFFICE.
- 6 DATA JACK FOR TECH-IN-A-BOX WITH 2 PORTS.
- 7 NOT USED
- 8 PROVIDE BACK-BOX AND CONDUIT WITH PULLSTRING FOR REMOTE TEST STATIONS PROVIDED BY MECHANICAL. COORDINATE REQUIREMENTS WITH MECHANICAL.

**KEY NOTES - ELECTRICAL ENLARGED DETAILS** NTS **2**



18048.20003

1		

CONTRACT DATE:  
 BUILDING TYPE: END. MED40  
 PLAN VERSION: MARCH 2020  
 SITE NUMBER:  
 STORE NUMBER:

**TACO BELL**  
 615 METROPOLITAN AVE  
 LEAVENWORTH, KS 66048



**ENDEAVOR 1.0  
 ENLARGED  
 POWER PLAN  
 AND DETAILS**

**E3.1**

PLOT DATE: 9/30/2020 2:33:34 PM

BC PROJECT #: 20684  
 KANSAS PE COA #E-359

This drawing has been prepared by the Engineer, or under his supervision. This drawing is provided as an instrument of service by the Designer/Engineer and is intended for use on this project only. Pursuant to the Architectural Works Copyright/Protection Act of 1990, all drawings, specifications, ideas and designs, including the overall form, arrangement and composition of spaces and elements appearing herein, constitute the original, copyrighted work of the Designer/Engineer. Any reproduction, use, or disclosure of information contained herein without prior written consent of the Engineer is strictly prohibited. © 2020 BC Engineers, Inc.

**BC ENGINEERS INCORPORATED**  
 5720 Reeder Shawnee, Ks. 66203 (913)262-1772