

1 TBANS PANEL DIMENSIONS NTS

SEQUENCE OF OPERATION:
ACTIVATION OF HOOD FIRE SUPPRESSION SYSTEM RELAY SHALL CAUSE TBANS TO DE-ENERGIZE LOAD, THUS REMOVING POWER FROM ALL DEVICES CONNECTED TO EQUIPMENT LOCATED UNDER THE GREASE HOOD.

CONTROL BOX

TACO BELL'S SUPPLIER OF THE CONTROL BOX IS AIR CARE EXPERTS. UNLESS NOTED OTHERWISE, TBANS CONTROL BOX TO BE PURCHASED AND INSTALLED BY THE ELECTRICAL CONTRACTOR.

NOTE: TBANS MAY BE INCLUDED IN THE LIGHTING PACKAGE. ELECTRICAL CONTRACTOR IS RESPONSIBLE TO VERIFY.

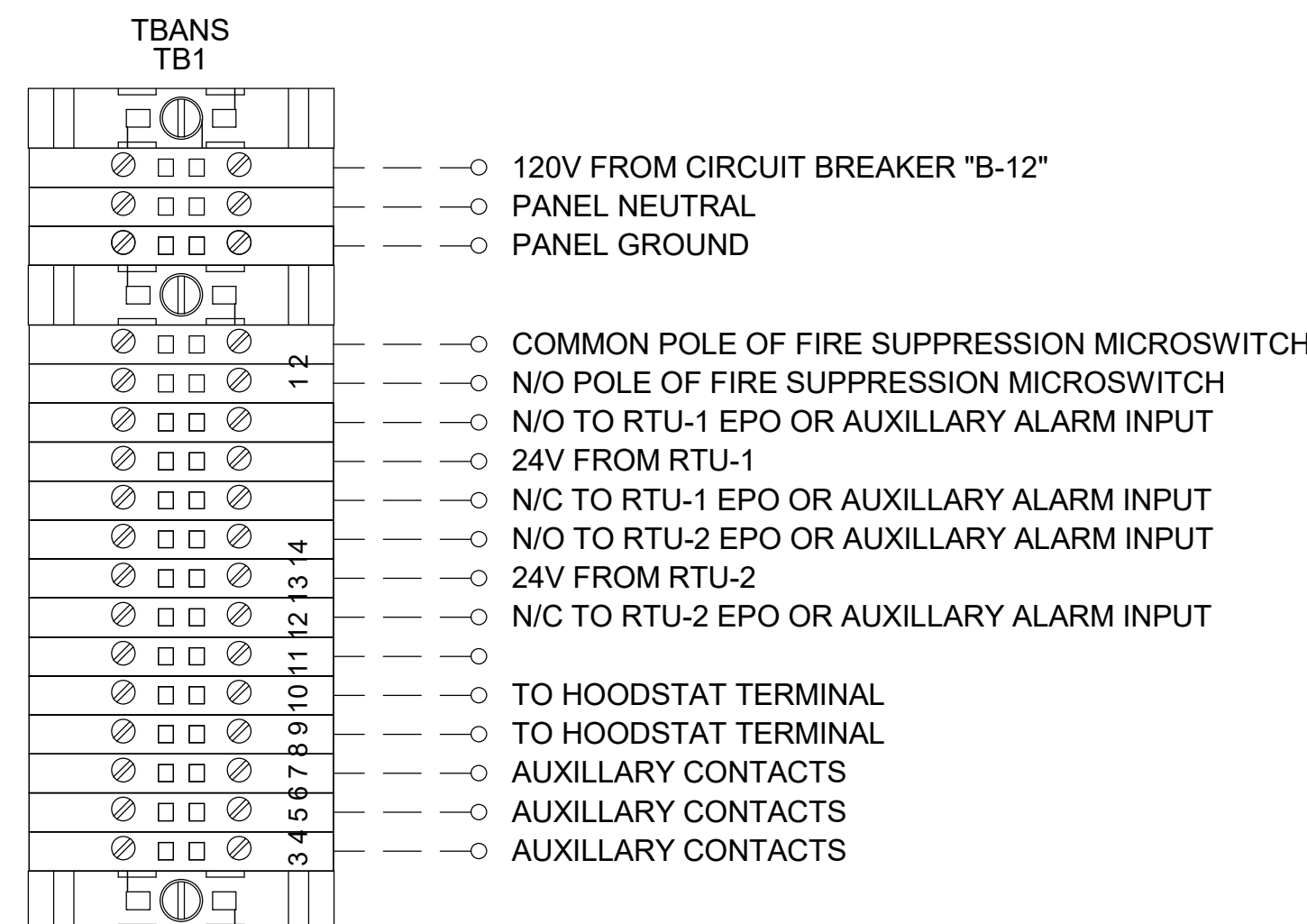
TBANS INCLUDES ALL WIRING AND COMPONENTS SHOWN FACTORY INSTALLED WITHIN THE BOX.

PRIMARY CONTACT: CHUCK MCCABE

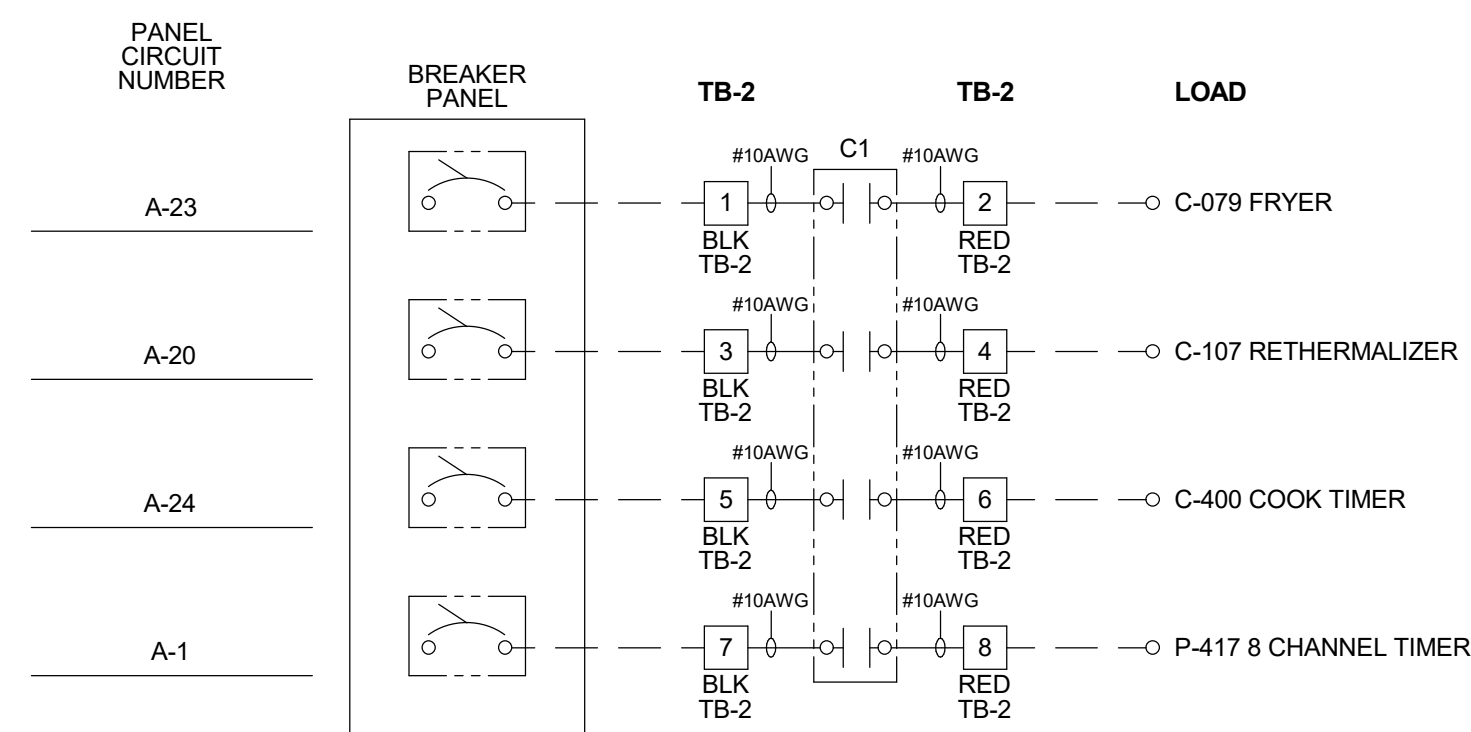
PHONE: 949 770 2222

EMAIL: INFO@ACE-EMS.COM

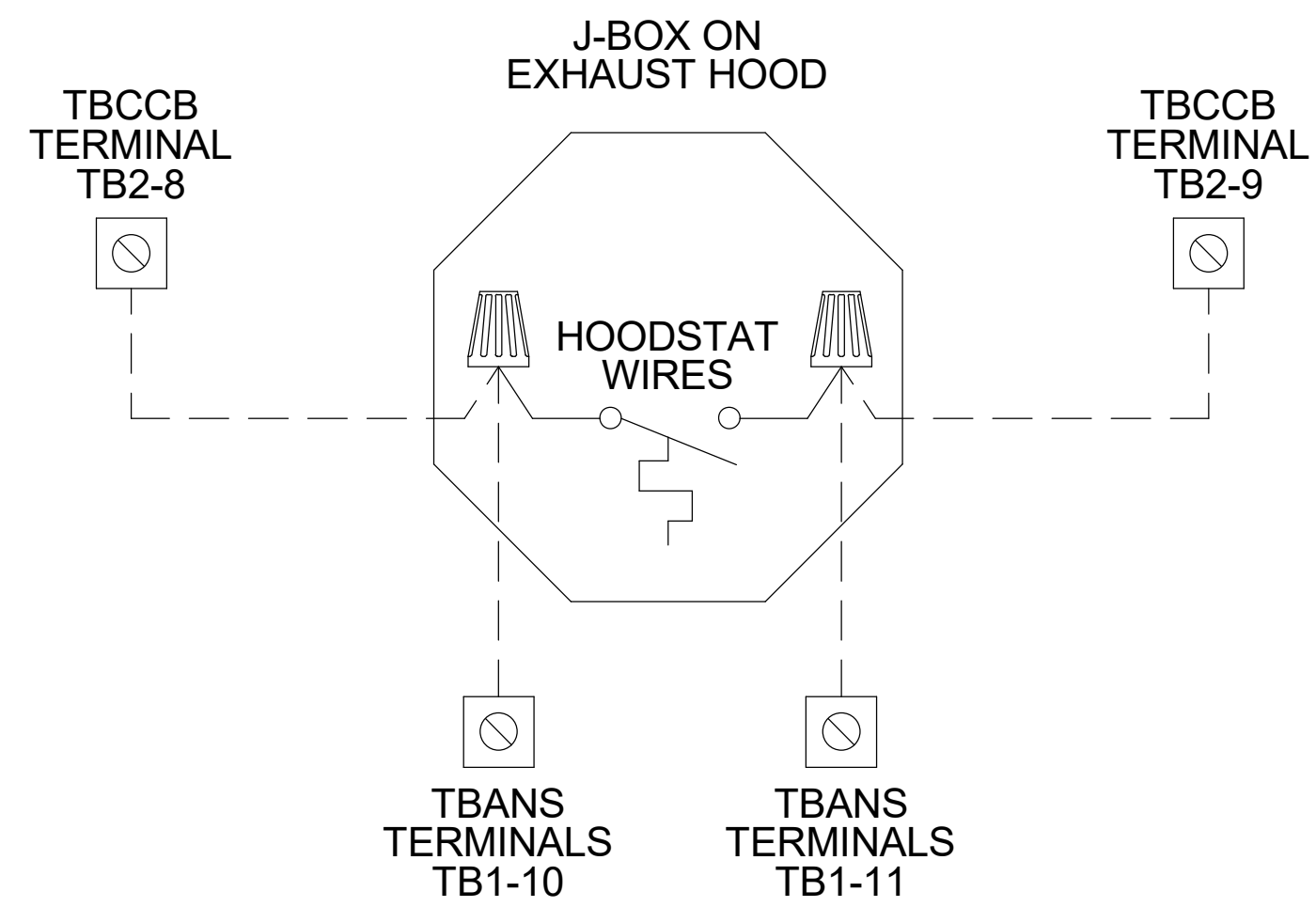
TACO BELL REQUIRES VISUAL CERTIFICATION OF THIS INSTALLATION SEE SHEET SW2.0 CONTACT CERTIFY@ACE-BCX.COM OR (949) 770-2222



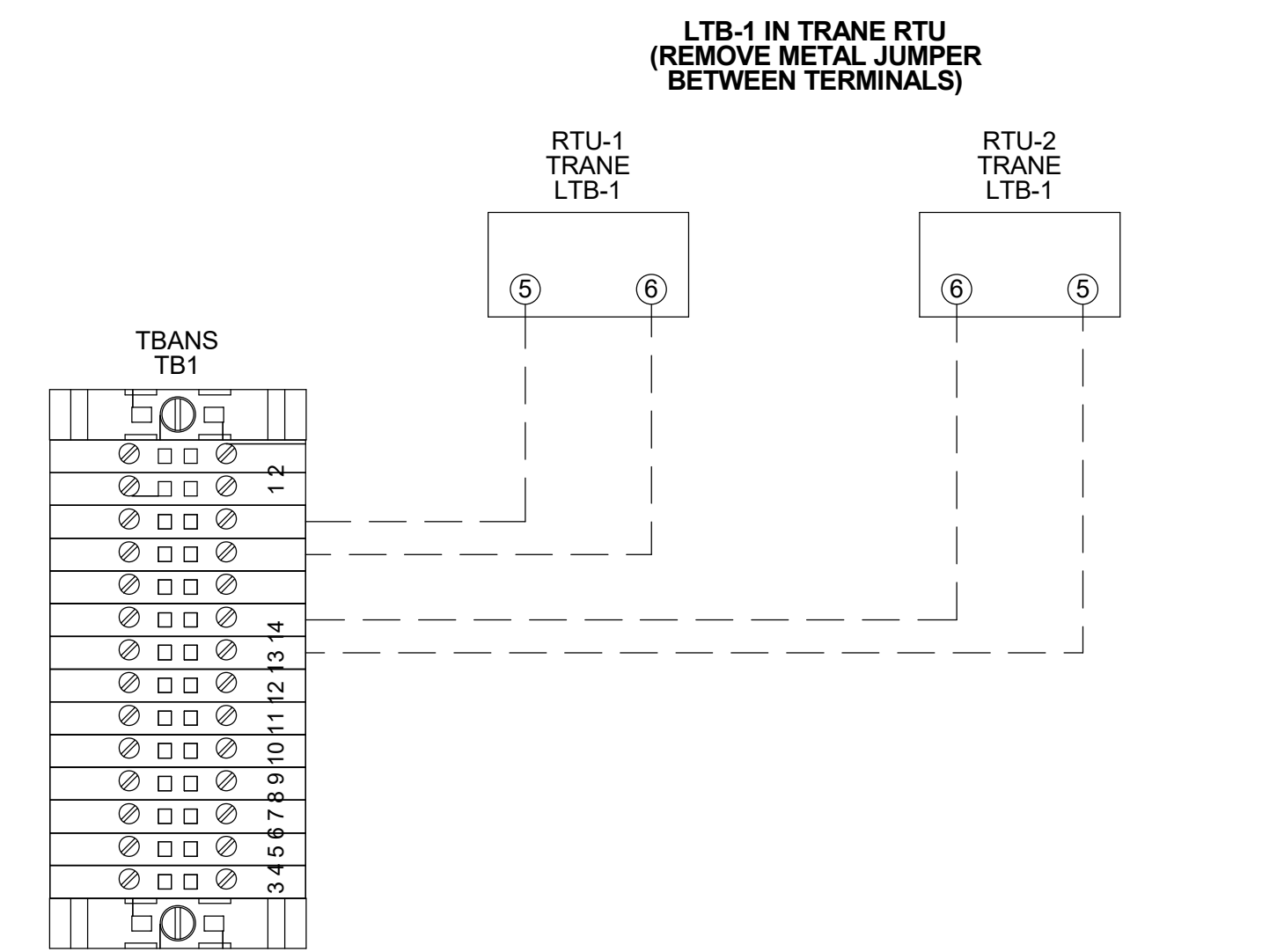
2 TBANS FIELD CONNECTIONS - VARIOUS NTS



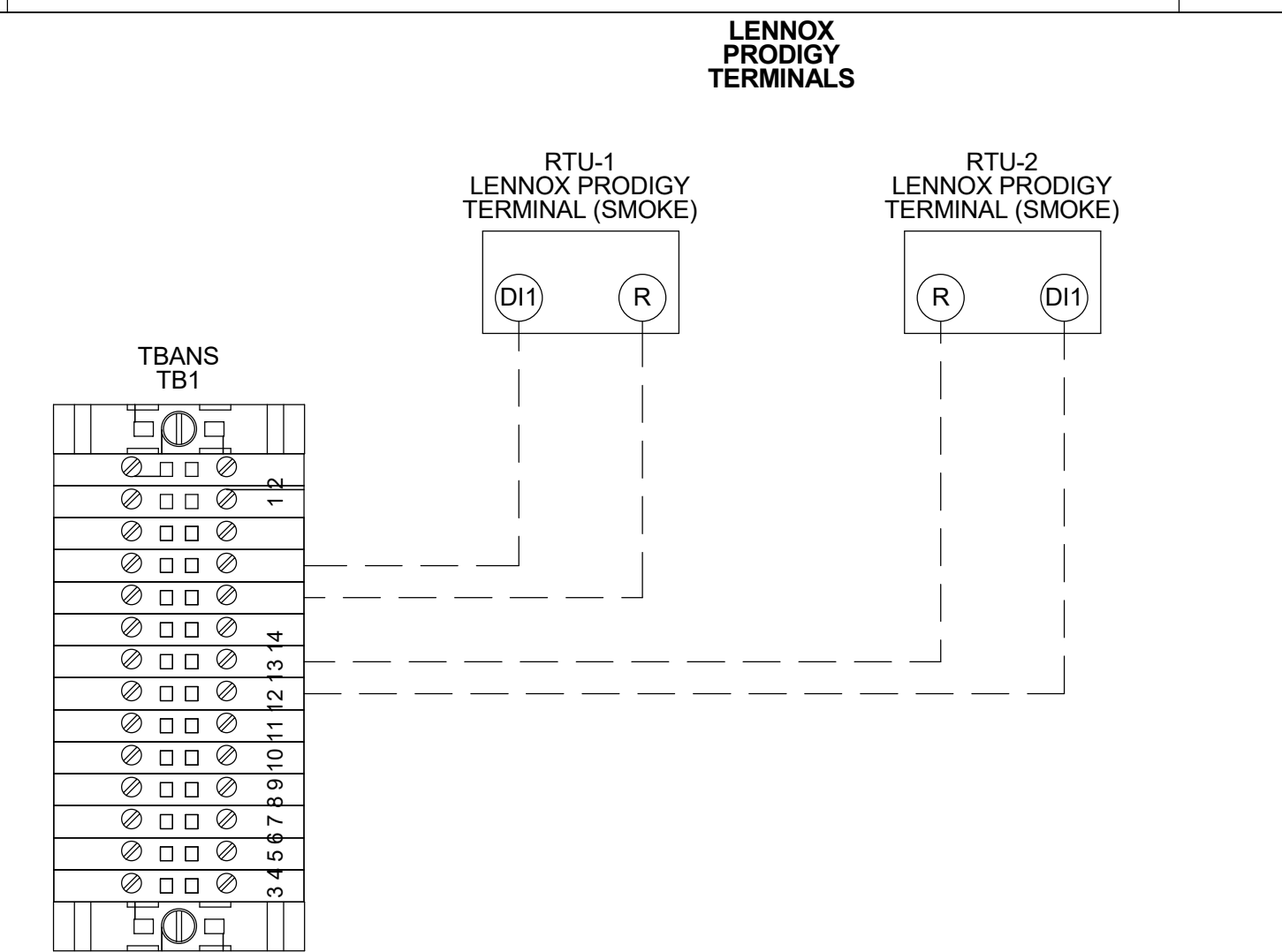
3 TBANS FIELD CONNECTIONS - APPLIANCES NTS



4 TBANS TO HOODSTAT TO TBCCB NTS



6 TBANS TO TRANE RTU SHUTDOWN NTS



5 TBANS TO LENNOX PRODIGY SHUTDOWN NTS

BC PROJECT #: 20684
KANSAS PE COA #E-359
This drawing has been prepared by the Engineer, or under his supervision. This drawing is provided as an instrument of service by the Designer/Engineer and is intended for use on this project only. Pursuant to the Architectural Works Copyright/Protection Act of 1990, all drawings, specifications, ideas and designs, including the overall form, arrangement and composition of spaces and elements appearing herein, constitute the original, copyrighted work of the Designer/Engineer. Any reproduction, use, or disclosure of information contained herein without prior written consent of the Engineer is strictly prohibited. © 2020 BC Engineers, Inc.

BC ENGINEERS INCORPORATED

5720 Reeder Shawnee, Ks. 66203 (913)262-1772

GLMV ARCHITECTURE
1525 E. Douglas, Wichita, KS 67211
Tel: (316) 265-9367
www.glmv.com



18048.20003

CONTRACT DATE:
BUILDING TYPE: END. MED40
PLAN VERSION: MARCH 2020
SITE NUMBER:
STORE NUMBER:

TACO BELL

615 METROPOLITAN AVE
LEAVENWORTH, KS 66048



ENDEAVOR 1.0
**ELECTRICAL
DETAILS**

E7.1

PLOT DATE: 9/30/2020 2:29:34 PM