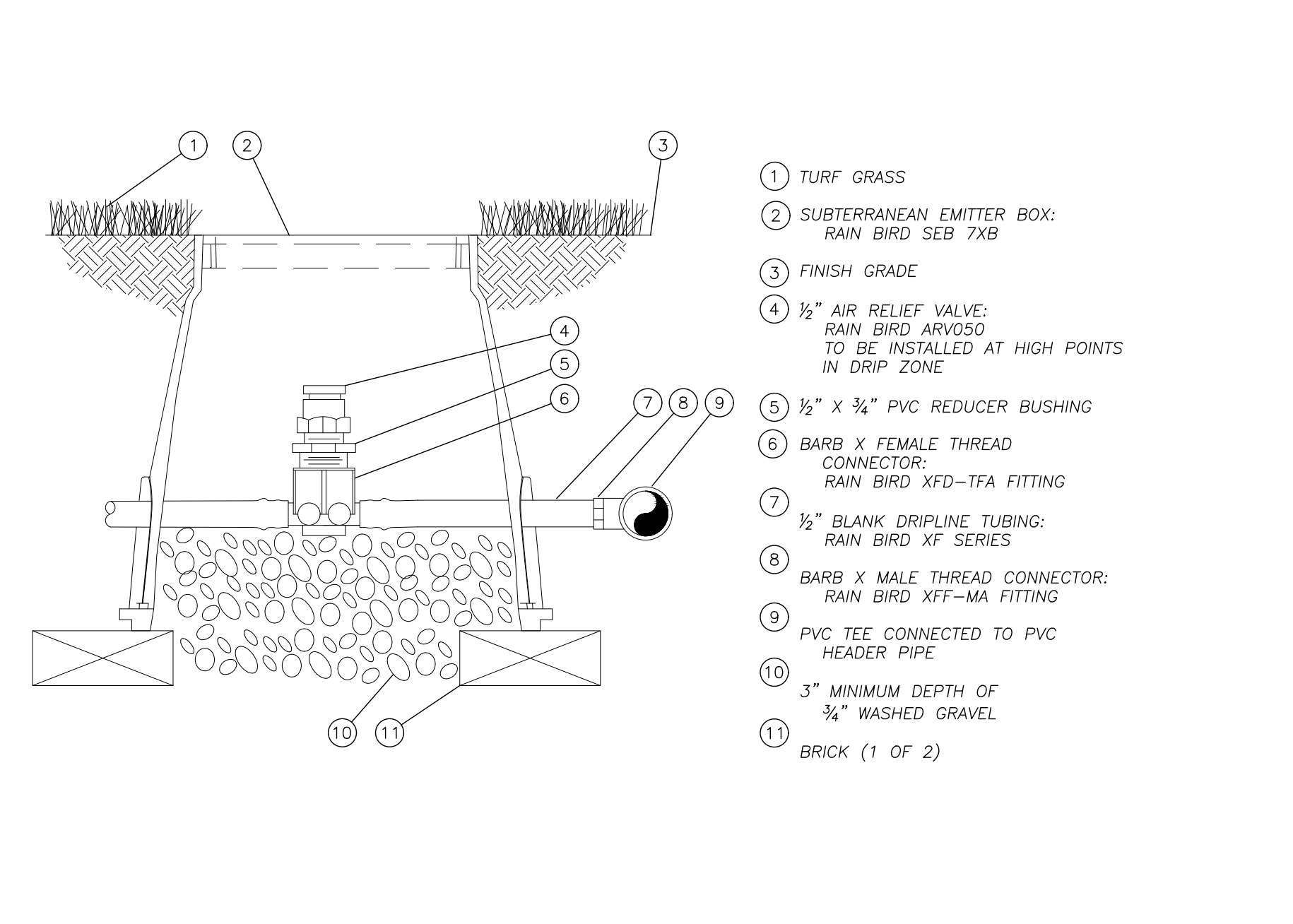


907
Not to Scale

TRYPTICAL ISLAND DRIPLINE LAYOUT

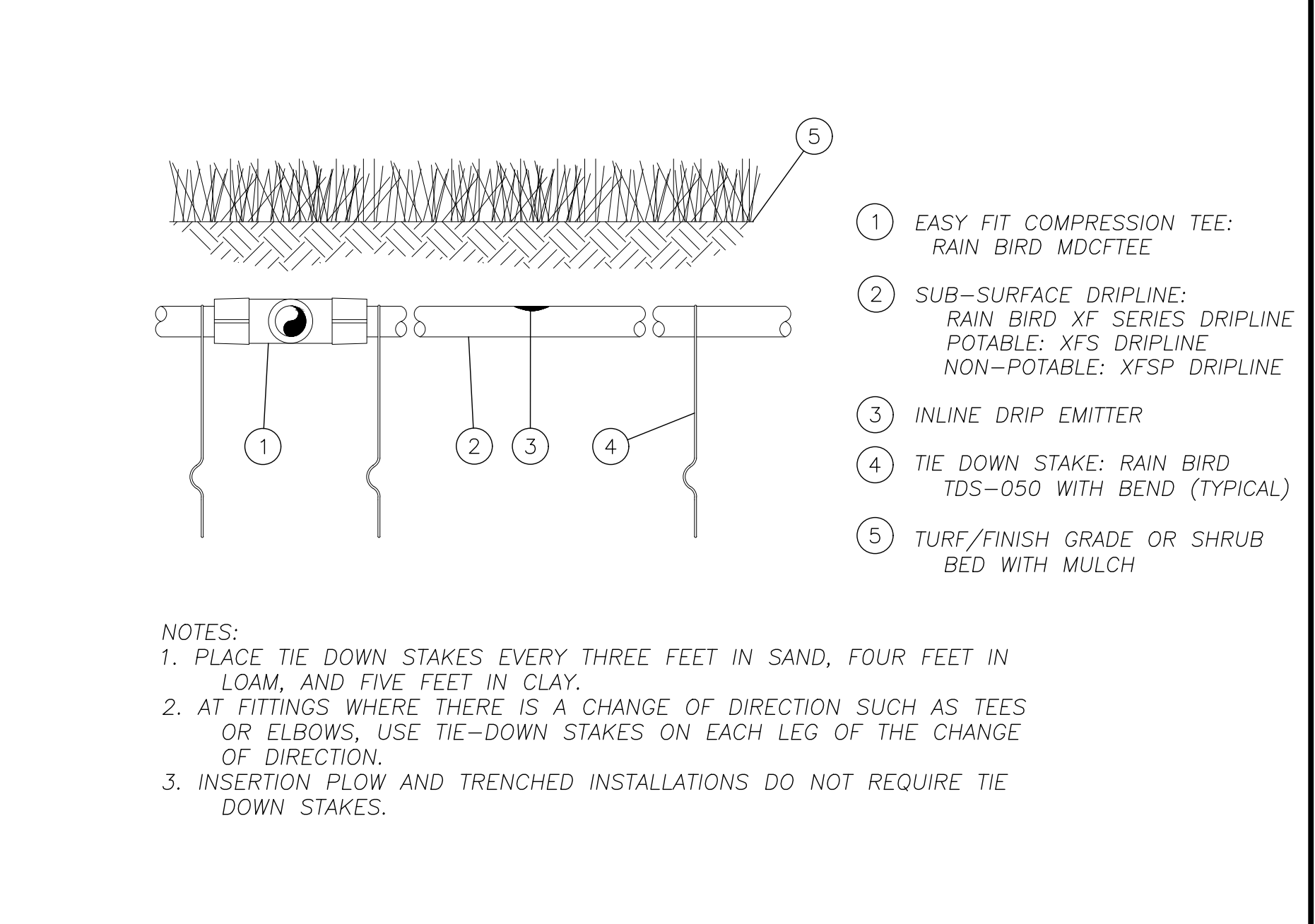
908
Not to Scale

XFS DRIPLINE FLUSH POINT W/BALL VALVE



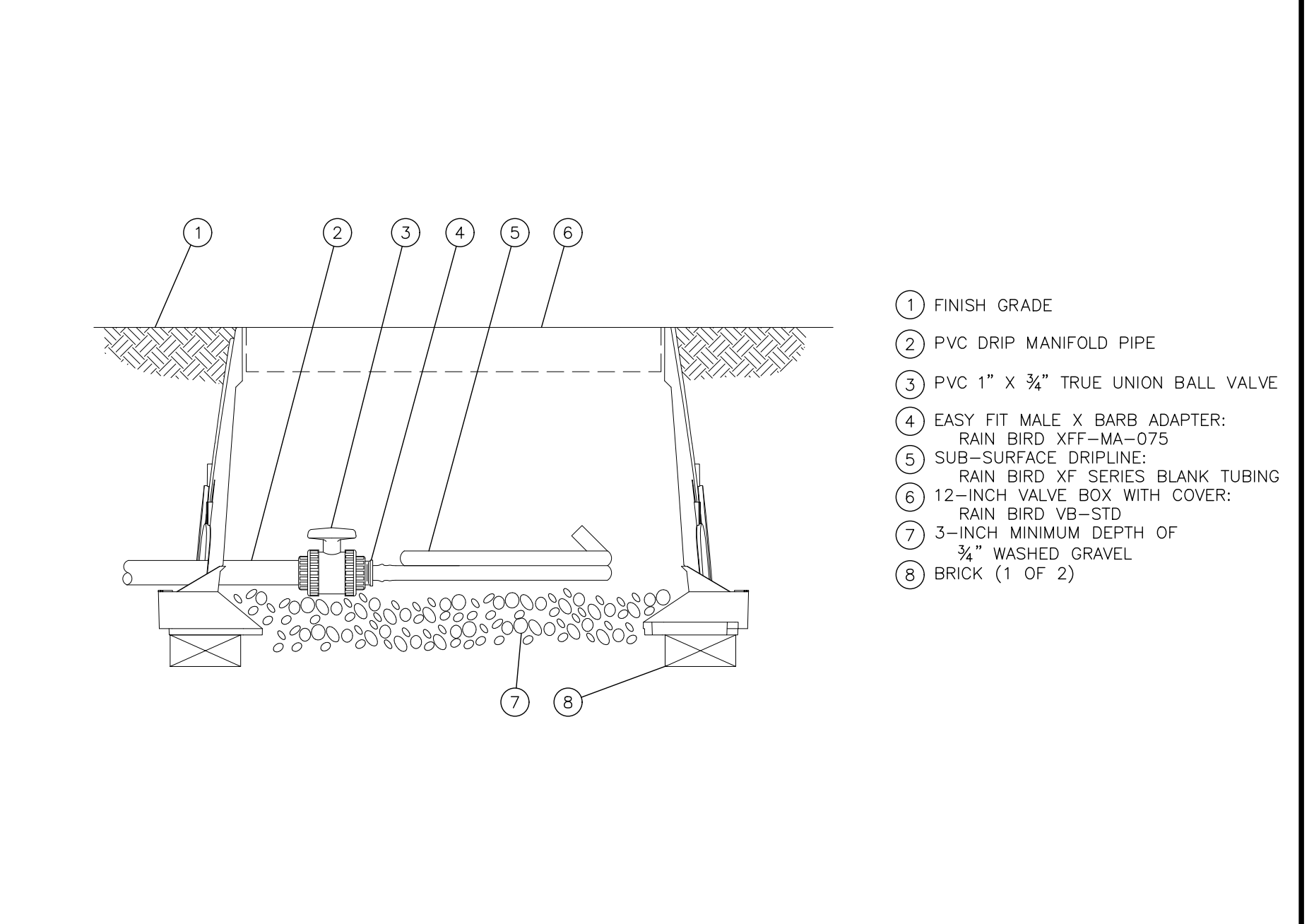
909
Not to Scale

XFS DRIPLINE AIR RELIEF VALVE



910
Not to Scale

XFS SUB-SURFACE DRIPLINE BURIAL

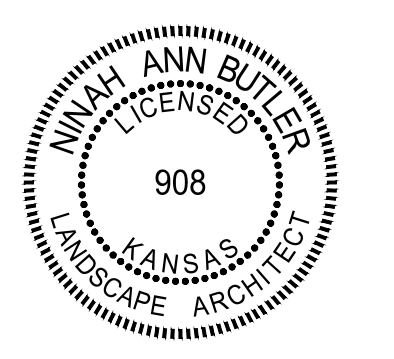


911
Not to Scale

RAINBIRD REMOTE CONTROL VALVE

SOD NOTES

- ALL DISTURBED AREAS SHALL BE SODDED OR SEEDDED WITH TURF-TYPE TALL FESCUE SOD WITH A MINIMUM OF THREE CULTIVARS.
- ALL LANDSCAPED AREAS SHALL RECEIVE A MINIMUM 6-INCH DEPTH OF TOPSOIL COMPACTED TO 85% DENSITY AT OPTIMUM MOISTURE CONTENT.
- THE ENTIRE SURFACE TO BE LANDSCAPED SHOULD BE REASONABLE SMOOTH AND FREE FROM STONES, ROOTS OR OTHER DEBRIS.
- SOD SHALL BE MACHINE STRIPPED AT A UNIFORM SOIL THICKNESS OF APPROXIMATELY ONE INCH (PLUS OR MINUS 1/4-INCH). THE MEASUREMENT FOR THICKNESS SHALL EXCLUDE TOP GROWTH AND THATCH, AND SHALL BE DETERMINED AT THE TIME OF CUTTING IN THE FIELD. PRECAUTIONS SHALL BE TAKEN TO PREVENT DRYING AND HEATING. SOD DAMAGED BY HEAT AND DRY CONDITIONS, AND SOD CUT MORE THAN 18 HOURS BEFORE BEING INCORPORATED INTO THE WORK SHALL NOT BE USED.
- HANDLING OF SOD SHALL BE DONE IN A MANNER THAT WILL PREVENT TEARING, BREAKING, DRYING AND OTHER DAMAGE. PROTECT EXPOSED ROOTS FROM DEHYDRATION. DO NOT DELIVER MORE SOD THAN CAN BE LAID WITHIN 24 HOURS.
- MOISTEN PREPARED SURFACE IMMEDIATELY PRIOR TO LAYING SOD. WATER THOROUGHLY AND ALLOW SURFACE TO DRY BEFORE INSTALLING SOD, FERTILIZE, HARROW OR RAKE FERTILIZER IN THE TOP 1-1/2-INCHES OF TOPSOIL, AT A UNIFORM RATE.
- FERTILIZER SHALL BE 20-10-5 COMMERCIAL FERTILIZER OF THE GRADE, TYPE, AND FORM SPECIFIED AND SHALL COMPLY WITH THE RULES OF THE STATE DEPT. OF AGRICULTURE. FERTILIZER SHALL BE IDENTIFIED ACCORDING TO THE PERCENT N,P,K IN THAT ORDER.
- SATURATE SOD WITH FINE WATER SPRAY WITHIN TWO HOURS OF PLANTING. DURING THE FIRST WEEK AFTER PLANTING, WATER DAILY OR MORE FREQUENTLY AS NECESSARY TO MAINTAIN MOIST SOIL TO A MINIMUM DEPTH OF FOUR INCHES.



NINAH A. BUTLER
KSF-PLA-908

18048.20003

CONTRACT DATE: XX.XX.XX
BUILDING TYPE: END, MED40
PLAN VERSION: MARCH 2020
BRAND DESIGNER: X.XXXXX
SITE NUMBER: 314443
STORE NUMBER: XXXXX

TACO BELL
615 METROPOLITAN AVE
LEAVENWORTH, KS



ENDEAVOR 1.0
MED 40

IRRIGATION SPEC 2

BHC RHODES
Civil Engineering • Surveying • Utilities
7101 College Blvd., Suite 400
Overland Park, Kansas 66210
p. (913) 663-1900 f. (913) 663-1633
BHC RHODES is a trademark of Brungardt Honnrich & Company, P.A.

L2.2