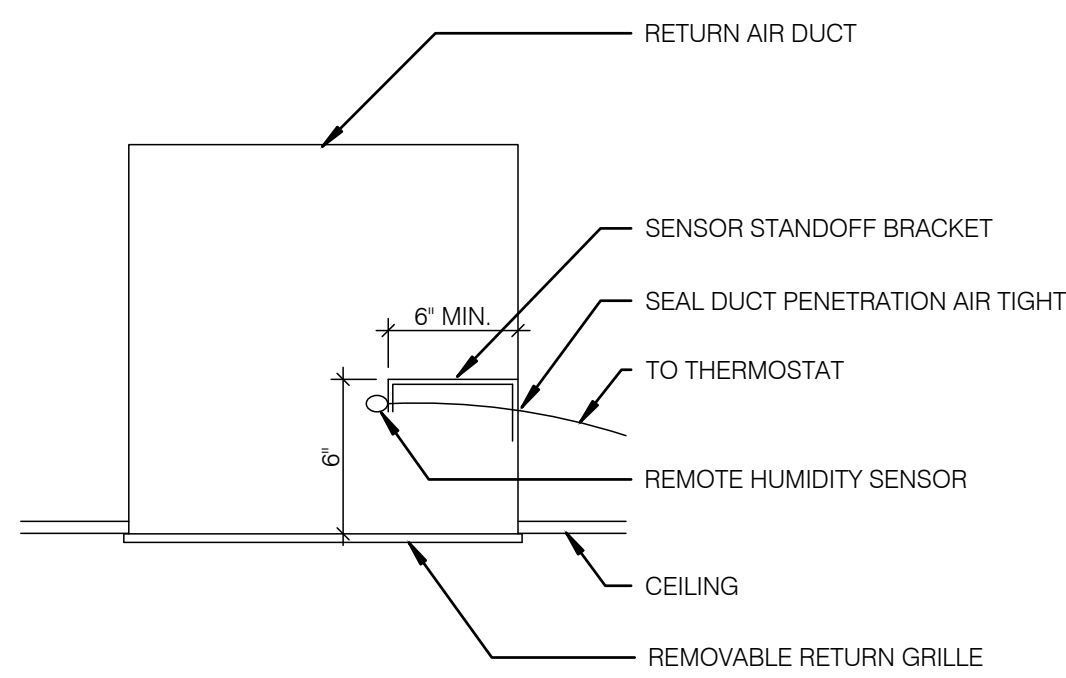
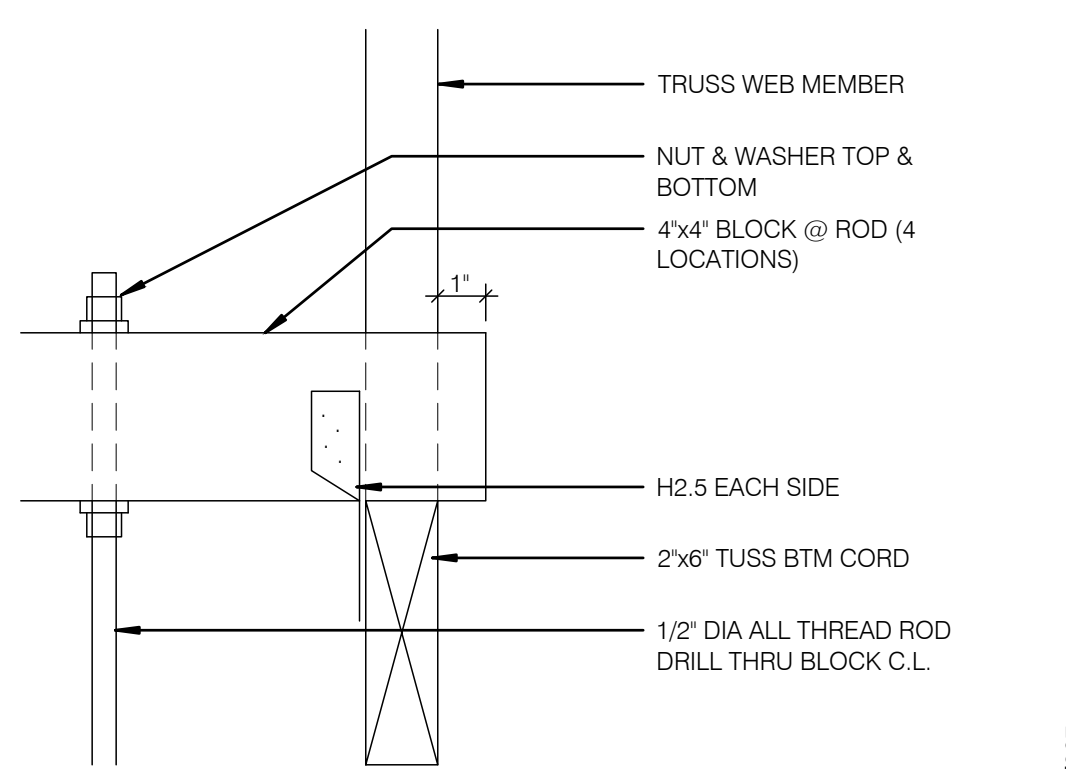


TB HOOD DUCT TRANSITION NTS **11**

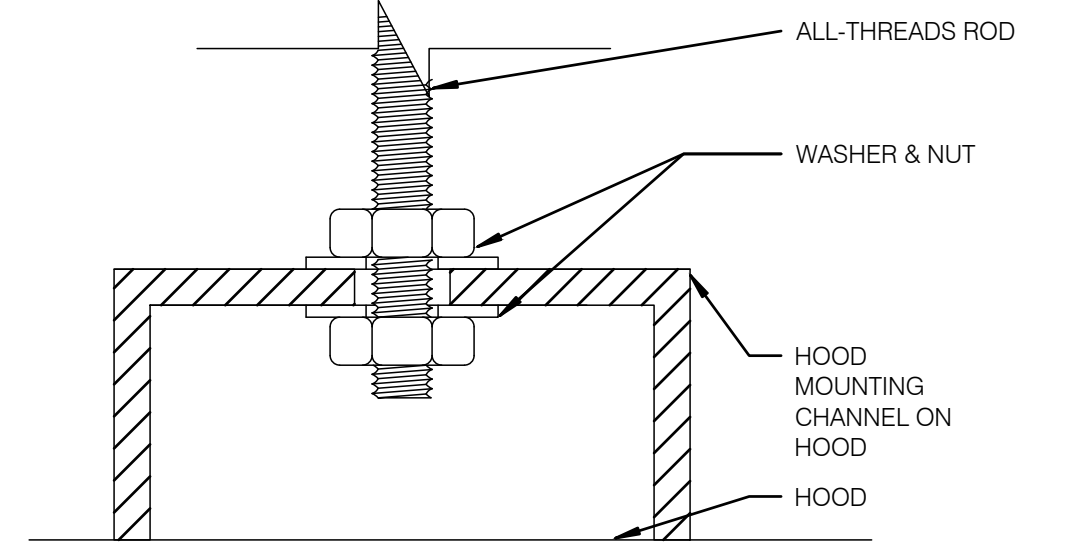


REMOTE HUMIDITY SENSOR NTS **8**

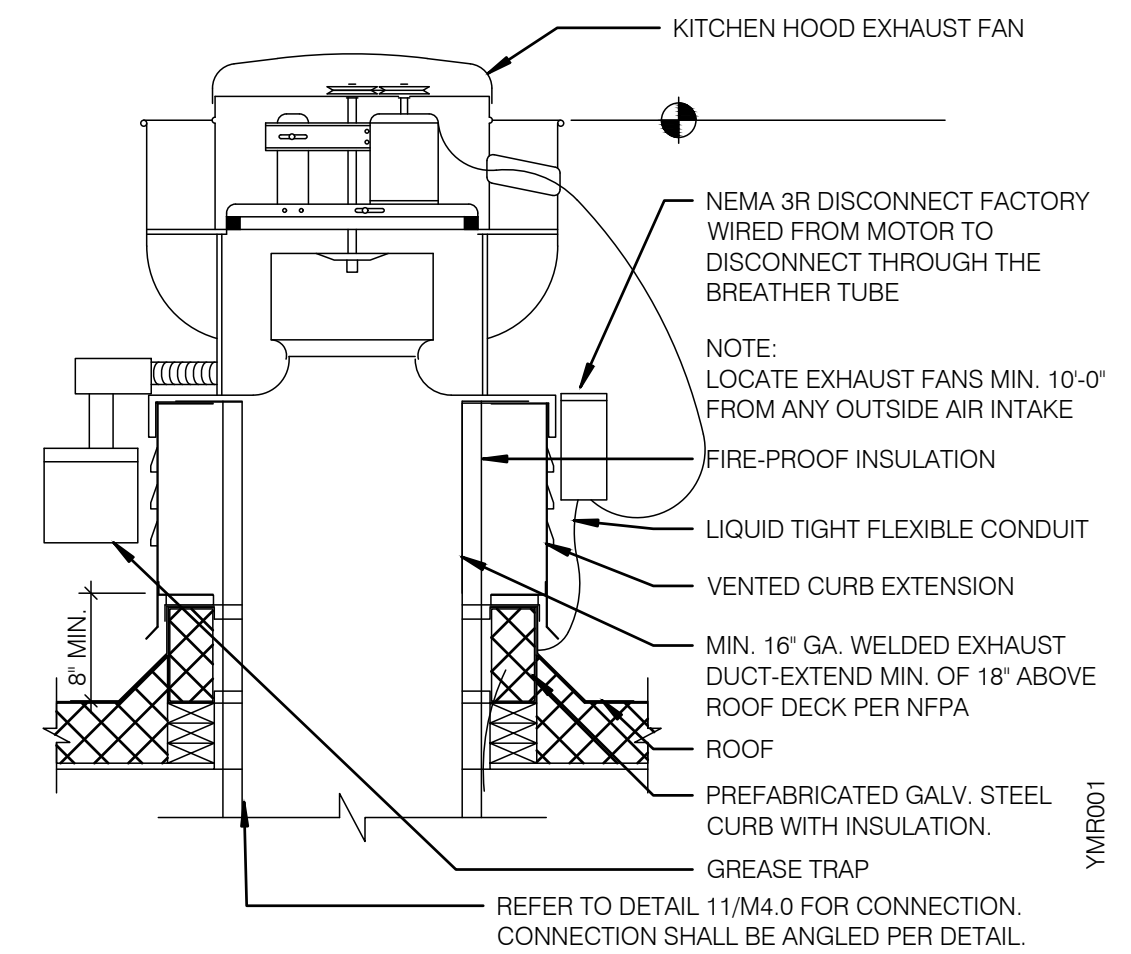


ROD ATTACHMENT NTS **7**

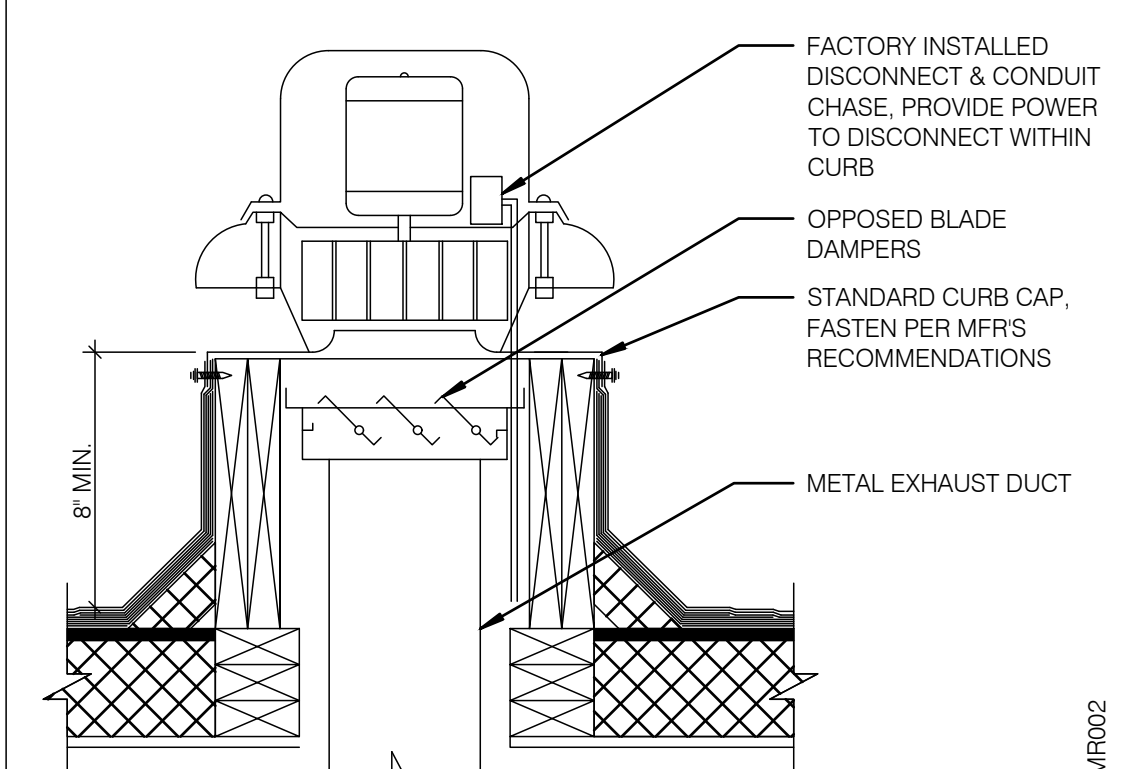
NOT_USED NTS **6**



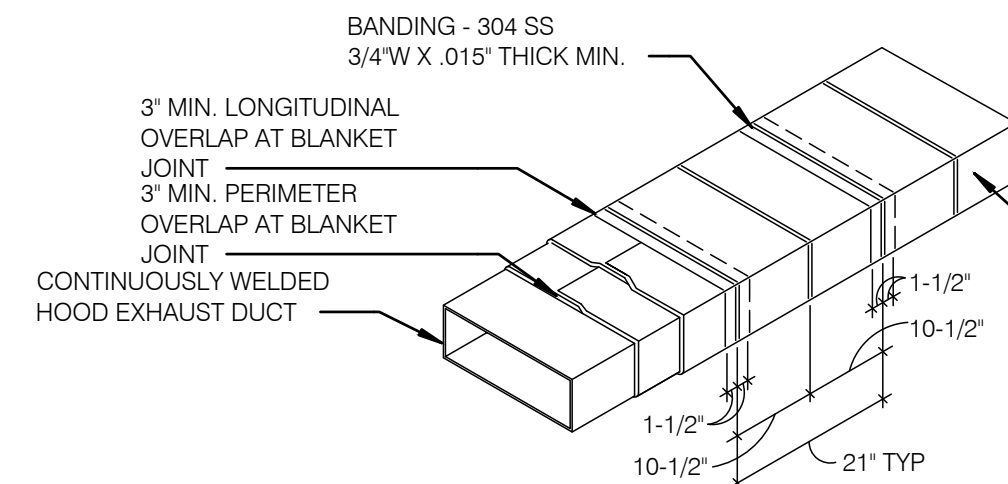
BOLT CONNECTION TO HOOD NTS **5**



EXHAUST FAN (EF-1) NTS **3**

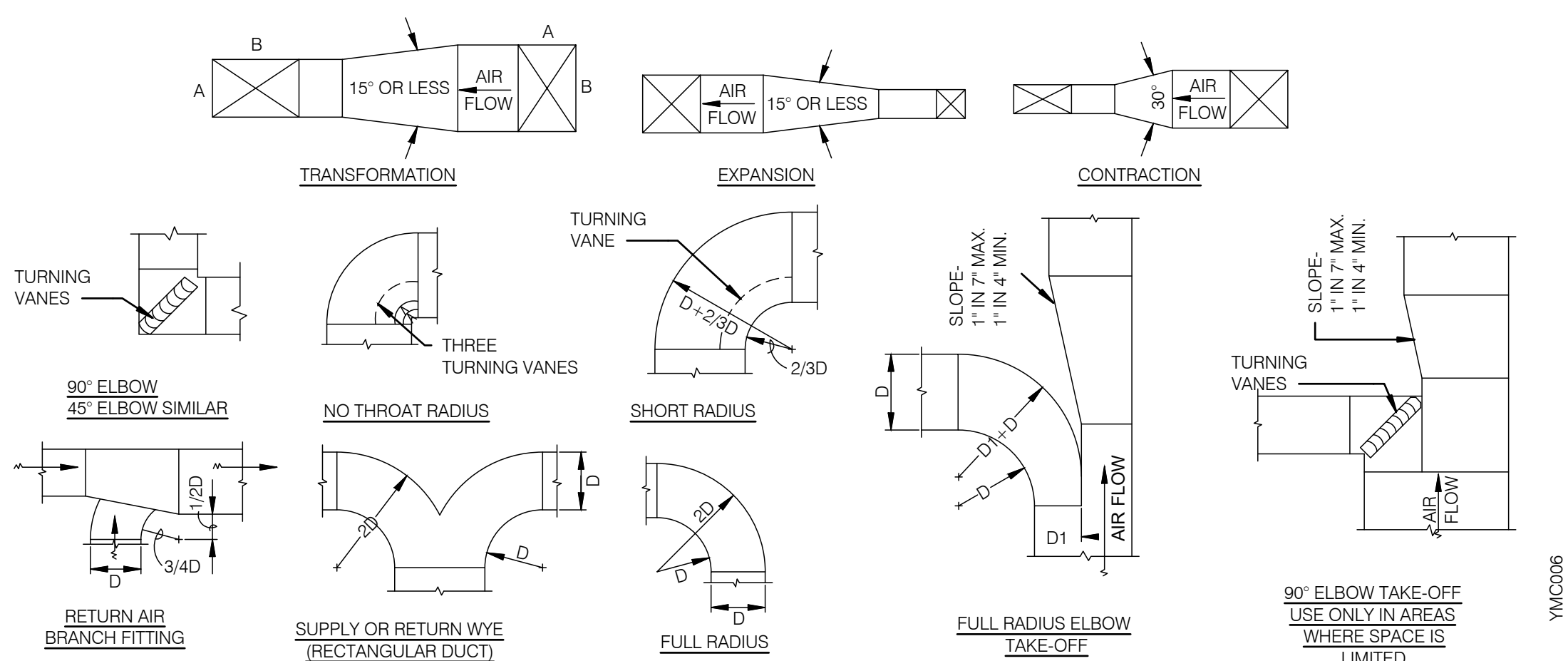


RESTROOM FAN (EF-2) NTS **2**

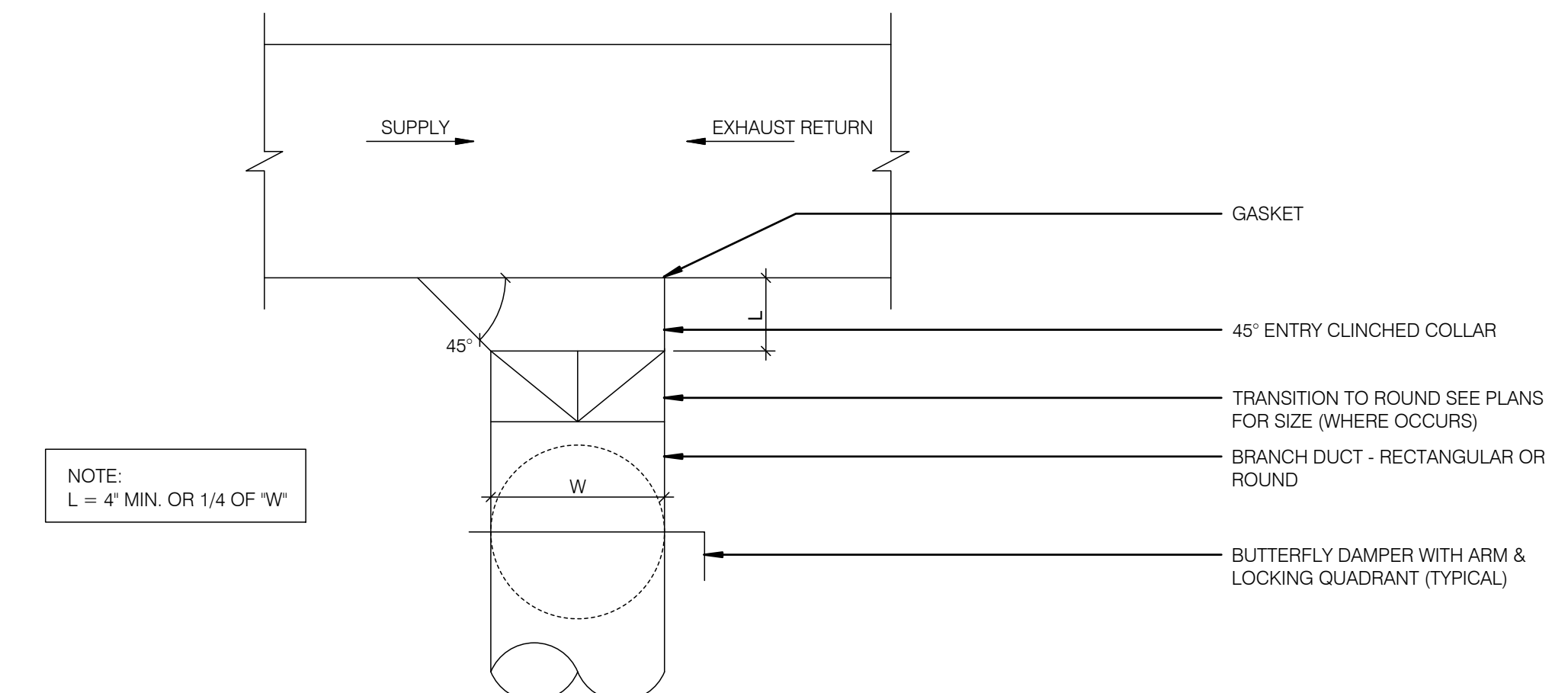


- NOTES:**
1. WRAP GREASE DUCT CONTINUOUS AS SHOWN FROM CONNECTION AT FAN THROUGH CURB AND EXTEND 18' MIN. BELOW ROOF DECK.
 2. FOR HORIZONTAL RUNS OF EXHAUST DUCTS PROVIDE TYPICAL TRAPEZE SUPPORT SYSTEM WITH 1/2" HANGER RODS A MAXIMUM OF 6' FROM INSULATION EDGE. TRAPEZE SUPPORTS SHALL BE SPACED A MAXIMUM OF 60" ON CENTER FROM CENTERLINE OF VERTICAL EXHAUST DUCT.
 3. SLOPE HORIZONTAL EXHAUST DUCT RUNS A MINIMUM OF 1/4" PER FOOT (2% SLOPE) TOWARDS EXHAUST HOOD.
 4. PROVIDE INSULATED ACCESS DOOR OR PANEL NEAR MID POINT OF EXHAUST DUCT RUN FOR CLEANING AND INSPECTION OF DUCT. PROVIDE AN APPROVED SIGN ON ACCESS DOOR OR PANEL WHICH READS "ACCESS PANEL DO NOT OBSTRUCT"

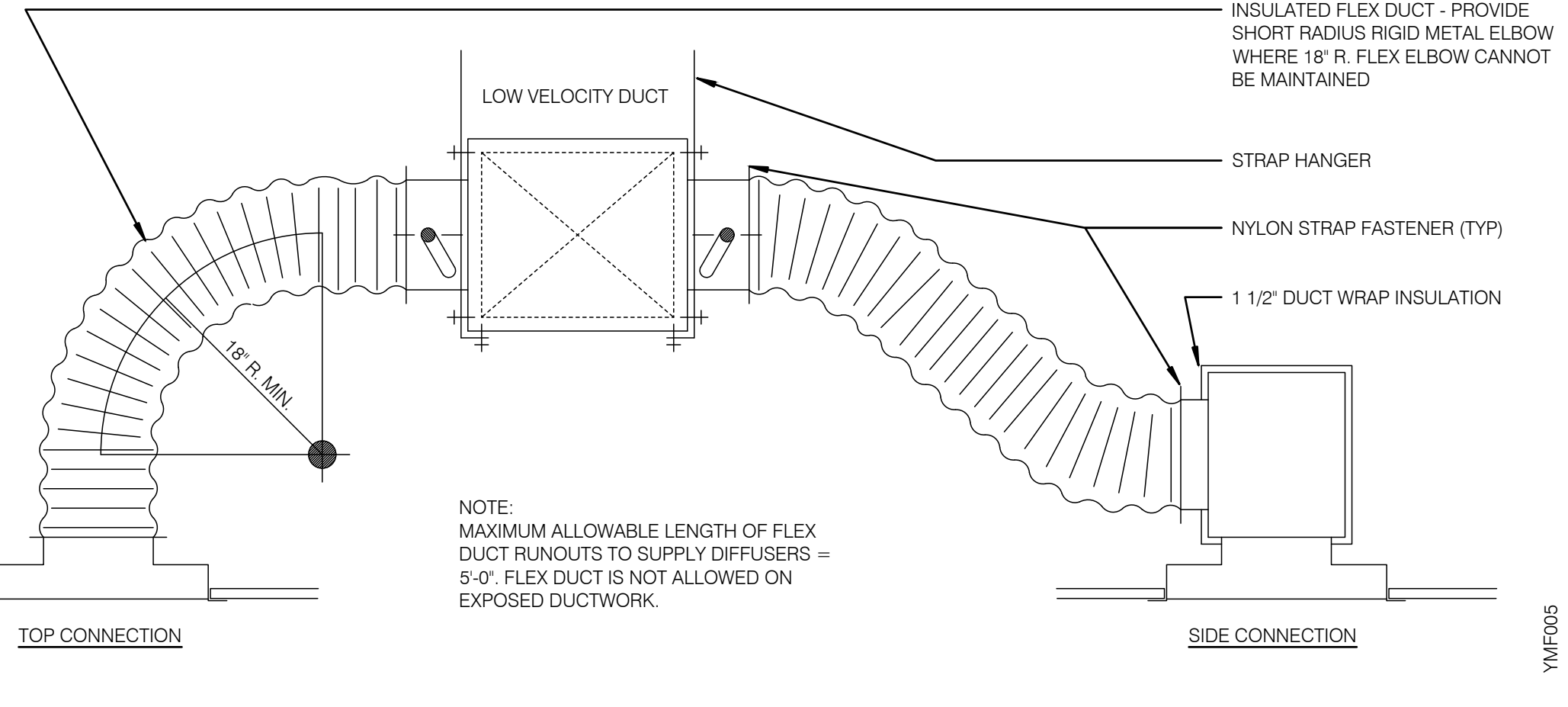
KITCHEN HOOD EXHAUST DUCT SYSTEM DETAIL NTS **10**



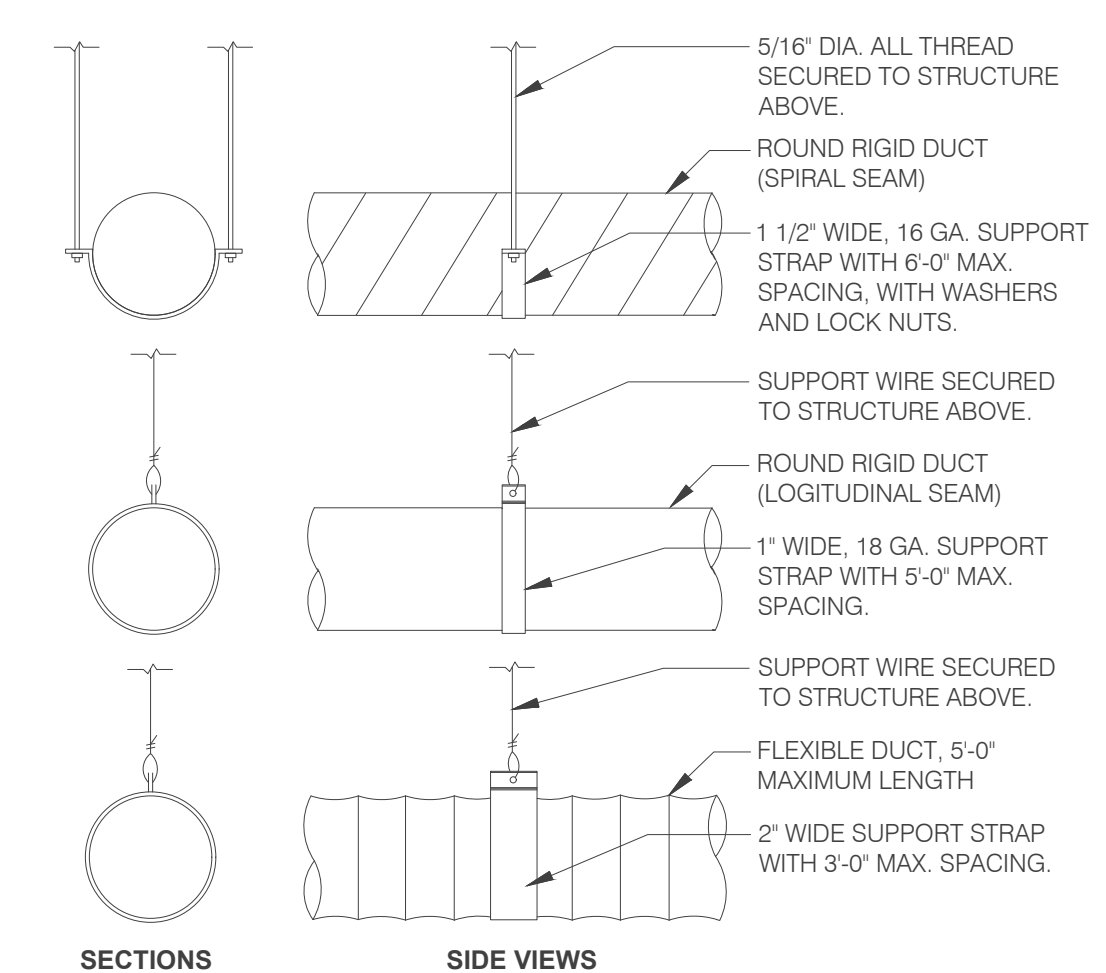
TYPICAL DUCTWORK DETAILS NTS **9**



CEILING DIFFUSER CONNECTIONS NTS **4**



DUCT SUPPORT DETAIL NTS **1**



KANSAS BC PROJECT #: 20684 **PE COA #E-359**

This drawing has been prepared by the Engineer, or under his supervision. This drawing is provided as an instrument of service by the Designer/Engineer and is intended for use on the project only. Pursuant to the Architecture/Engineering Copyright Protection Act of 1990, all drawings, specifications, notes and designs, including the overall form, arrangement and composition of spaces and elements appearing herein, constitute the original, copyrighted work of the Designer/Engineer. Any reproduction, use or disclosure of information contained herein without prior written consent of the Engineer is strictly prohibited. © 2019 BC Engineers, Inc.

BC ENGINEERS INCORPORATED

5720 Reeder Shawnee, Ks. 66203 (913)262-1772

GLMV ARCHITECTURE

1525 E. Douglas, Merit, KS 67211
 Phone: (913) 282-3987
 www.glmv.com

9/30/2020

SUNIL K. HADAPRA
 LICENSED
 25862
 KANSAS
 PROFESSIONAL ENGINEER

18048.20003

CONTRACT DATE: _____
 BUILDING TYPE: END. MED40
 PLAN VERSION: MARCH 2020
 SITE NUMBER: #000000
 STORE NUMBER: #000000

TACO BELL

615 METROPOLITAN AVE
 LEAVENWORTH, KS 66048

TACO BELL

ENDEAVOR 1.0
MECHANICAL AND HOOD DETAILS
M4.0

PLOT DATE: 9/30/2020 1:00 PM