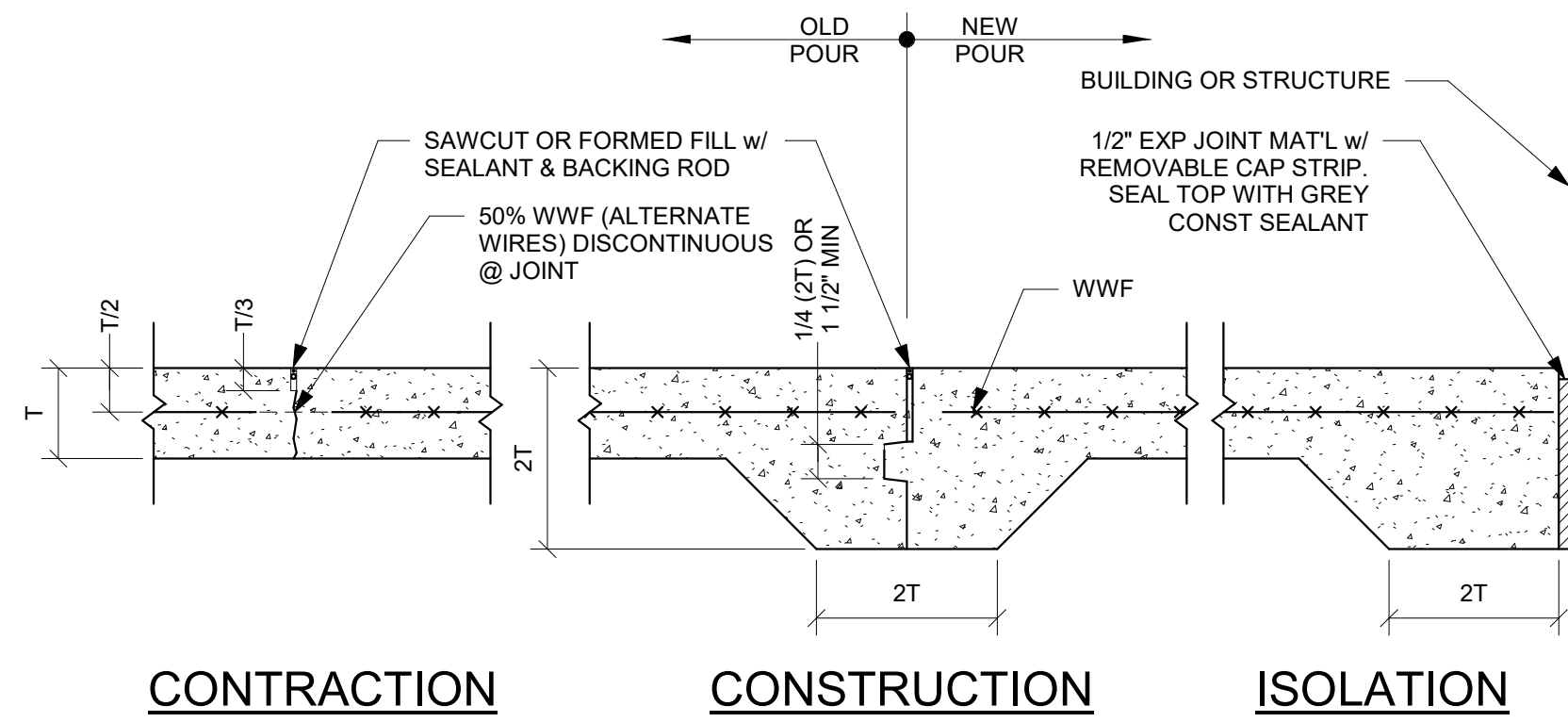
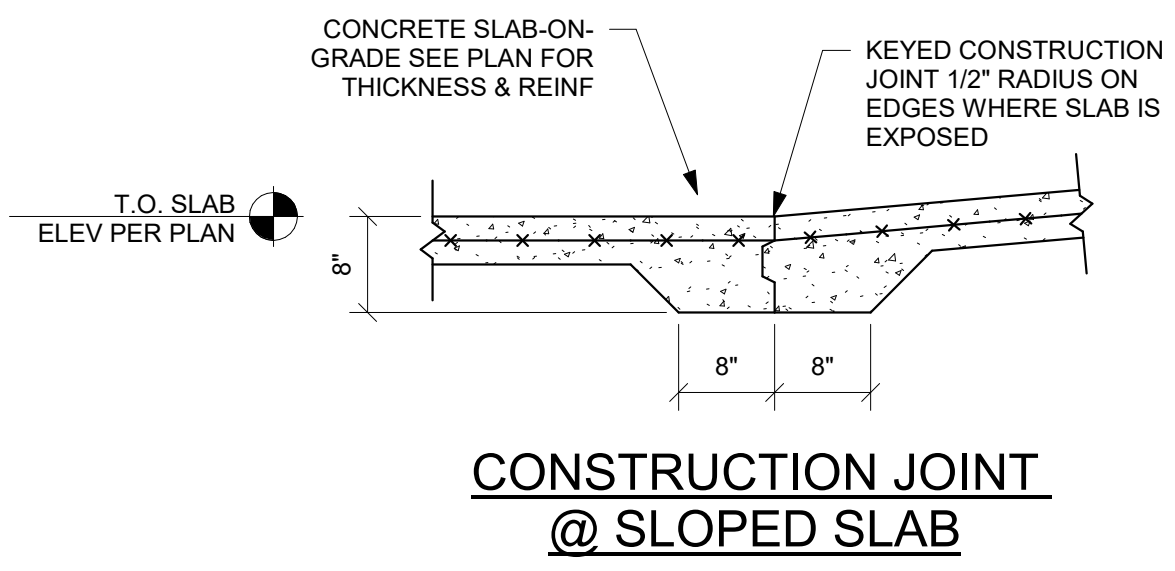


1 PIPE @ GRADE BEAM
S0.4 N.T.S.

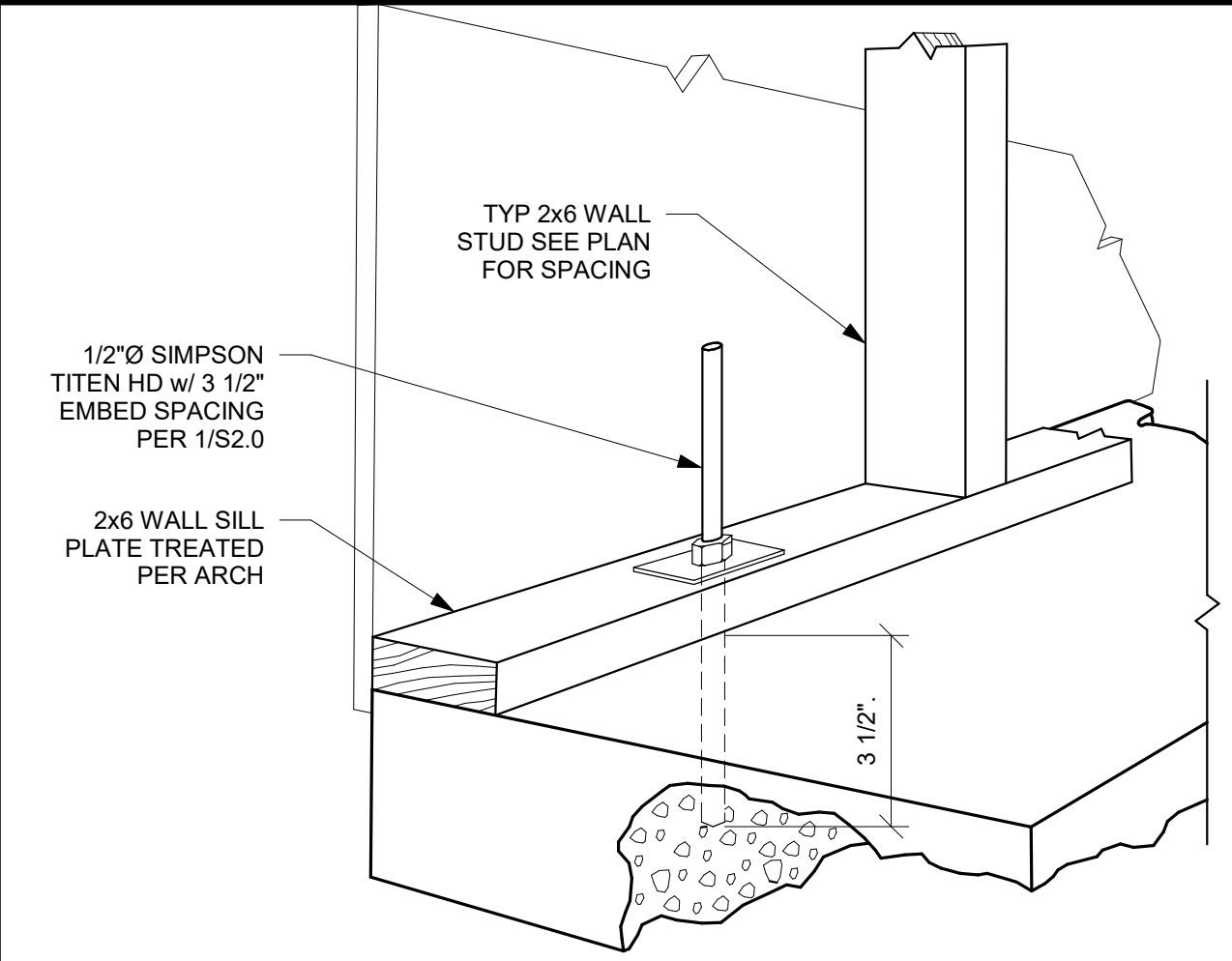


NOTE:
CONTRACTOR MAY SUBSTITUTE
SMOOTH DOWELS FOR KEY.
CONTACT ENGINEER FOR DETAILS.

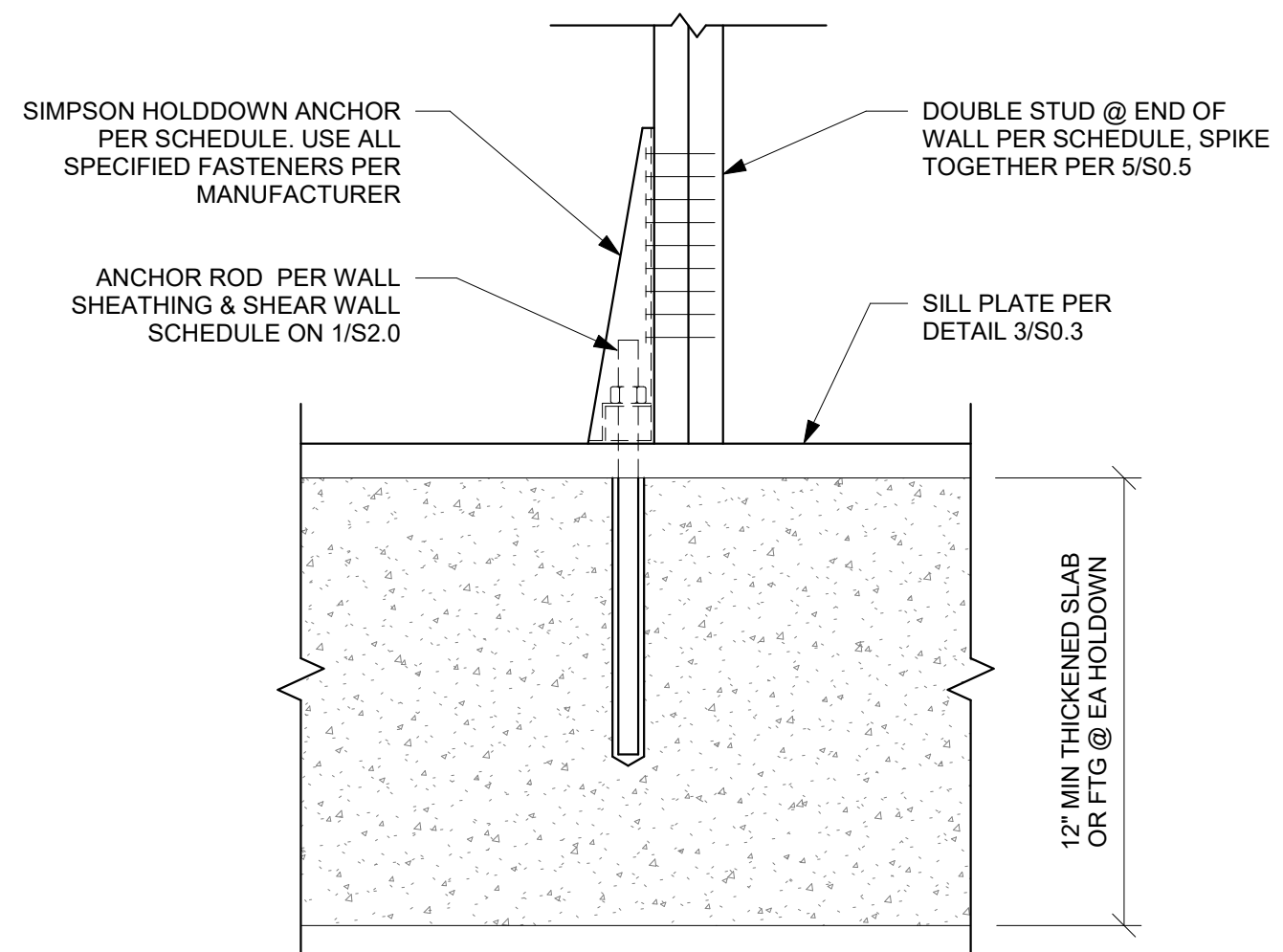
2 SLAB JOINT DETAILS
S0.4 N.T.S.



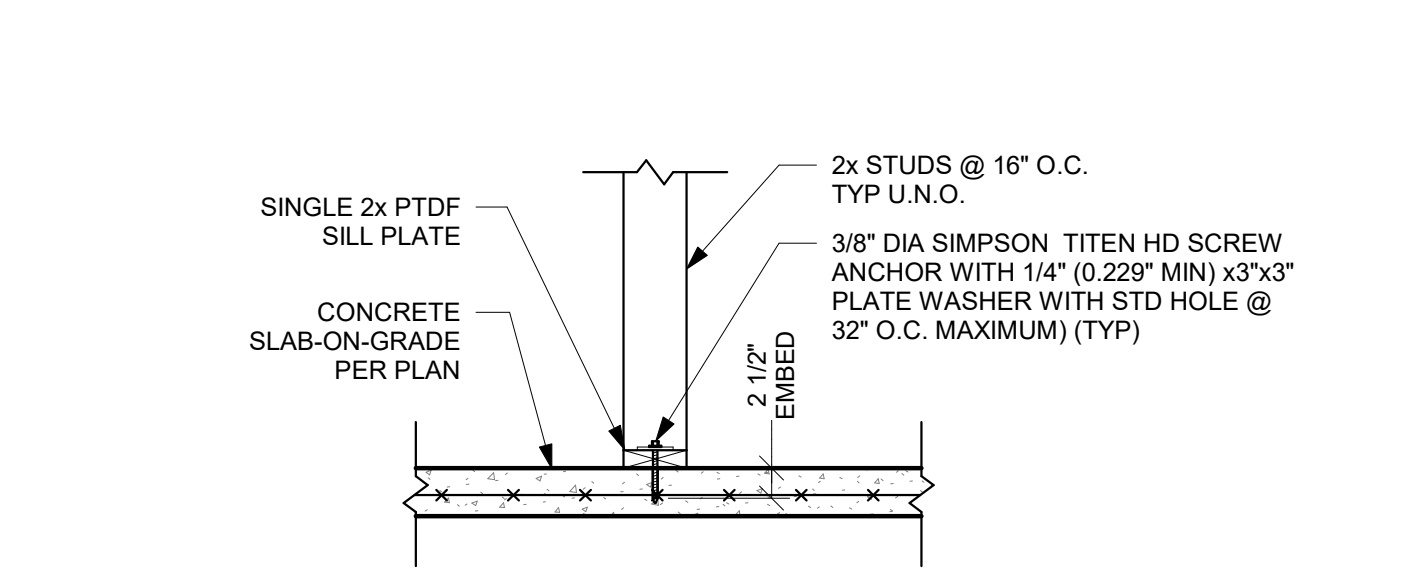
CONSTRUCTION JOINT
@ SLOPED SLAB



3 BOTTOM PLATE ANCHORAGE
S0.4 N.T.S.

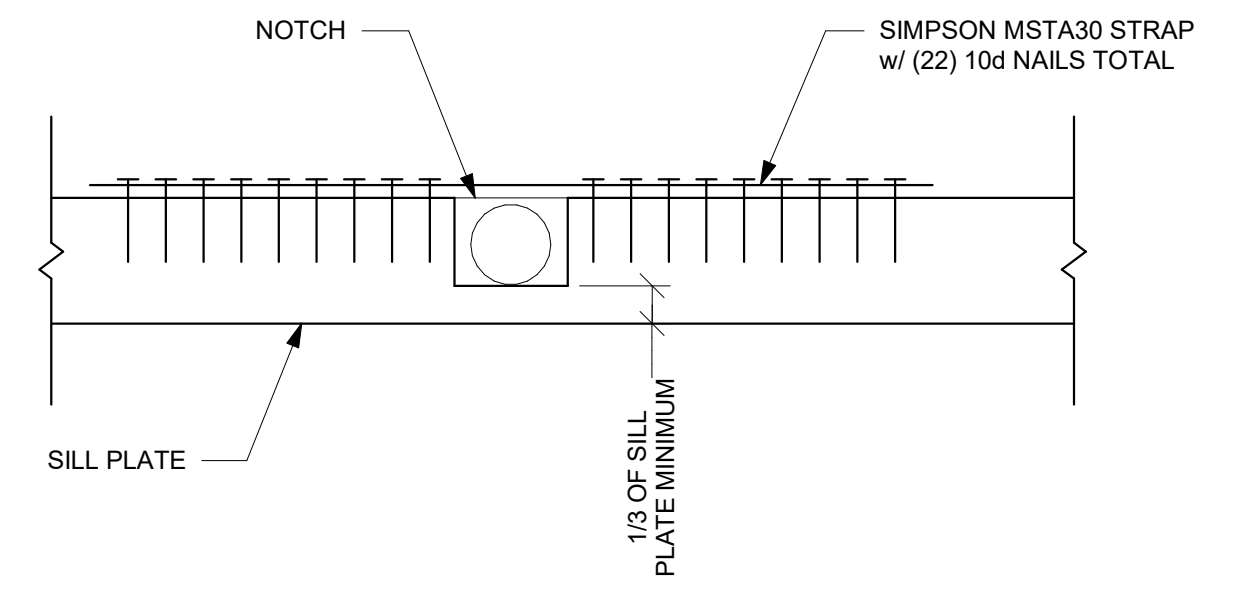


4 SHEAR WALL HOLDDOWN
S0.4 N.T.S.

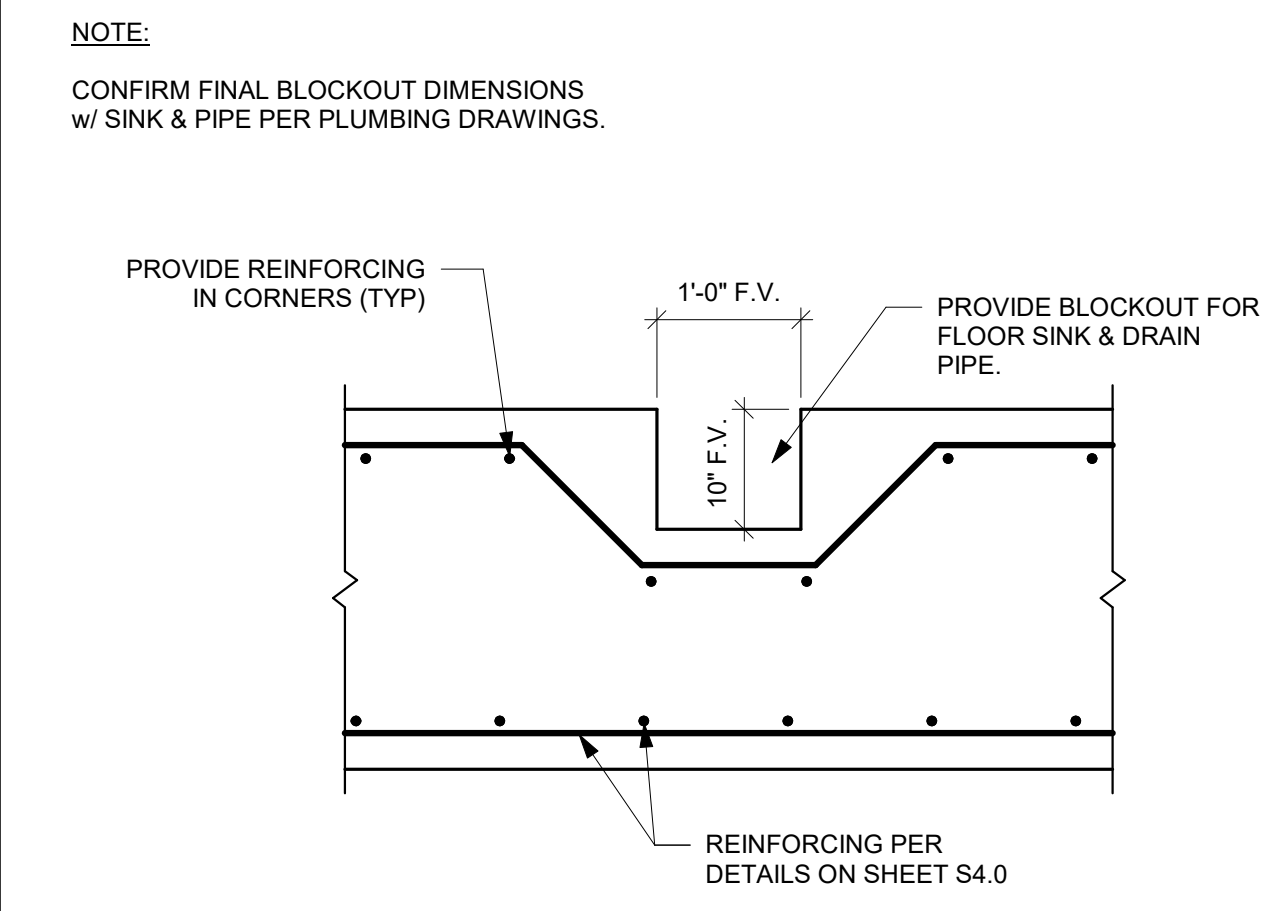


NOTE:
1. PLACE FIRST ANCHOR 6\"/>

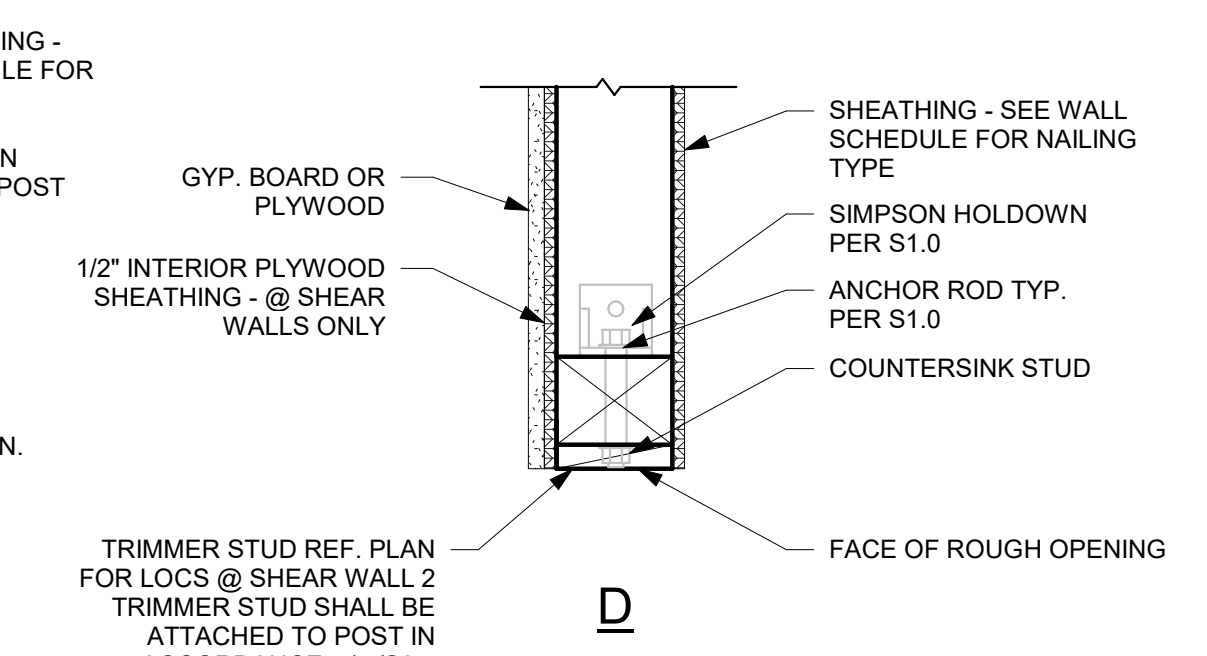
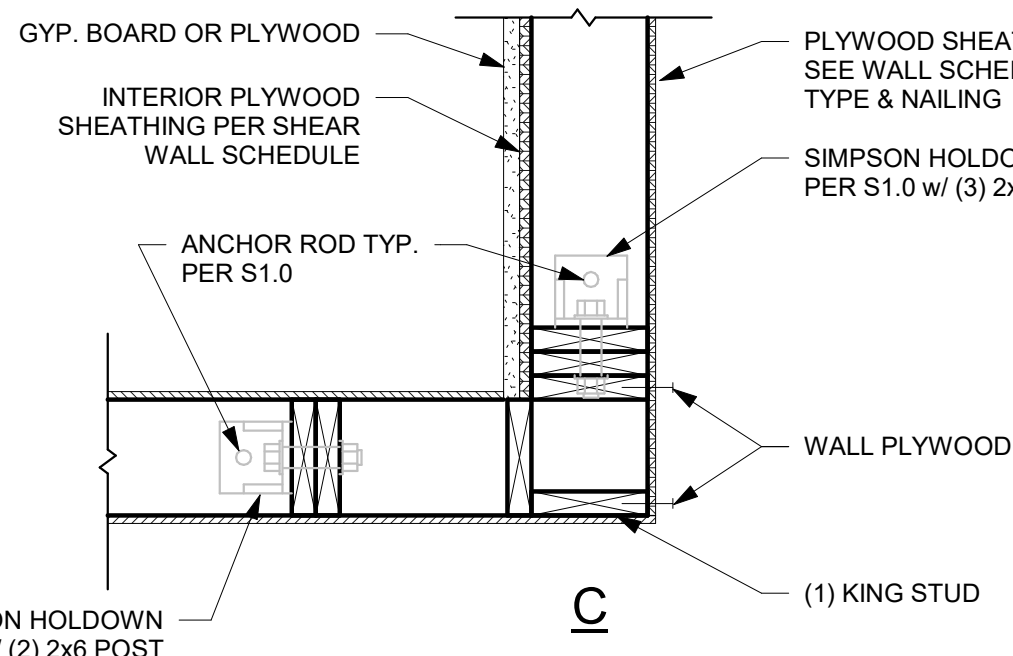
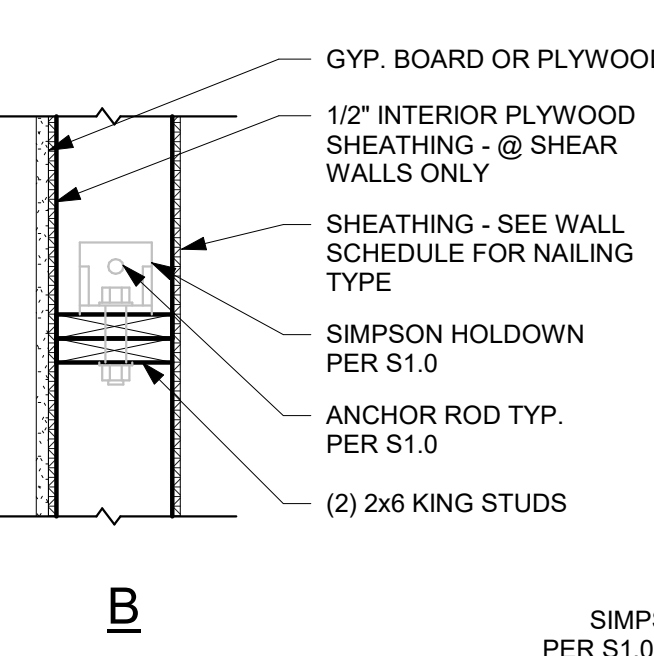
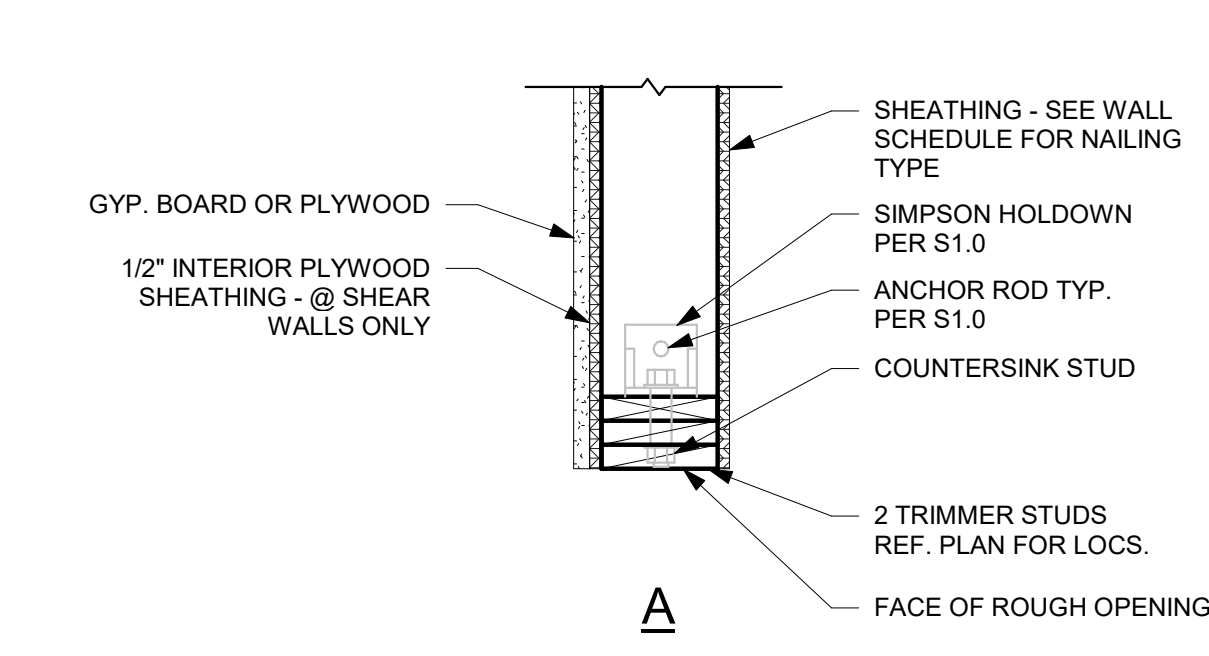
5 BOTTOM PLATE ANCHORAGE @ INT WALL
S0.4 N.T.S.



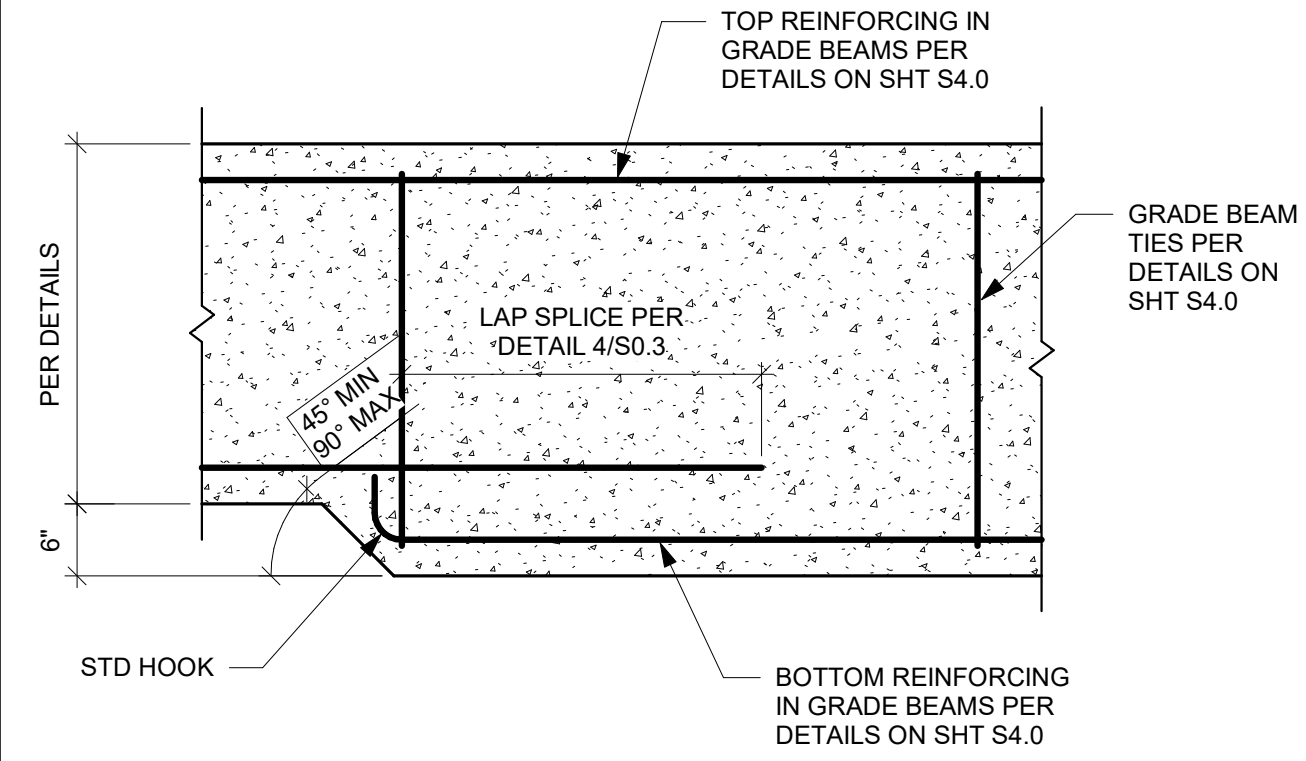
6 SILL PLATE NOTCH
S0.4 N.T.S.



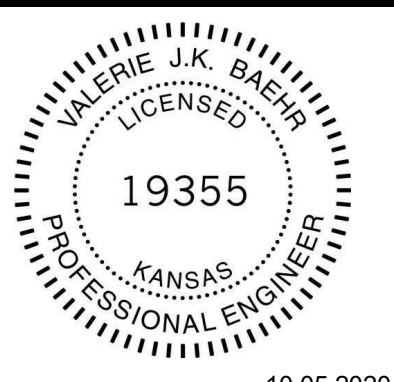
7 FOUNDATION BLOCKOUT DETAIL AT FLOOR SINK
S0.4 N.T.S.



8 HOLDOWN DETAILS
S0.4 N.T.S.



9 GRADE BEAM STEP DETAIL
S0.4 N.T.S.



PMA Engineering
4717 Shawnee Mission Pkwy
Suite 100, Overland Park, KS 66202
P: (913) 831-1262, F: (913) 831-0148
www.pmaengineering.com
PMA Engineering © 2020
(PROJECT # P 2 0 1 4 9)
18048.20003

CONTRACT DATE:
BUILDING TYPE: END. MED40
PLAN VERSION: MARCH 2020
SITE NUMBER:
STORE NUMBER:

TACO BELL
615 METROPOLITAN AVE
LEAVENWORTH, KS 66045



ENDEAVOR 1.0
TYPICAL
DETAILS

S0.4

PLOT DATE: 10/5/2020 3:13:28 PM

BIM 302/18048.20003_TacoBell_Leavenworth_KS_202101.rvt