

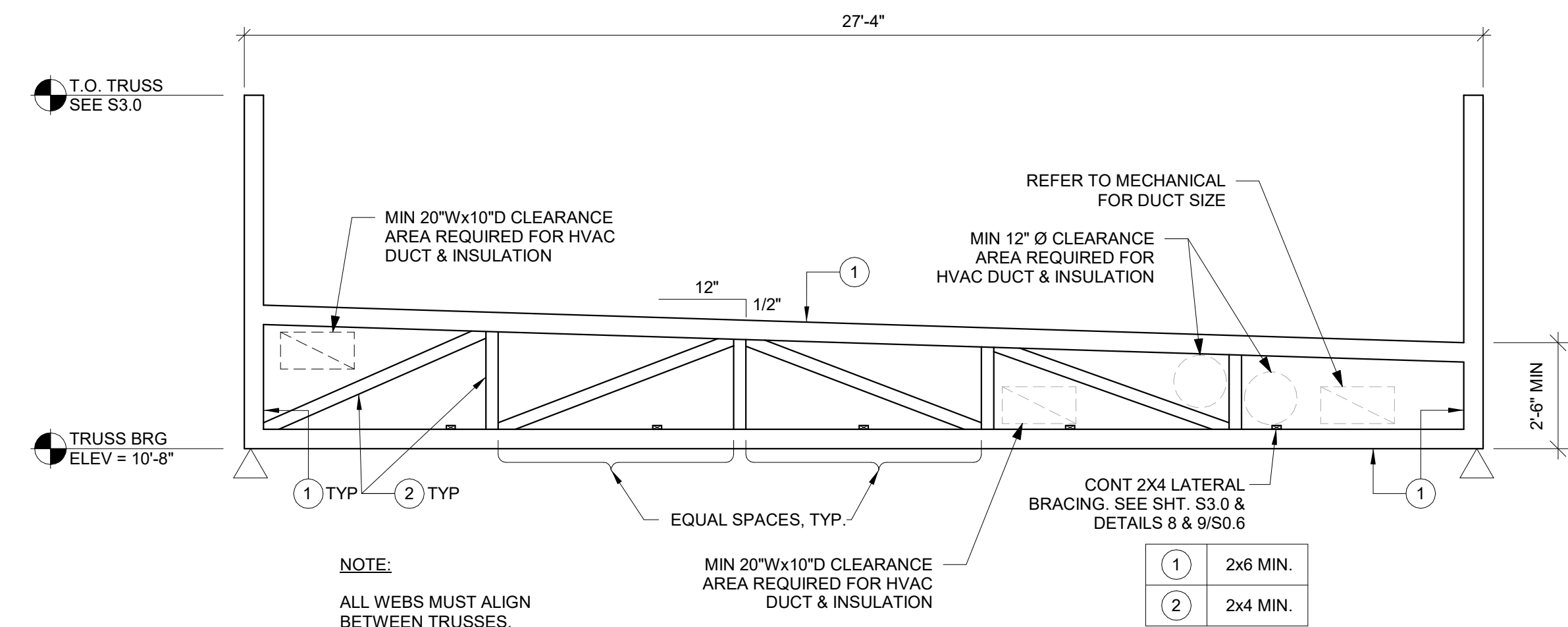
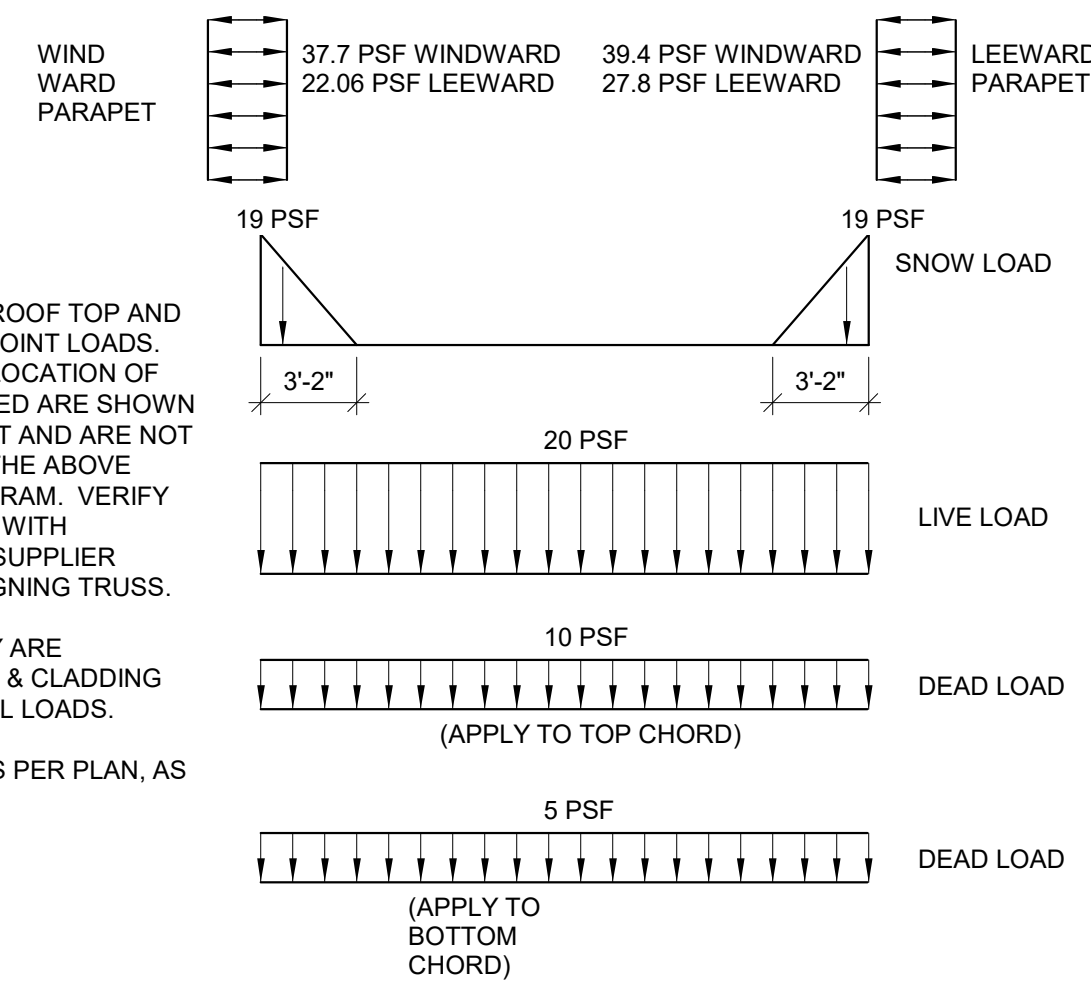
TRUSS TYPES	SINGLE TRUSS DESIGNATION	DOUBLE TRUSS DESIGNATION	BEARING POINT	COMMENTS
T1 - T30	X	XX		SEE NOTE 1.

**NOTES:**

- HOLDOWN CONNECTORS SHALL BE SPECIFIED BY SITE SPECIFIC ARCHITECT/ ENGINEER BASED UPON LOADING DATA PROVIDED BY TRUSS DESIGNER. SEE S4.1-S4.3 FOR TYPICAL DETAILS. SIMPSON A35-3 IS GOOD FOR AN UPLIFT OF 510 LBS AND A LATERAL FORCE OF 575 LBS IN EITHER DIRECTION. SIMPSON LSTA 30 IS GOOD FOR AN ALLOWABLE TENSION LOAD OF 1640 LBS.
- PROVIDE SHOP DRAWINGS PRIOR TO FABRICATION.
- TRUSS MEMBER SIZES ARE FOR REFERENCE ONLY. ACTUAL SIZE SHALL BE DETERMINED BY TRUSS MANUFACTURER BASED ON ACTUAL LOAD CONDITIONS AND CODES.

**NOTE:**

- ALSO, APPLY ROOF TOP AND SUSPENDED POINT LOADS. WEIGHT AND LOCATION OF UNITS AS NOTED ARE SHOWN ON THIS SHEET AND ARE NOT INCLUDED IN THE ABOVE LOADING DIAGRAM. VERIFY THESE LOADS WITH MECHANICAL SUPPLIER BEFORE DESIGNING TRUSS.
- WIND GRAVITY ARE COMPONENTS & CLADDING SERVICE LEVEL LOADS.
- TOWER LOADS PER PLAN, AS OCCURS.



1 TRUSS SCHEDULE  
S0.6

2 FLAT ROOF TRUSS DESIGN CRITERIA  
S0.6 N.T.S.

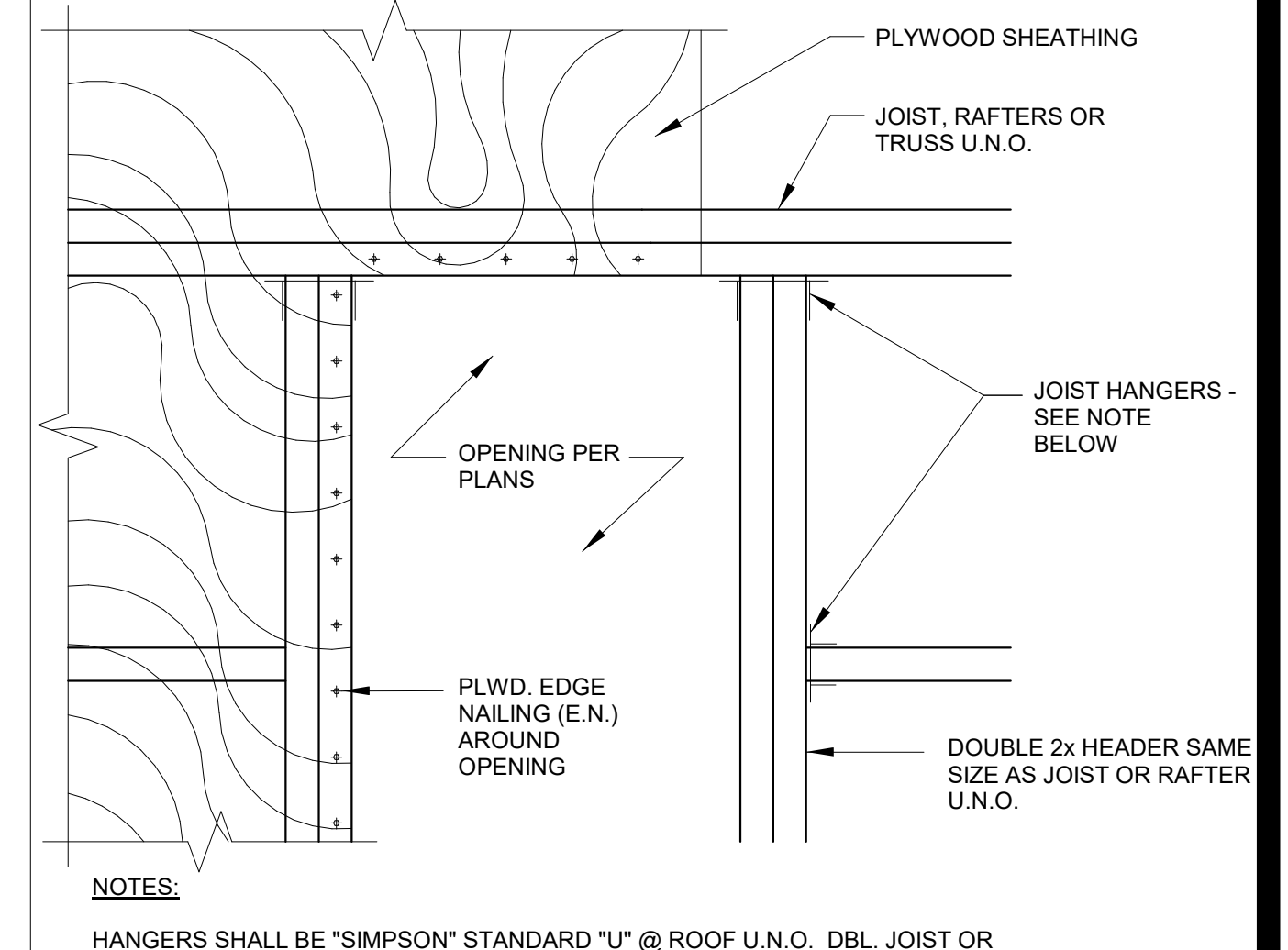
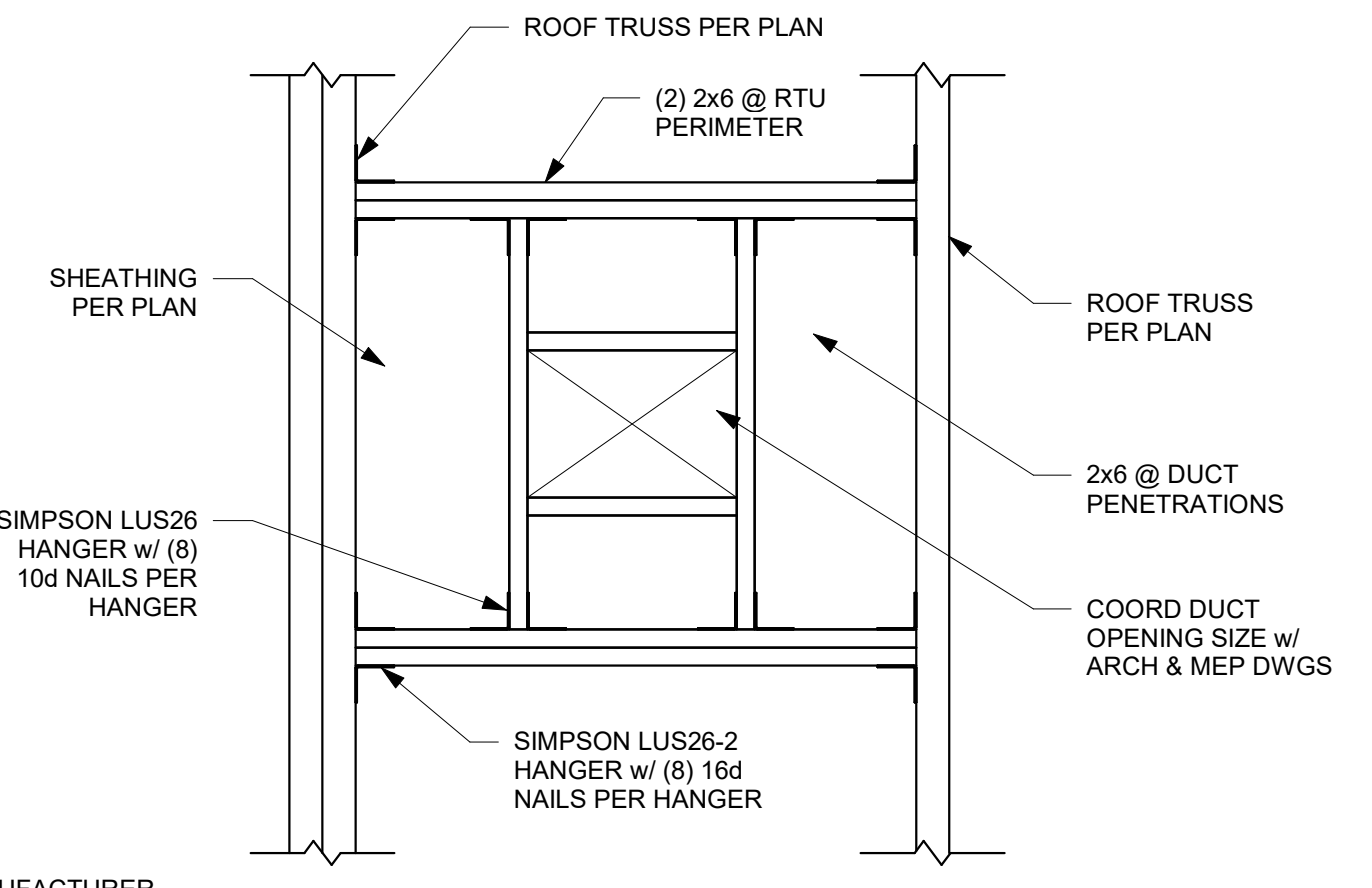
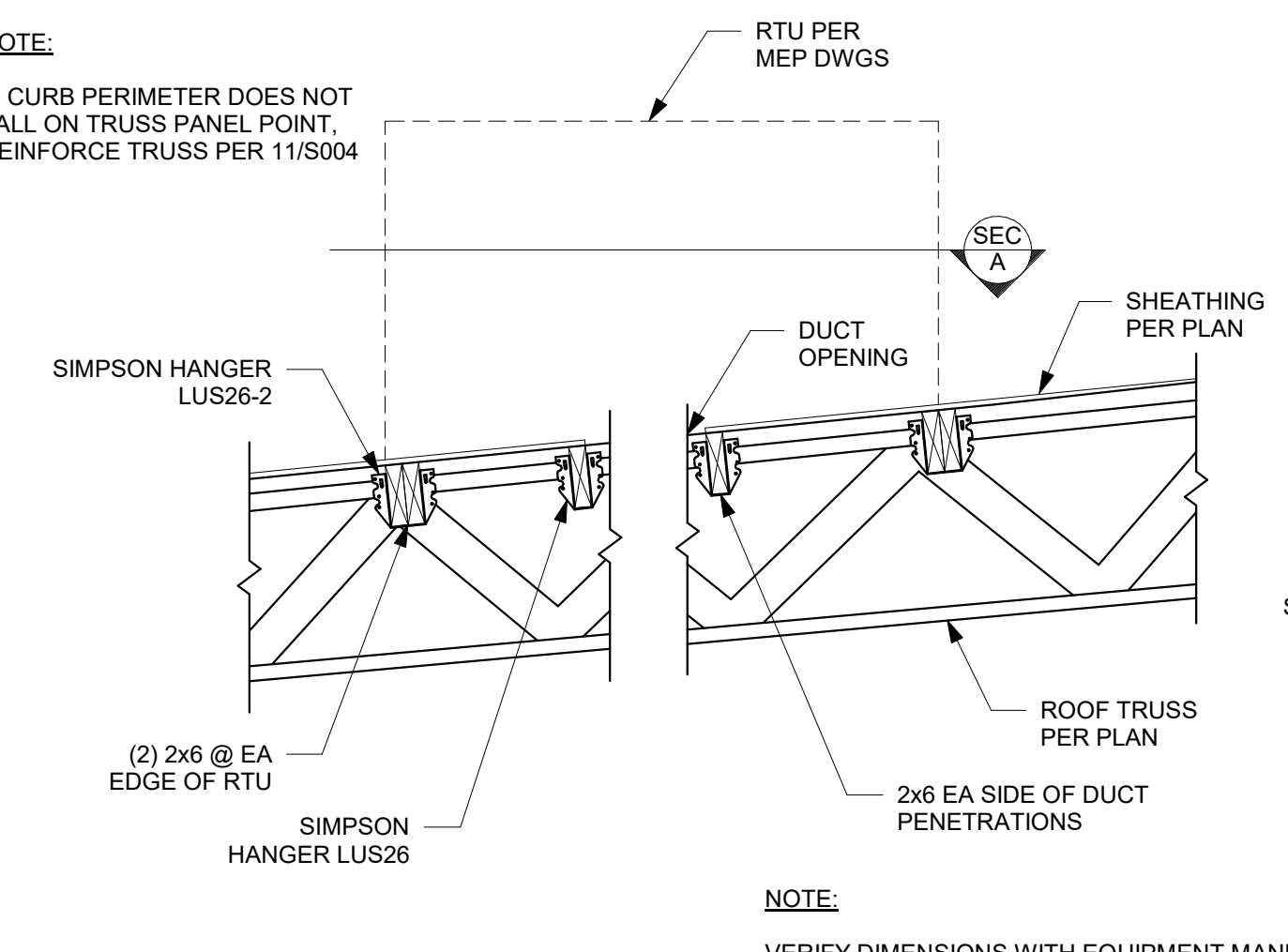
3 TRUSS ELEVATION  
S0.6 N.T.S.

EQUIPMENT	DESIGN WEIGHT
HVAC UNIT - RTU-1	★ 1700 lbs.
HVAC UNIT - RTU-2	★ 2800 lbs.
HVAC UNIT - RTU-1 (ALT)	★ 1750 lbs.
HVAC UNIT - RTU-2 (ALT)	★ 1900 lbs.
EXHAUST FAN - EF-1	★ 200 lbs.
EXHAUST FAN - EF-2	★ 70 lbs.
HOOD #1 - TACO BELL	400 lbs.
ICE CONDENSERS	200 lbs.
FREEZER CONDENSER	300 lbs.
COOLER CONDENSER	300 lbs.
MUZAK DISH, SLED & BALLAST - ALLOW FOR LOCATION ANYWHERE ON ROOF.	1,087 lbs.

- ★ A. ALL DESIGN WEIGHTS INCLUDE CURB.  
B. COORDINATE WEIGHTS WITH HVAC UNIT SCHEDULE 1/M1.0.

**NOTE:**

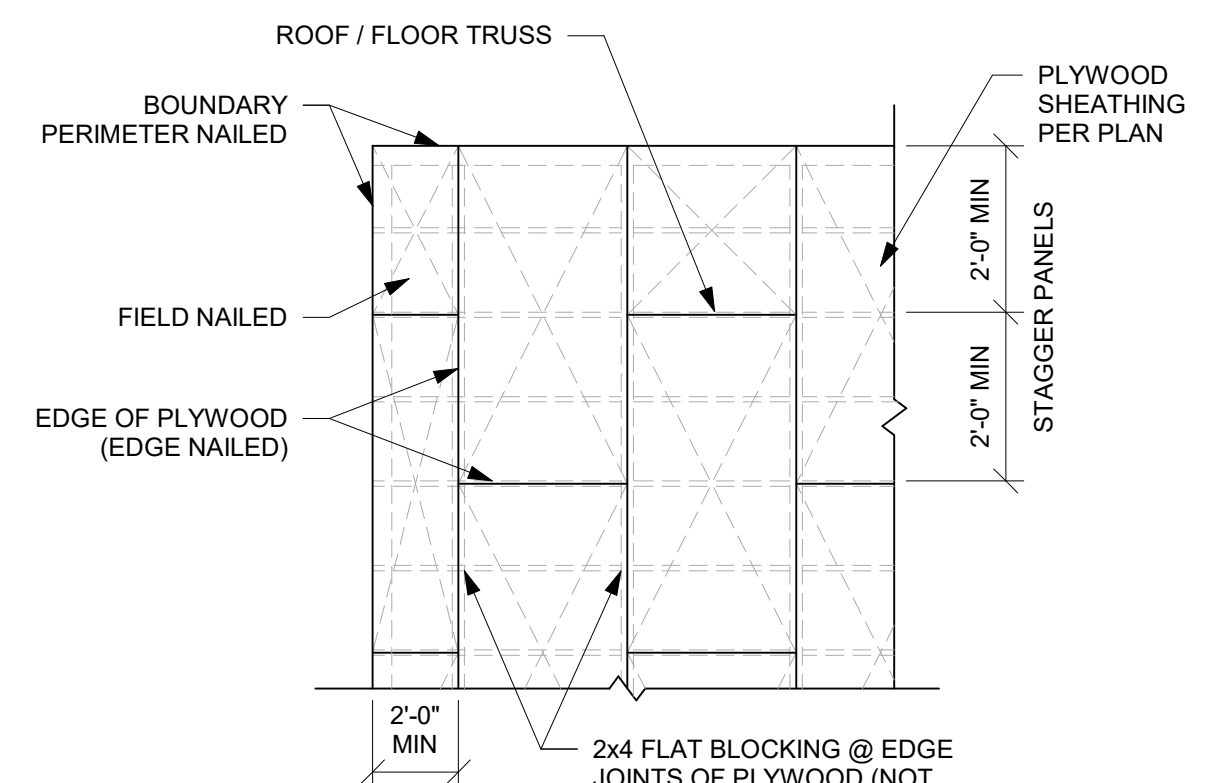
IF CURB PERIMETER DOES NOT FALL ON TRUSS PANEL POINT, REINFORCE TRUSS PER 11/S004



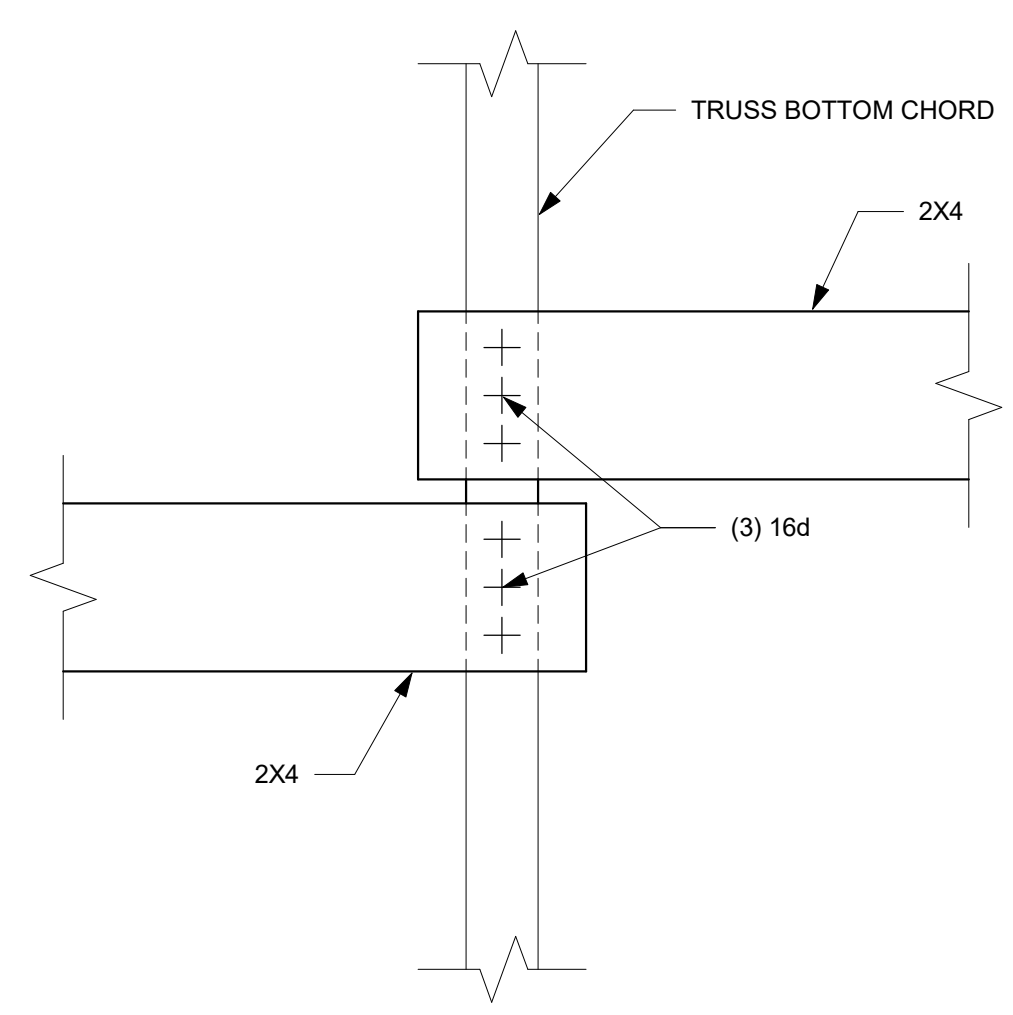
4 ROOF TOP EQUIPMENT WEIGHTS  
S0.6

5 RTU SUPPORT  
S0.6 N.T.S.

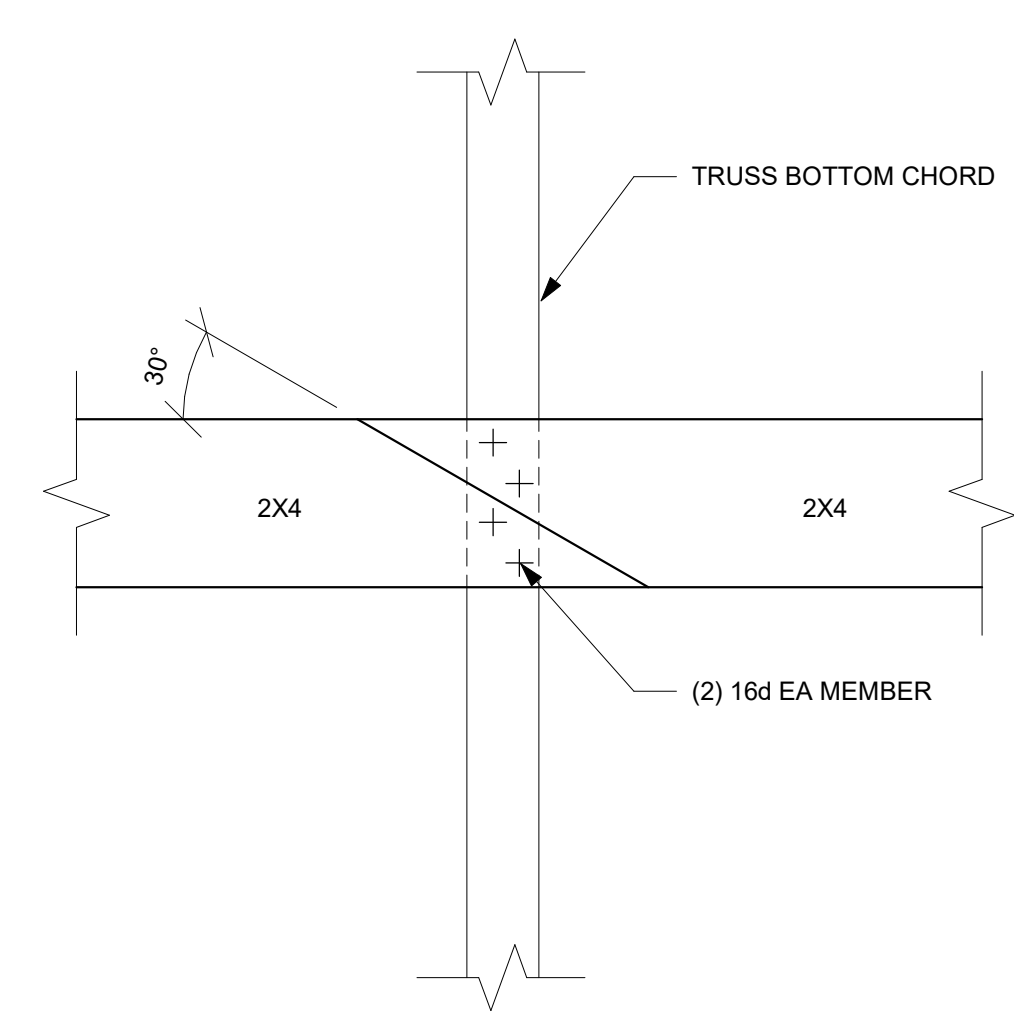
6 TYPICAL ROOF OPENING  
S0.6 N.T.S.



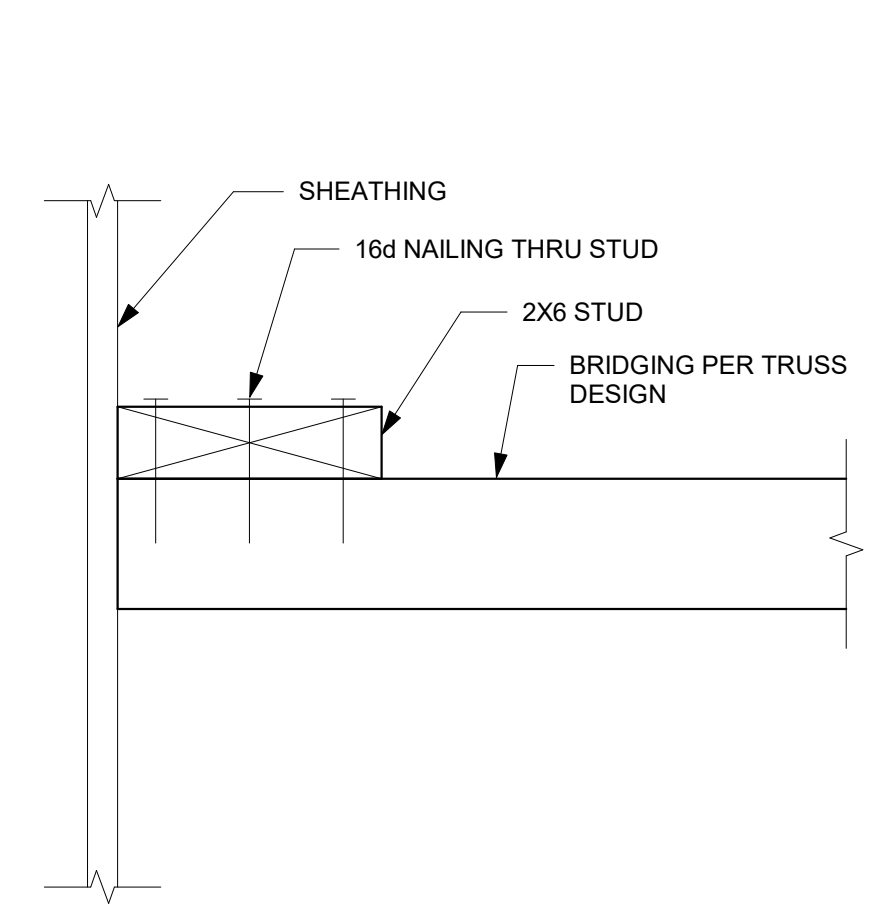
- NOTES:**
- RUN LONG DIMENSION OF PLYWOOD PANELS PERPENDICULAR TO TRUSS.
  - STAGGER END JOINTS 2'-0" MINIMUM, AS SHOWN.
  - NAILS SHALL HAVE A MINIMUM 3/8" EDGE DISTANCE.
  - ANY OPENINGS SHALL BE FULLY BLOCKED AND NAILED TO MATCH BOUNDARY CONDITION.
  - REFER TO NOTE 17 C ON 1/S0.2 FOR ATTACHMENT.



**NOTE:**  
REFER TO TRUSS ELEVATION 3/S0.6



**NOTE:**  
REFER TO TRUSS ELEVATION 3/S0.6.



10 BRIDGING DETAIL  
S0.6 N.T.S.

7 ROOF ATTACHMENT DETAIL  
S0.6 N.T.S.

8 BRIDGING LAP DETAIL  
S0.6 N.T.S.

9 BRIDGING LAP DETAIL @ OPEN CEILING  
S0.6 N.T.S.



**PMA Engineering**  
6717 Shawnee Mission Pkwy  
Suite 100, Overland Park, KS 66202  
P: (913) 831-1262, F: (913) 831-0148  
www.pmaengineering.com  
PMA Engineering, © 2020  
(PROJECT # P 2 0 1 4 9)  
18048.20003

CONTRACT DATE:  
BUILDING TYPE: END. MED40  
PLAN VERSION: MARCH 2020  
SITE NUMBER:  
STORE NUMBER:

**TACO BELL**  
615 METROPOLITAN AVE  
LEAVENWORTH, KS 66045



ENDEAVOR 1.0  
TYPICAL  
DETAILS

**S0.6**  
PLOT DATE: 10/5/2020 3:13:31 PM

B:\3027\18048.20003\_TacoBell\_Leavenworth\2019\_TacoBell\_Leavenworth\_KS\_2021.rvt