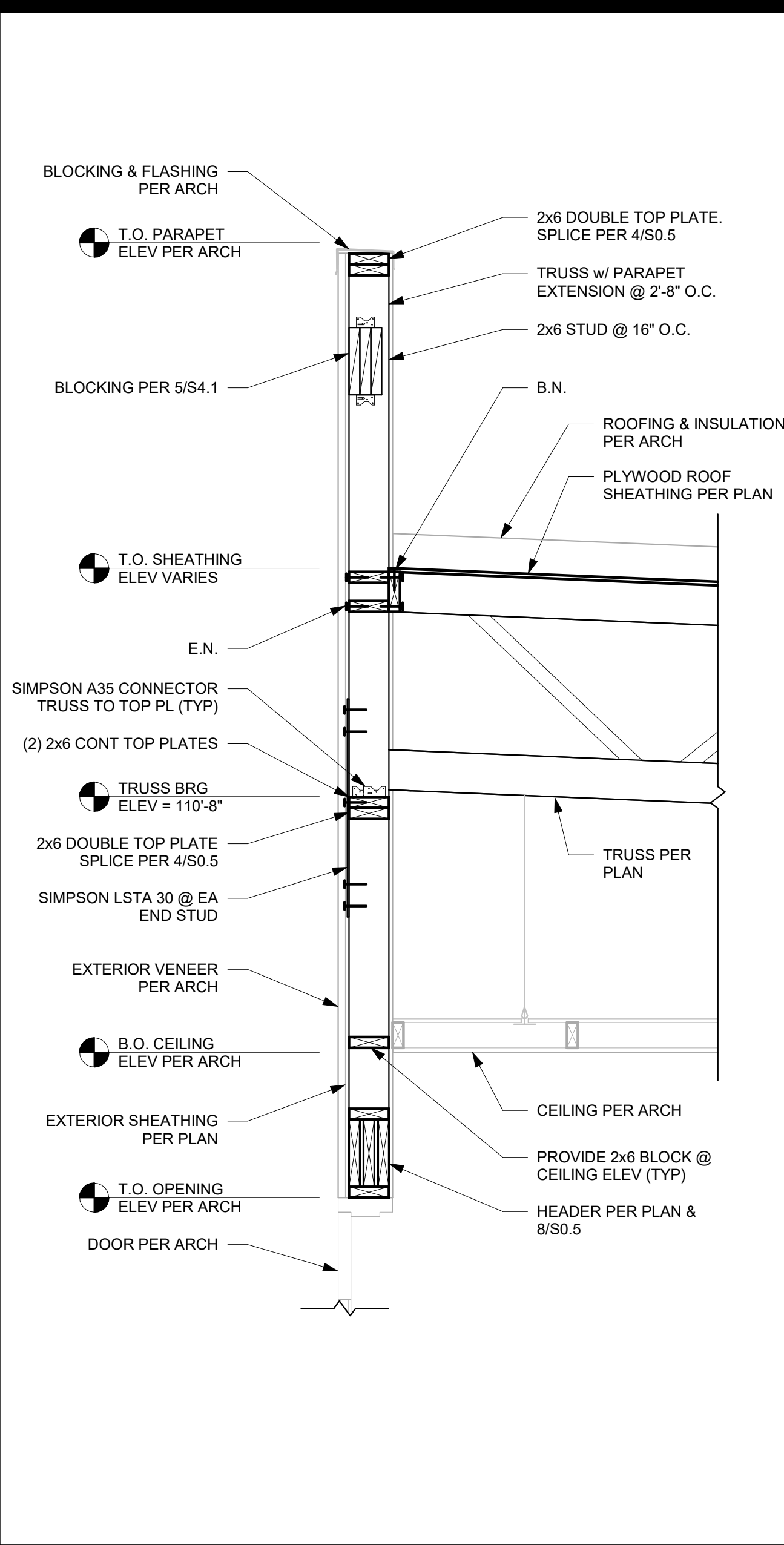
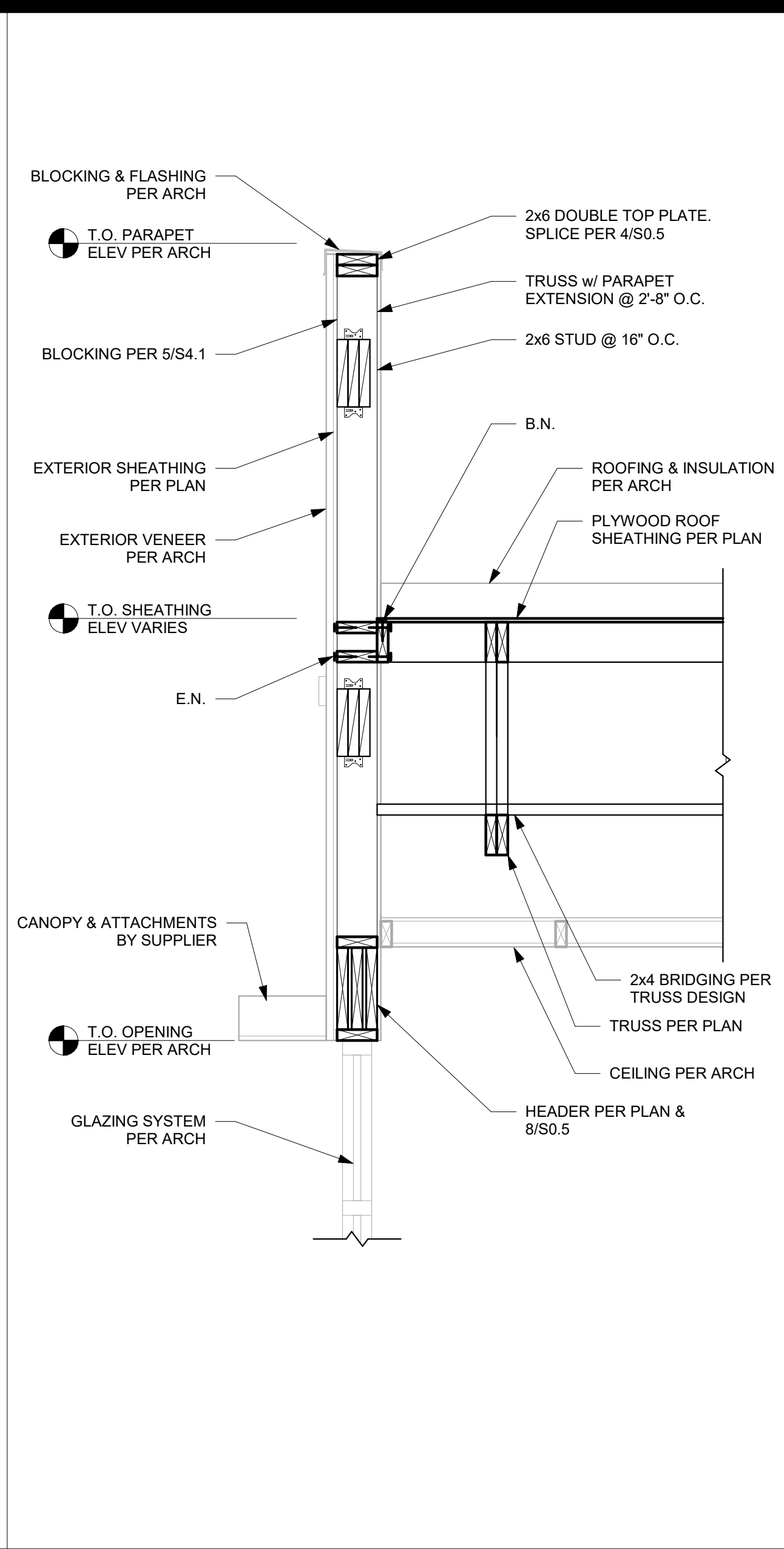


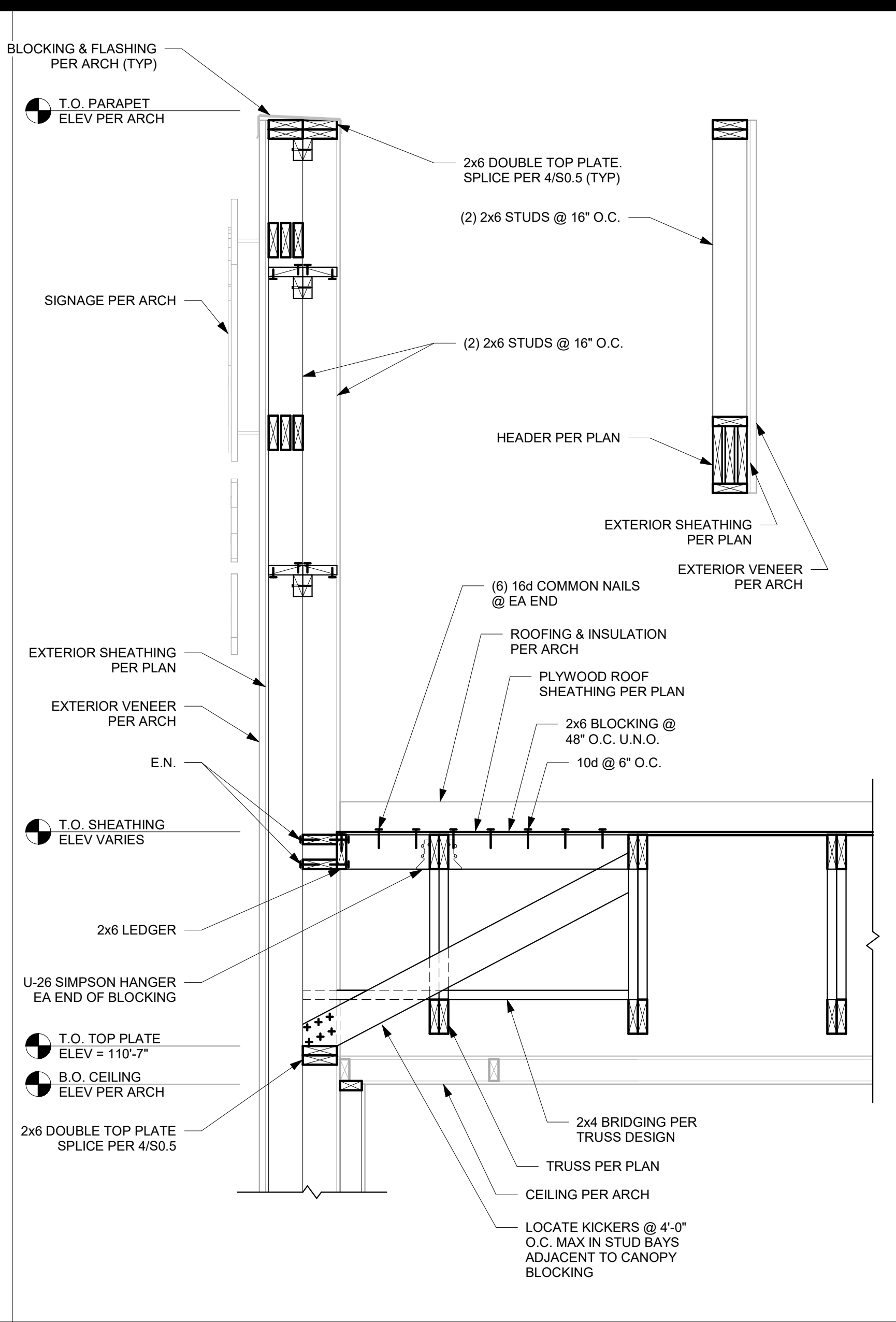
1 SECTION
S4.1 3/4" = 1'-0"



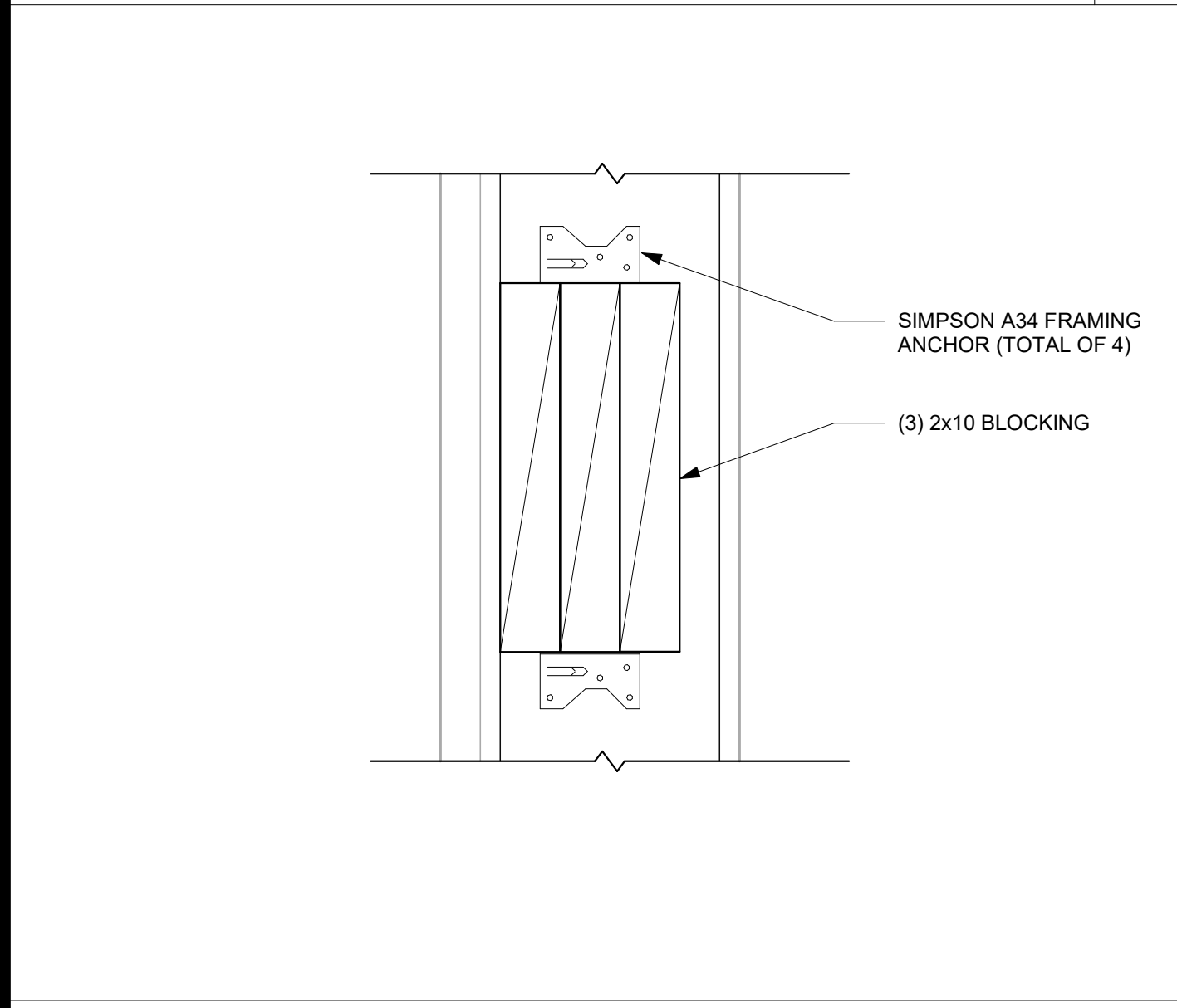
2 SECTION @ OPENING
S4.1 3/4" = 1'-0"



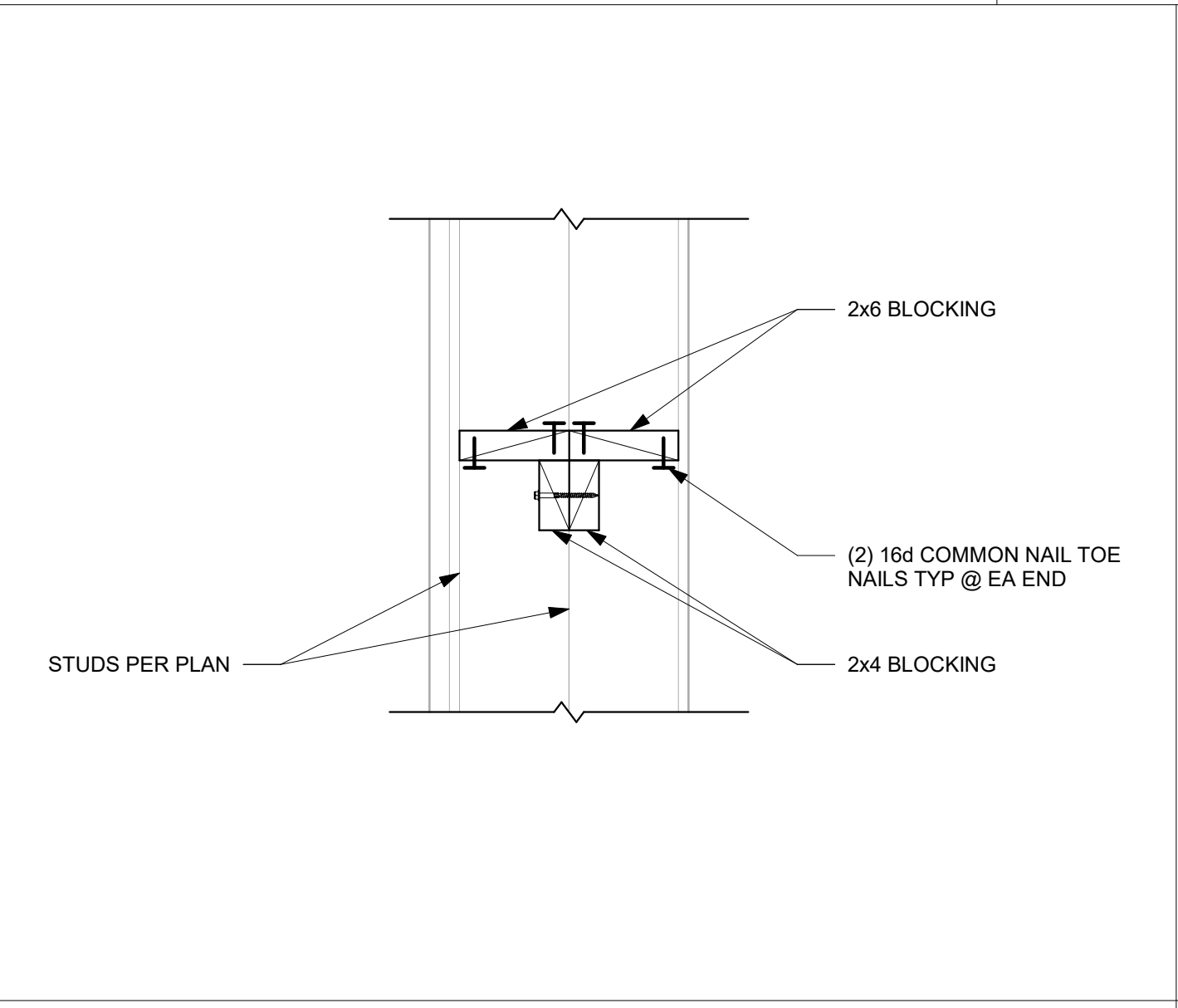
3 SECTION @ OPENING
S4.1 3/4" = 1'-0"



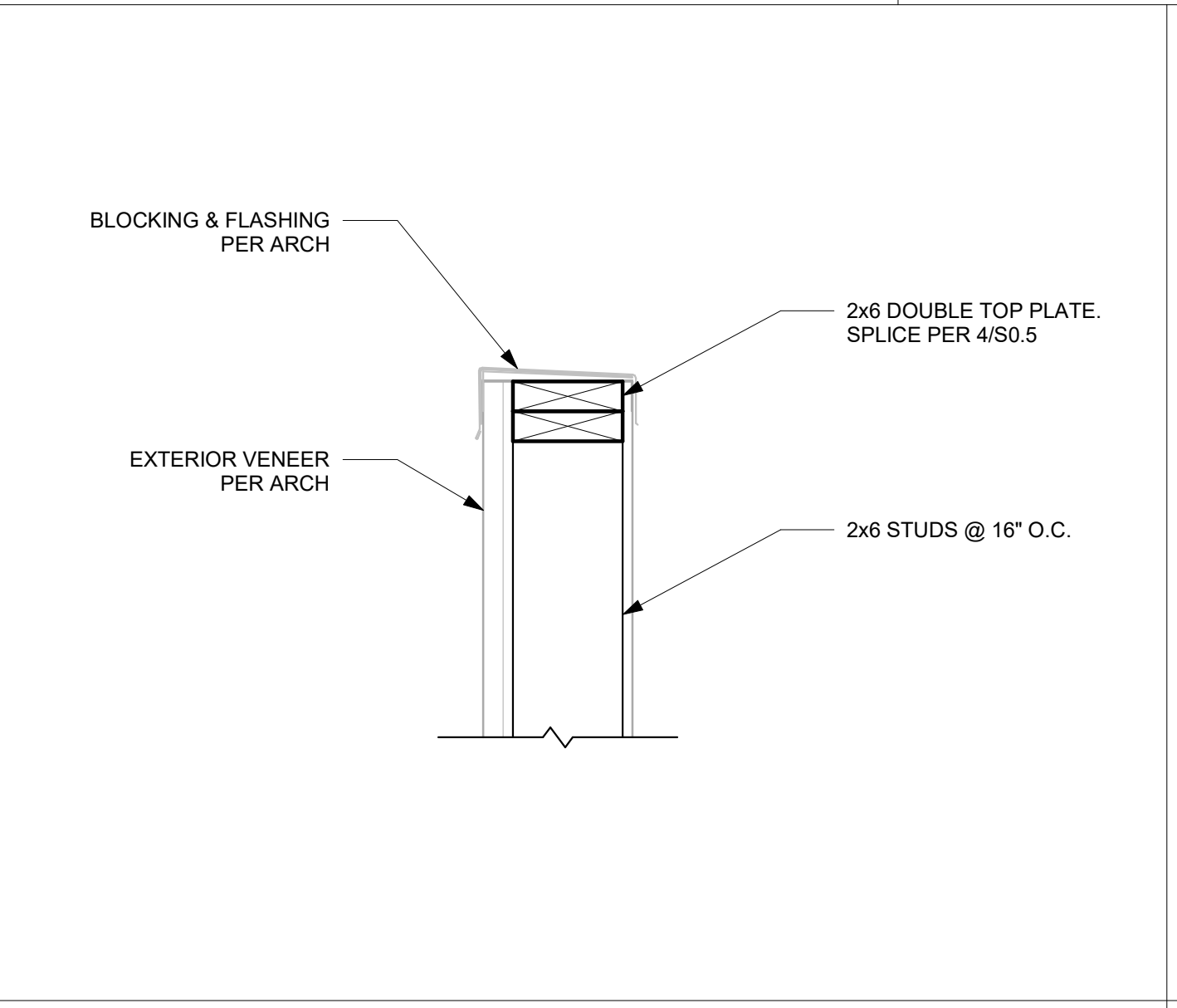
4 SECTION
S4.1 3/4" = 1'-0"



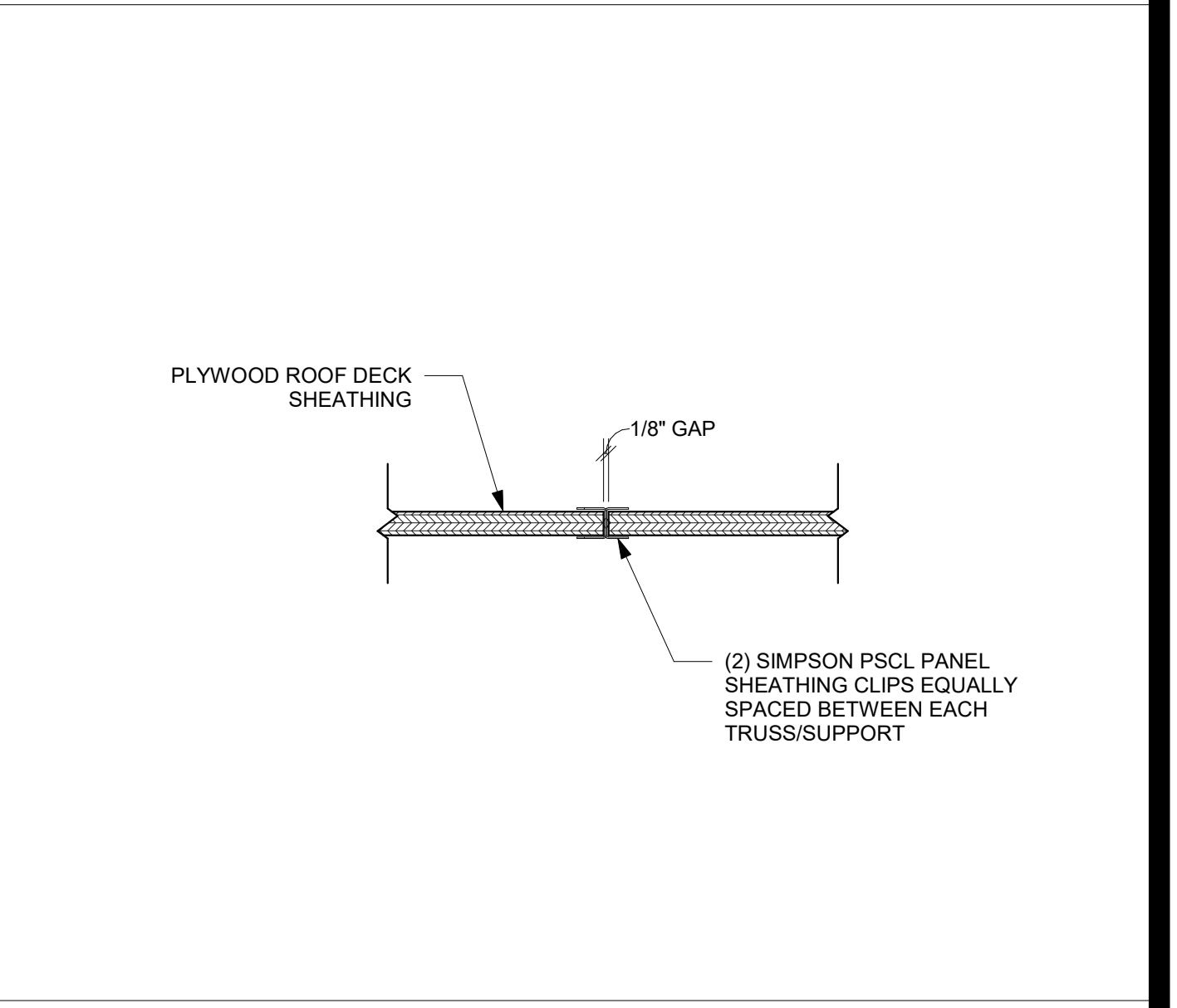
5 BLOCKING DETAIL
S4.1 3" = 1'-0"



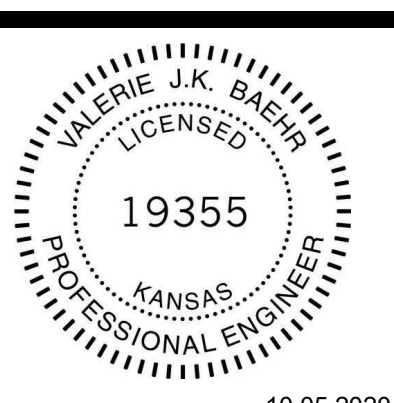
6 BUILD-OUT DETAIL
S4.1 1 1/2" = 1'-0"



7 TYPICAL PARAPET CAP
S4.1 1 1/2" = 1'-0"



8 PLYWOOD EDGE BLOCKING DETAIL
S4.1 3" = 1'-0"



PMA Engineering
4717 Shawnee Mission Pkwy
Suite 100, Overland Park, KS 66202
P: (913) 831-1262, F: (913) 831-0148
www.pmaengineering.com
PMA Engineering © 2020
(PROJECT # P20149)
18048.20003

CONTRACT DATE:
BUILDING TYPE: END. MED40
PLAN VERSION: MARCH 2020
SITE NUMBER:
STORE NUMBER:

TACO BELL
615 METROPOLITAN AVE
LEAVENWORTH, KS 66045



ENDEAVOR 1.0
ROOF FRAMING
SECTIONS

S4.1

PLOT DATE: 10/5/2020 3:13:38 PM

B:\3027\18048.20003_TacoBell_Leavenworth\20149_TacoBell_Leavenworth_KS_2020.rvt