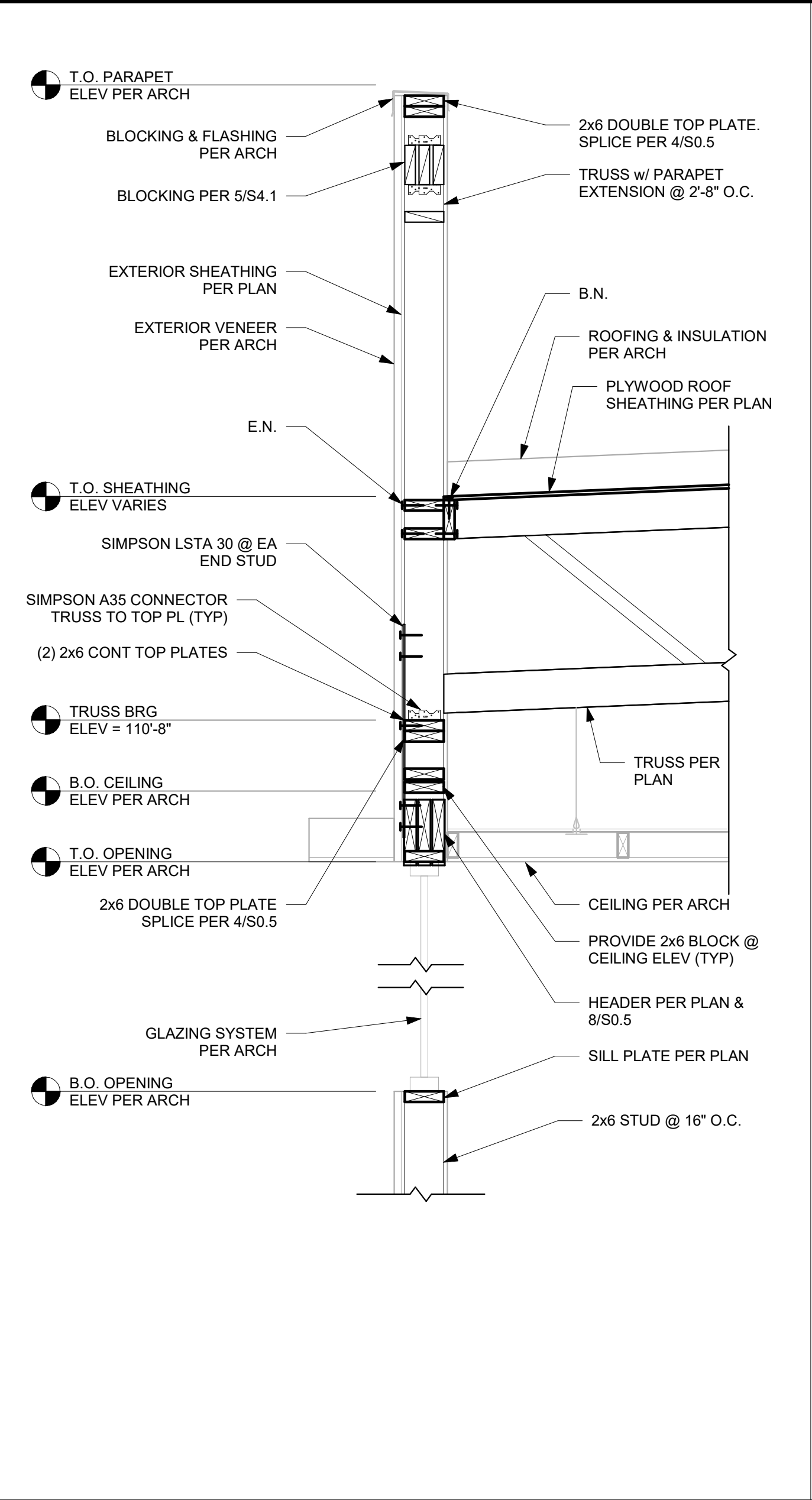
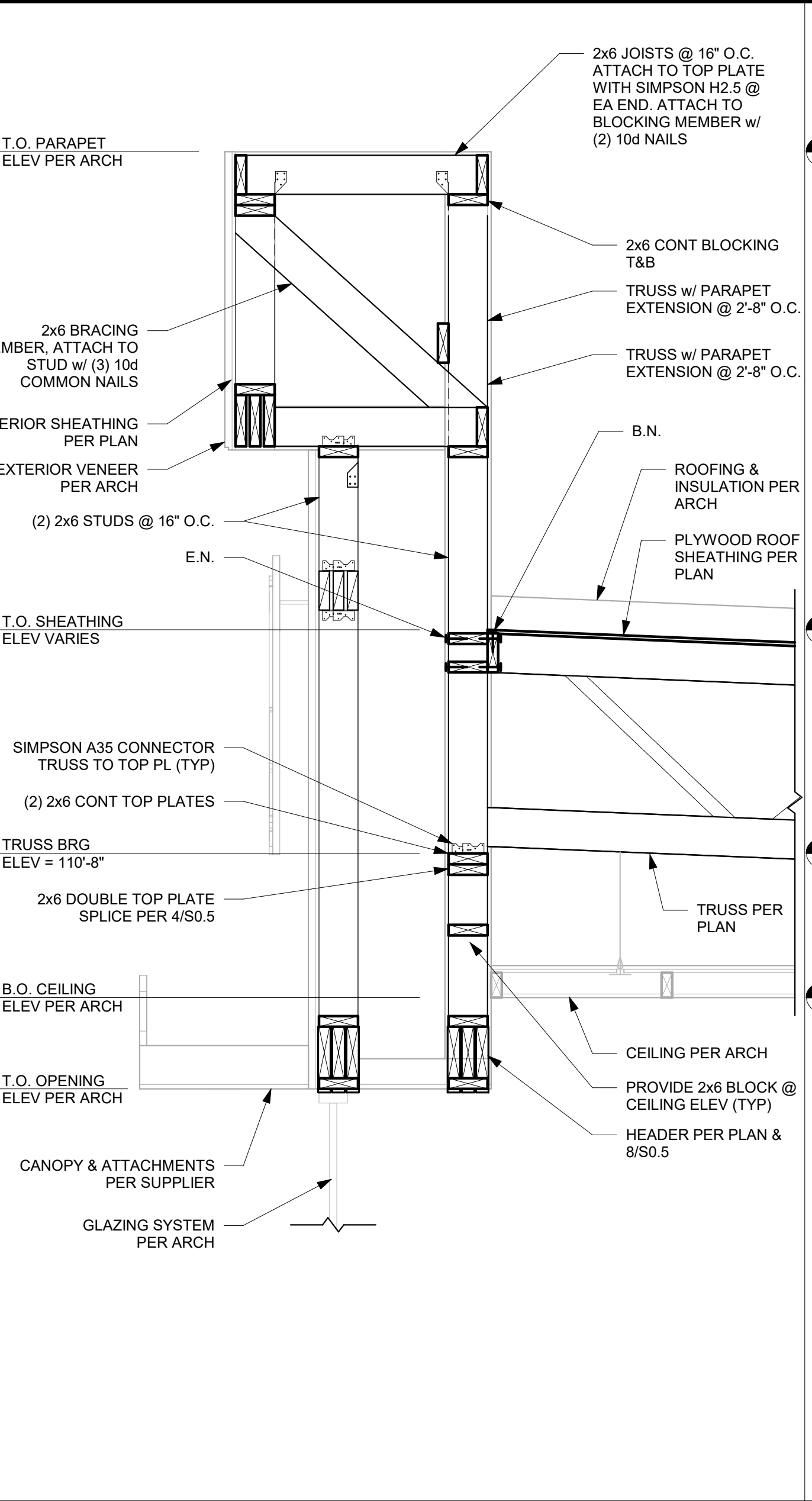


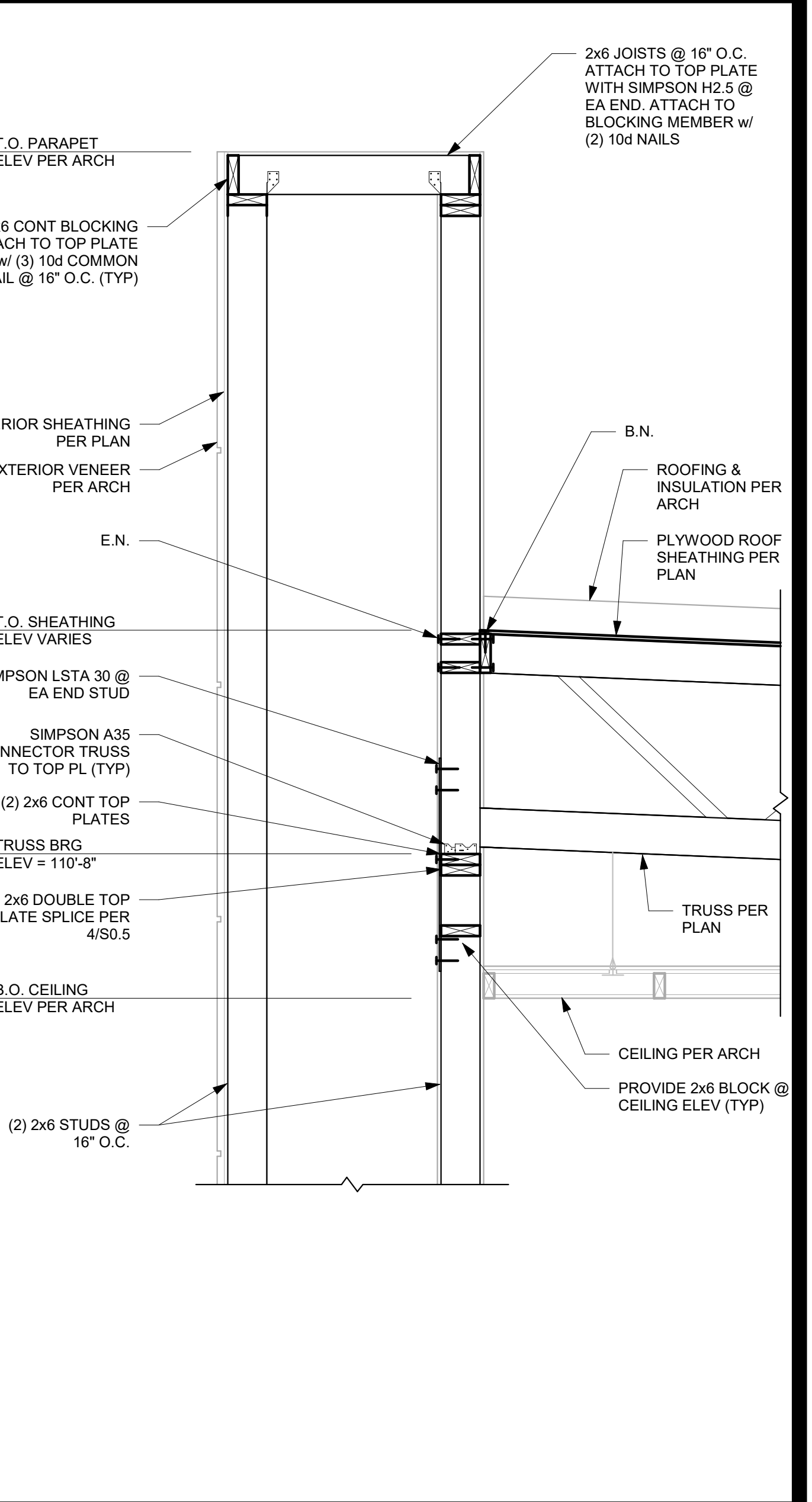
1 SECTION
S4.2 3/4" = 1'-0"



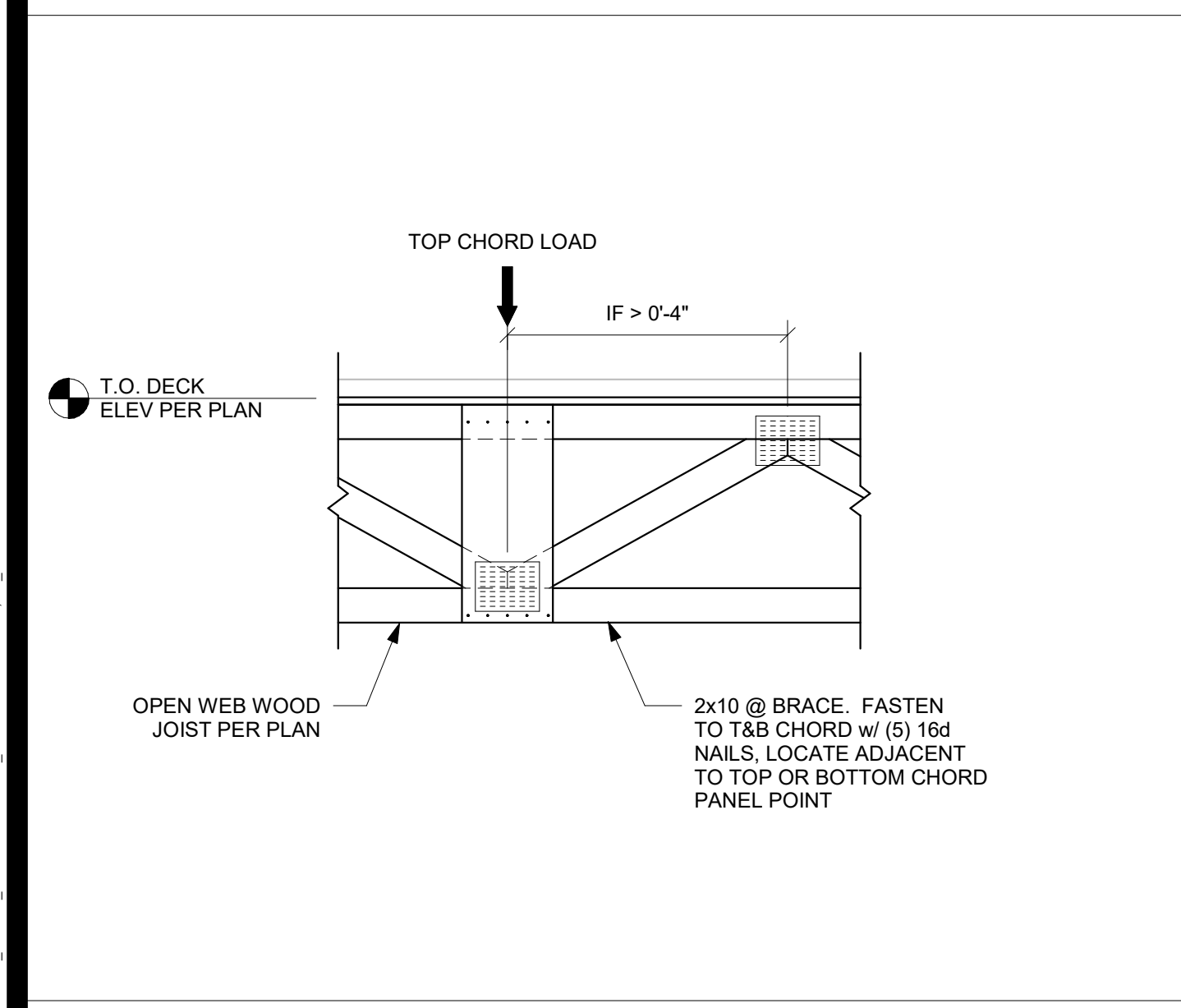
2 SECTION
S4.2 3/4" = 1'-0"



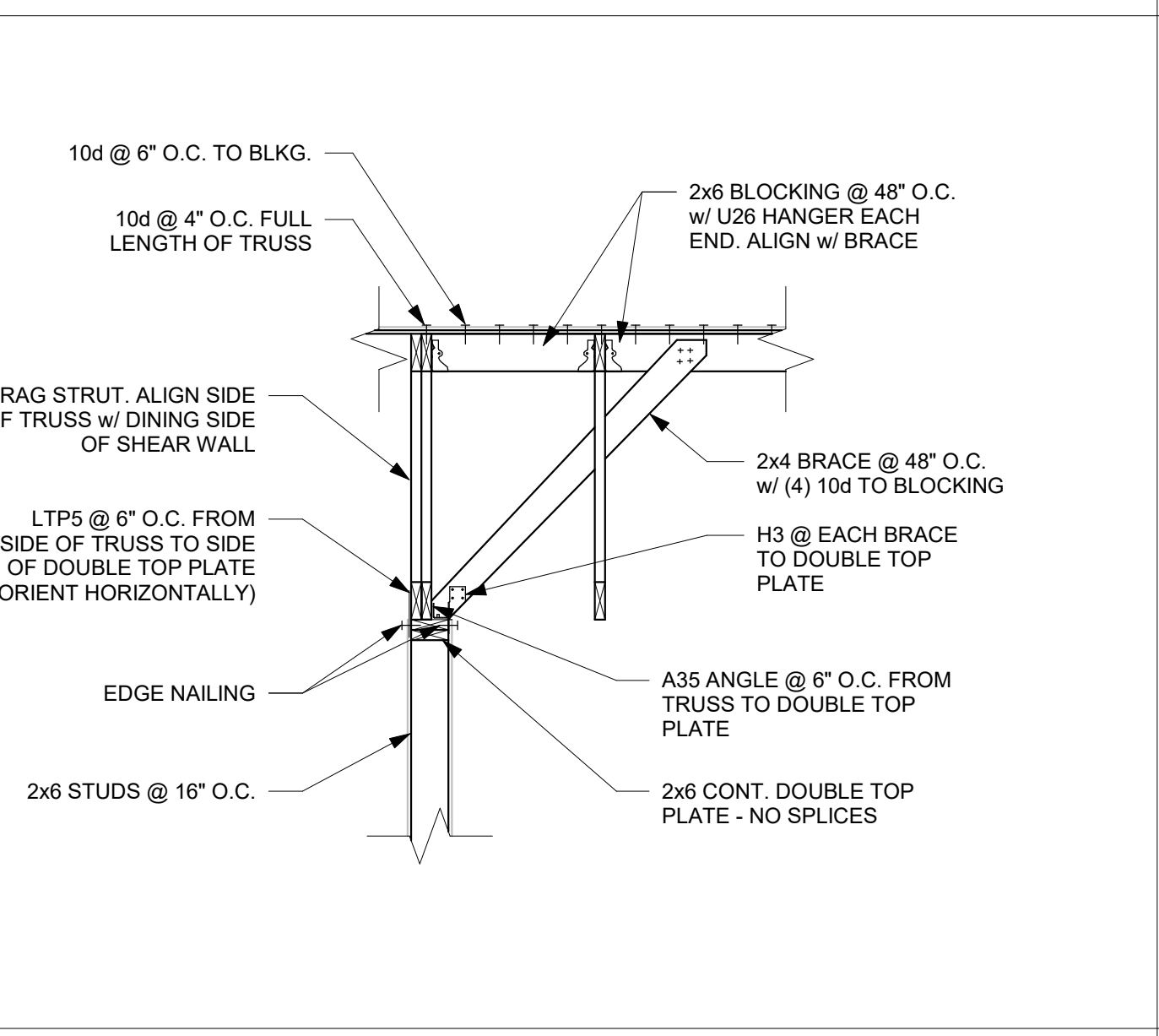
3 SECTION
S4.2 3/4" = 1'-0"



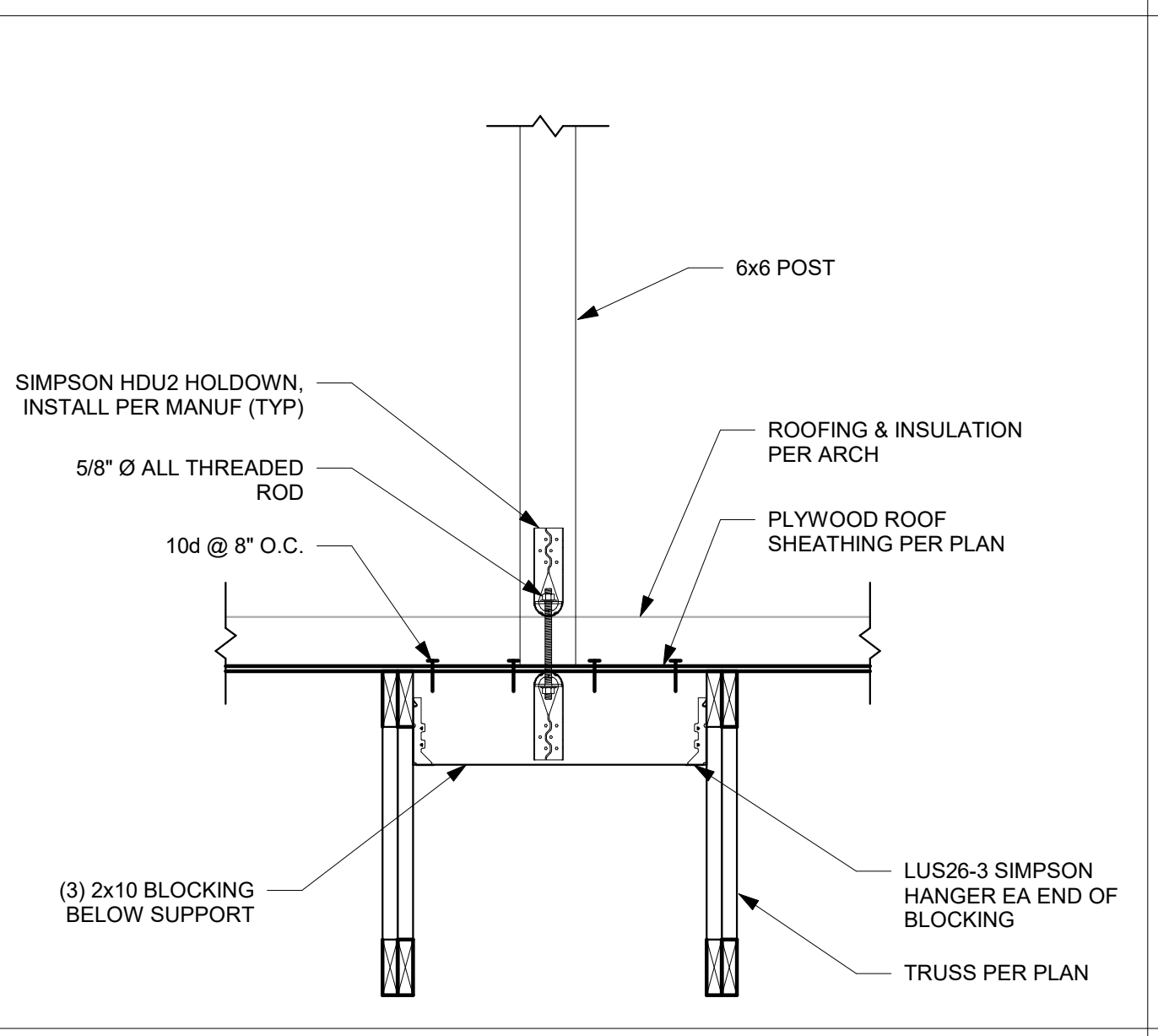
4 SECTION
S4.2 3/4" = 1'-0"



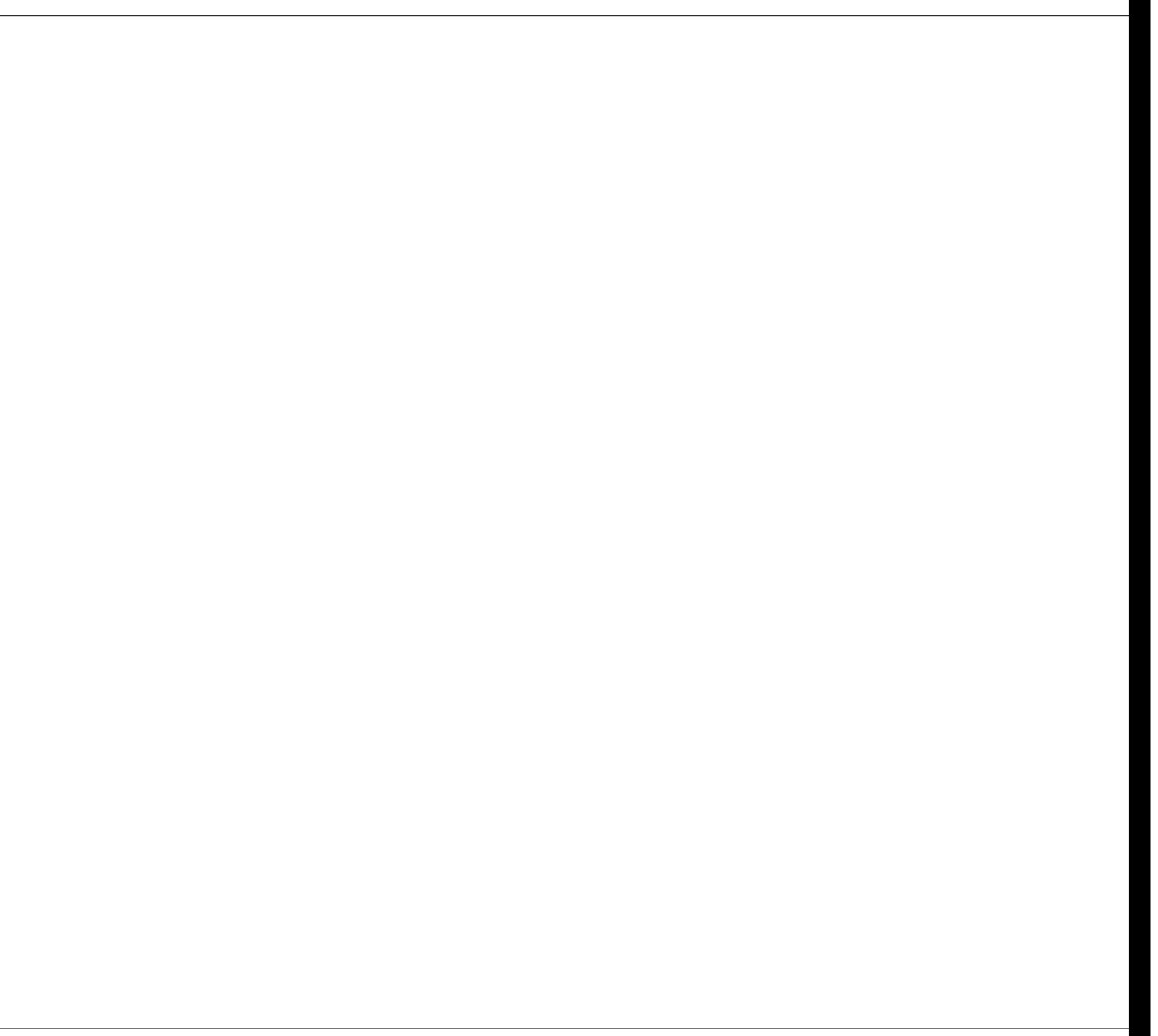
5 JOIST CHORD REINFORCING
S4.2 3/4" = 1'-0"



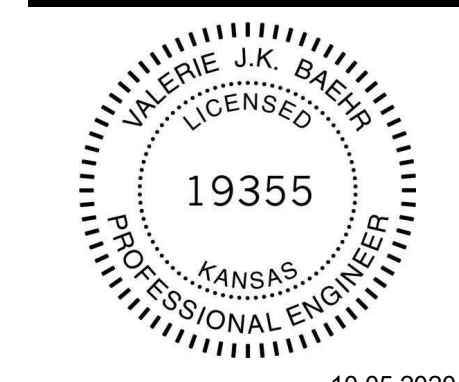
6 INTERIOR SHEAR WALL DETAIL
S4.2 3/4" = 1'-0"



7 SECTION
S4.2 3/4" = 1'-0"



8 NOT USED
S4.2



PMA Engineering
4717 Shawnee Mission Pkwy
Suite 100, Overland Park, KS 66202
P: (913) 831-1262, F: (913) 831-0148
www.pmaengineering.com
PMA Engineering © 2020
(PROJECT # P20149)
18048.20003

CONTRACT DATE:
BUILDING TYPE: END. MED40
PLAN VERSION: MARCH 2020
SITE NUMBER:
STORE NUMBER:

TACO BELL
615 METROPOLITAN AVE
LEAVENWORTH, KS 66045



ENDEAVOR 1.0
ROOF FRAMING
SECTIONS

S4.2
PLOT DATE: 10/5/2020 3:13:40 PM