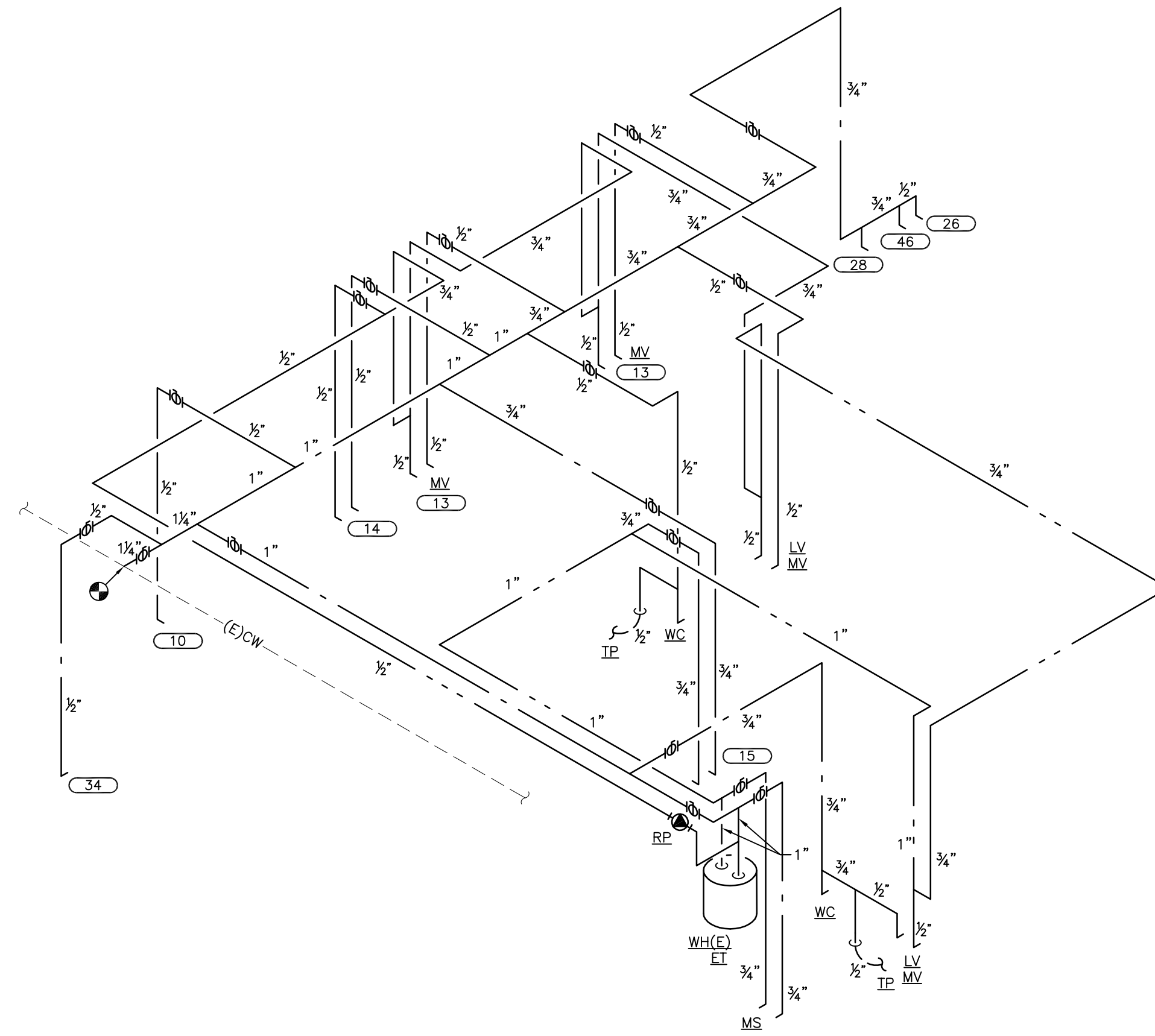
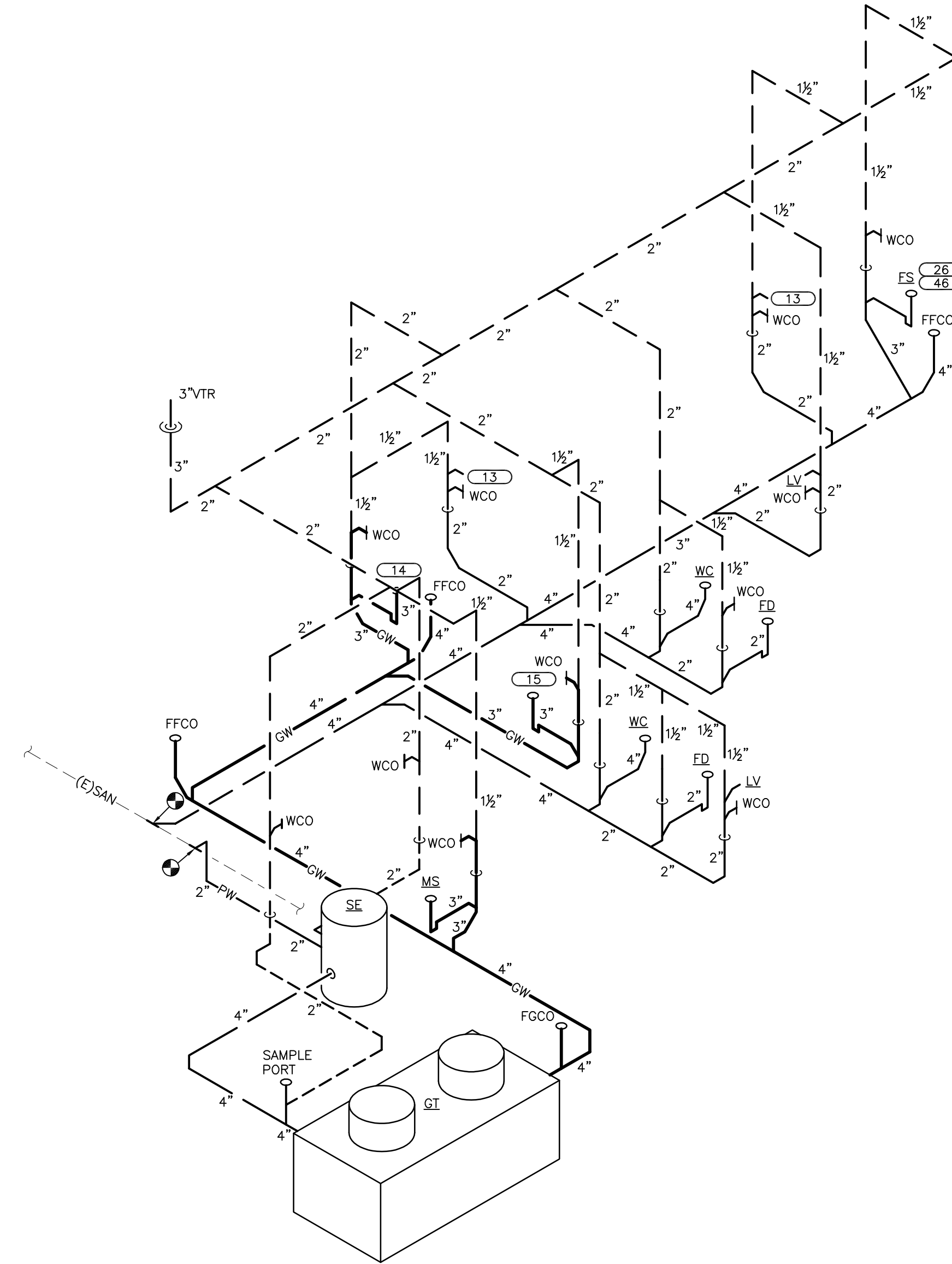


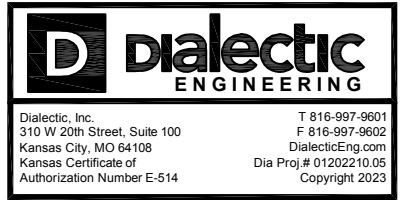
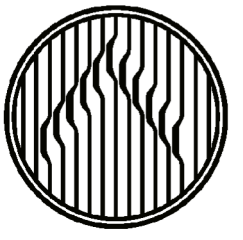
03 PLUMBING RISER - GAS
NOT TO SCALE



02 PLUMBING RISER - WATER
NOT TO SCALE



01 PLUMBING RISER - WASTE AND VENT
NOT TO SCALE



This sheet is part of the construction documents. Drawings, specifications and other sheets apply and shall be reviewed in their entirety. Use for determining construction and other conditions. Do not use for construction. For all modifications required to conform to site conditions, equipment and materials used, verify location and dimensions of all structural and structural elements per their respective documents, as these elements are shown only for reference, and require verification prior to fabrication or construction. Engineer has no liability for the accuracy of these associated elements, or for any work the engineer has not signed and sealed.



JERSEY MIKES - PRAIRIE VILLAGE
7628 State Line Road
Prairie Village, KS 66208

Description	Date
-------------	------

These drawings/specifications are the property of Oculus Inc. They are furnished as contract documents only. The user(s) and/or contractor(s) shall be responsible for all other plans, specifications, estimates, reports or other documents or instruments relating to or intended to be used for any part or parts of the architectural or engineering project. Additionally, these drawings and specifications shall in no way convey or imply any type of warranty or certification relating to the performance of products and materials beyond those provided by their respective manufacturer.
© 2022 Oculus Inc.



FOR PERMIT

Client Approval

PLUMBING RISERS

Project # 43422-KS04
Issue Date 01/30/2023
Scale As indicated
Drawn by WRD
Checked by NRP

P2.0